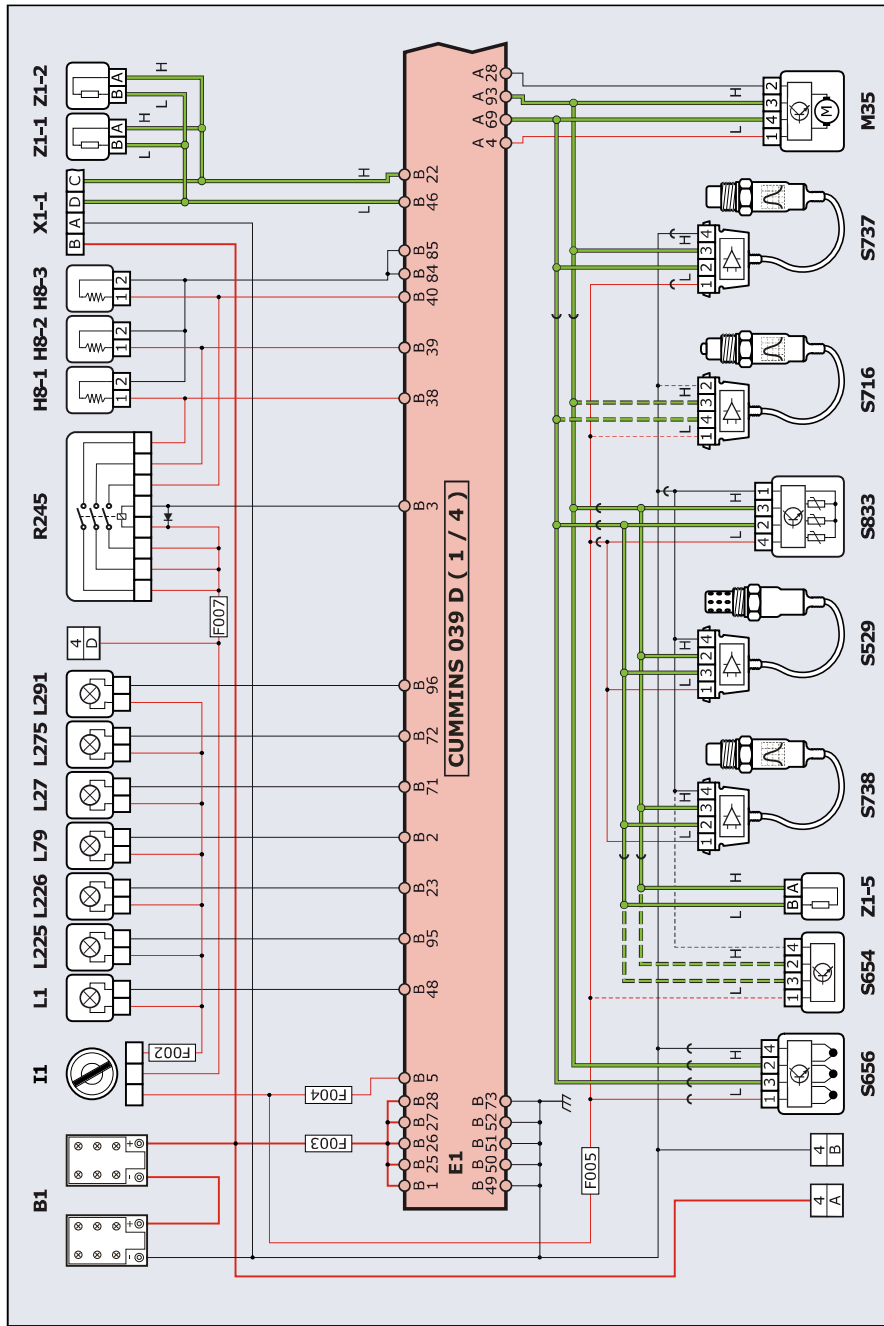
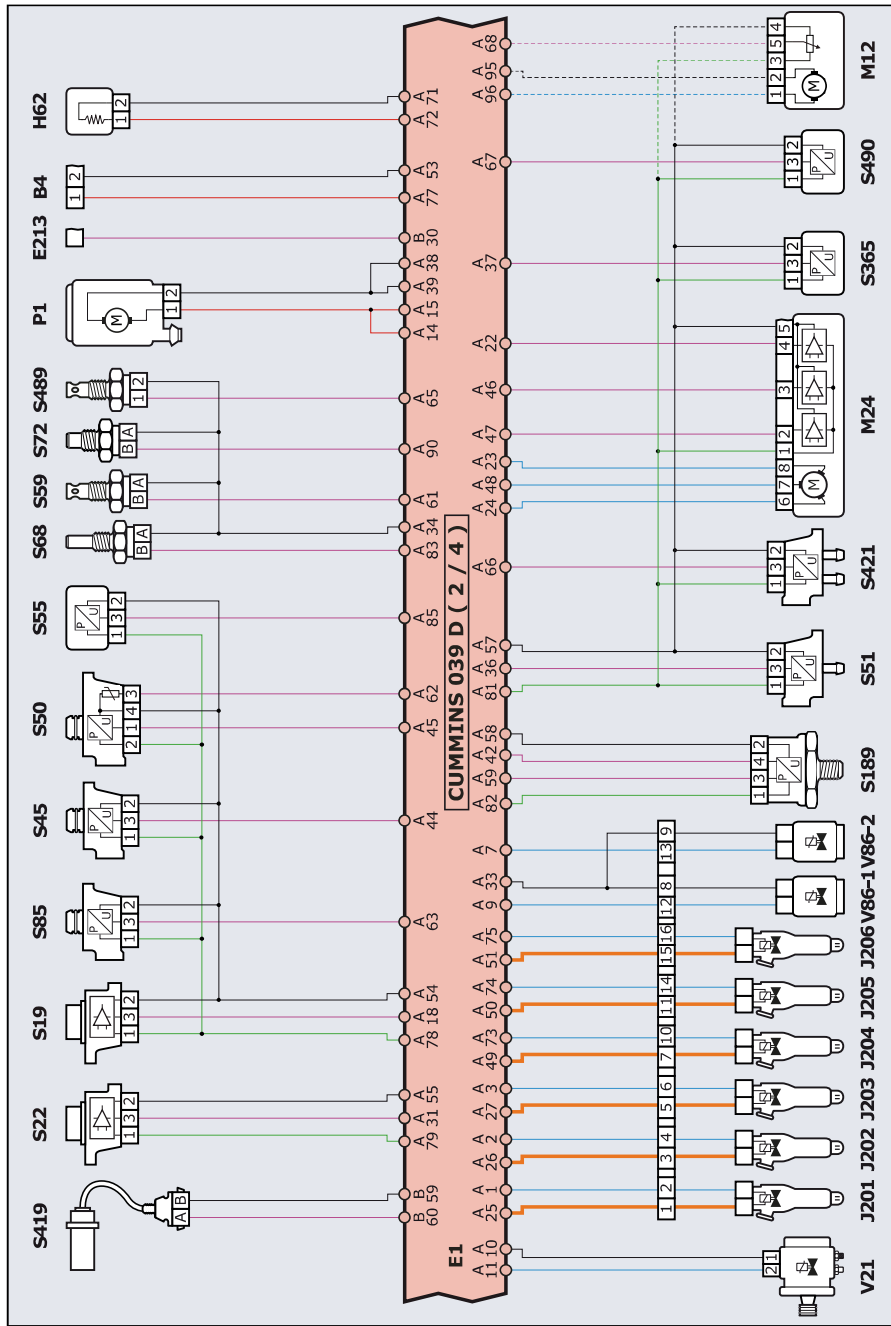


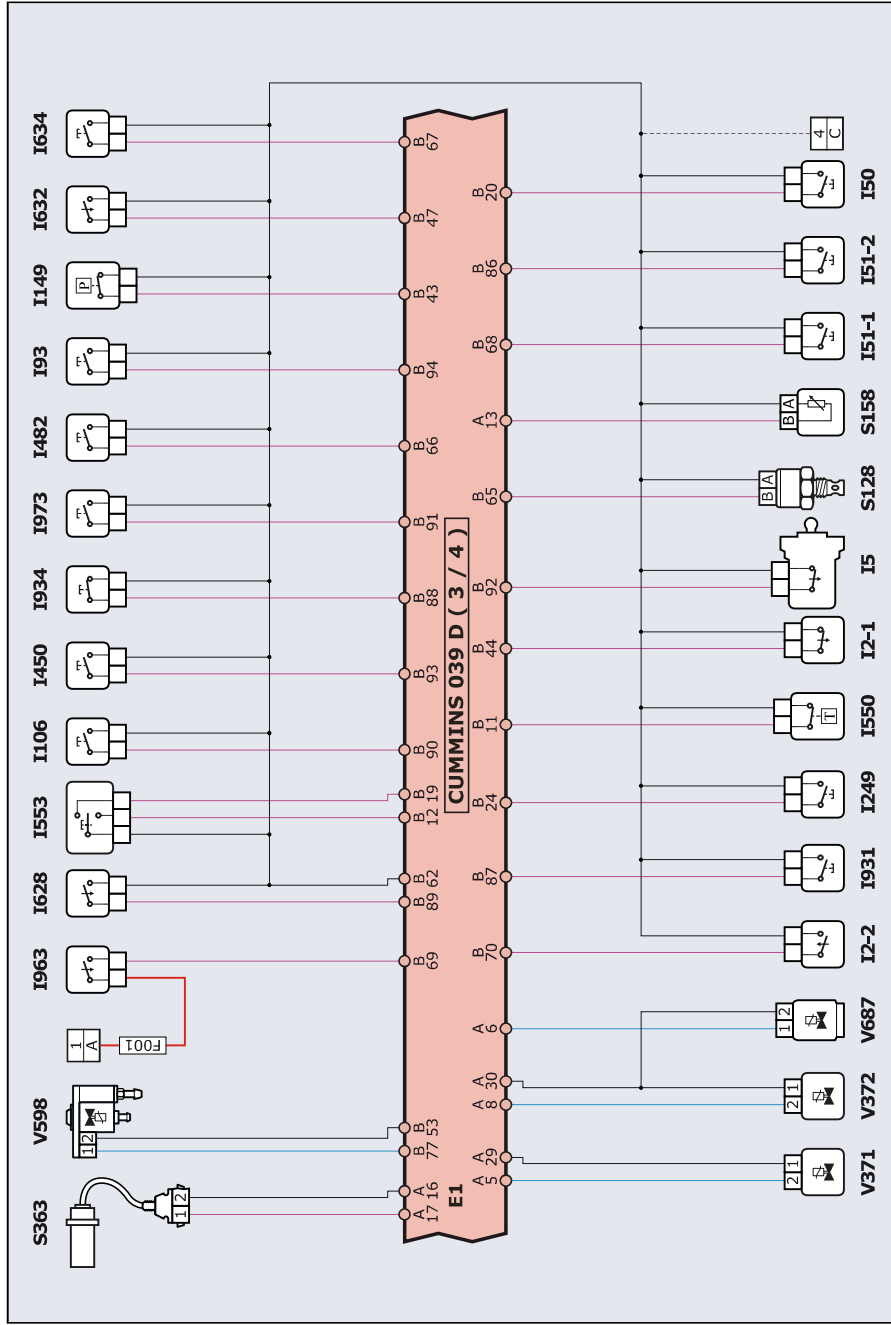
Heavy & Medium Duty/INTERNATIONAL/Cummins/---//CMMNS/  
Cummins/X12/-/-/CM2350



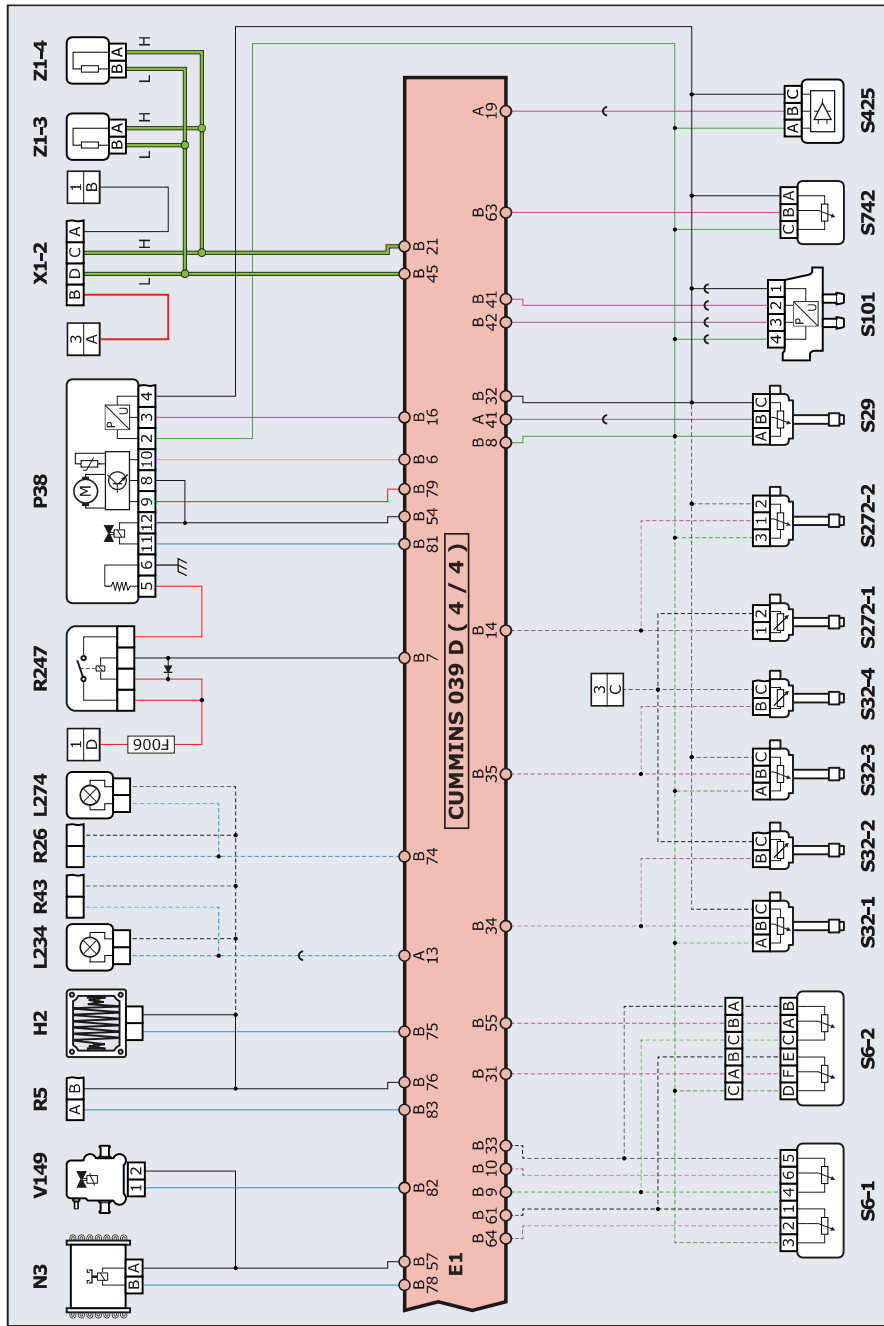
Heavy & Medium Duty/INTERNATIONAL/Cummins/---//CMMMS/  
Cummins/X12/-/-/CM2350



Heavy & Medium Duty/INTERNATIONAL/Cummins/---//CMMNS/  
Cummins/X12/-/-/CM2350



Heavy & Medium Duty/INTERNATIONAL/Cummins/---//CMMNS/  
Cummins/X12/-/-/CM2350



**Heavy & Medium Duty/INTERNATIONAL/Cummins/---//CMMNS/  
Cummins/X12/-/-/CM2350**

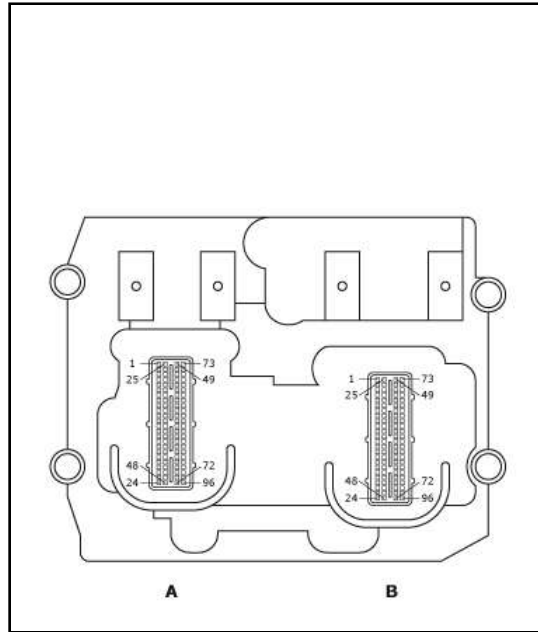
**Component list**

|       |  |
|-------|--|
| B1    | Starting battery                                 |
| B4    | Backup battery                                   |
| E1    | Engine management control unit                   |
| E213  | Analog rev indicator                             |
| F001  | Fuse amp not defined                             |
| F002  | Fuse amp not defined                             |
| F003  | 30 A fuse  |
| F004  | 5 A fuse   |
| F005  | 10 A fuse  |
| F006  | 15 A fuse  |
| F007  | 15 A fuse  |
| H2    | Grid heater                                      |
| H62   | Engine block oil heater                          |
| H8-1  | Reducing additive pipeline heater                |
| H8-2  | Reducing additive pipeline heater                |
| H8-3  | Reducing additive pipeline heater                |
| I1    | Ignition Switch                                  |
| I106  | Cruise control switch                            |
| I149  | A/C pressure switch                              |
| I2-1  | Brake pedal switch                               |
| I2-2  | Brake pedal switch                               |
| I249  | Emergency mode switch                            |
| I450  | Engine torque limitation switch                  |
| I482  | Engine speed setting switch                      |
| I5    | Clutch pedal switch                              |
| I50   | Parking brake switch                             |
| I51-1 | Engine brake switch                              |
| I51-2 | Engine brake switch                              |
| I550  | Engine cooling fan switch                        |
| I553  | Set and resume speed switch                      |
| I628  | Air shut-off solenoid valve test switch          |
| I632  | Engine protection switch                         |
| I634  | External accelerator enabling switch             |
| I93   | Power take-off switch                            |
| I931  | Particulate filter regeneration disabling switch |
| I934  | Override switch                                  |
| I963  | Air cut-off switch                               |
| I973  | Reductant purge switch                           |
| J201  | Magnetic common rail injector of cylinder n. 1   |
| J202  | Magnetic common rail injector of cylinder n. 2   |
| J203  | Magnetic common rail injector of cylinder n. 3   |
| J204  | Magnetic common rail injector of cylinder n. 4   |
| J205  | Cylinder 5 magnetic common rail injector         |

|        |   |
|--------|---|
| J206   | Cylinder 6 magnetic common rail injector                    |
| L1     | Engine malfunction indicator lamp MIL                       |
| L225   | Exhaust gas overheating warning light                       |
| L226   | Particulate filter regeneration warning light               |
| L234   | Battery indicator light                                     |
| L27    | Engine shutdown warning light                               |
| L274   | Air shut-off solenoid valve position warning light          |
| L275   | Engine fault warning light                                  |
| L291   | Wait-to-start warning light                                 |
| L79    | Reducing additive level light                               |
| M12    | Intake manifold throttle valve motor with potentiometer     |
| M24    | Rotary EGR valve control motor with digital position sensor |
| M35    | Variable geometry turbine adjustment motor module           |
| N3     | Engine cooling fan clutch solenoid                          |
| P1     | Fuel pump   |
| P38    | Additive pump module with pressure sensor                   |
| PS     | The dotted connections may not be present                   |
| R245   | Reducing additive pipeline heater relay                     |
| R247   | Reducing additive dosing module heater relay                |
| R26    | Idle stop disable relay                                     |
| R43    | Stop lights relay   |
| R5     | Immobilizer relay   |
| S101   | Particulate filter exhaust gas differential pressure sensor |
| S128   | Outside air temperature sensor                              |
| S158   | Water-in-fuel sensor  |
| S189   | High pressure fuel sensor                                   |
| S19    | Hall timing sensor  |
| S22    | Hall effect speed sensor                                    |
| S272-1 | Reducing additive level sensor                              |
| S272-2 | Reducing additive level sensor                              |
| S29    | Fuel level sensor   |
| S32-1  | Coolant level sensor  |
| S32-2  | Coolant level sensor  |
| S32-3  | Coolant level sensor  |
| S32-4  | Coolant level sensor  |
| S363   | Turbine speed sensor  |
| S365   | Particulate filter meter fuel input pressure sensor         |
| S419   | Vehicle speed sensor  |
| S421   | Exhaust gas recirculation differential pressure sensor      |
| S425   | Engine cooling fan speed sensor                             |
| S45    | Atmospheric pressure sensor                                 |
| S489   | Exhaust gas recirculation temperature sensor                |
| S490   | Exhaust gas recirculation pressure sensor                   |
| S50    | Boost pressure and temperature sensor                       |
| S51    | Exhaust gas pressure sensor                                 |
| S529   | Ammonia probe   |
| S55    | Oil pressure sensor   |

|       |  |
|-------|--|
| S59   | Intake air temperature sensor                                  |
| S6-1  | Accelerator dual potentiometer                                 |
| S6-2  | Accelerator dual potentiometer                                 |
| S654  | Reducing additive level and quality, temperature sensor module |
| S656  | Exhaust gas temperature sensor module                          |
| S68   | Coolant temperature sensor                                     |
| S716  | Particulate probe  |
| S72   | Oil temperature sensor   |
| S737  | NOx sensor upstream of the SCR catalyst                        |
| S738  | NOx sensor downstream of the SCR catalyst                      |
| S742  | External accelerator potentiometer                             |
| S833  | SCR catalyst exhaust gas temperature sensor module             |
| S85   | Crankcase oil vapor pressure sensor                            |
| V149  | Additive tank heating solenoid valve                           |
| V21   | High pressure fuel metering solenoid valve                     |
| V371  | Particulate filter fuel meter solenoid valve                   |
| V372  | Particulate filter fuel cut-off solenoid valve                 |
| V598  | Reducing additive dosing module solenoid valve                 |
| V687  | Reducing additive air bleed solenoid valve                     |
| V86-1 | Engine brake solenoid valve                                    |
| V86-2 | Engine brake solenoid valve                                    |
| X1-1  | Diagnostic socket  |
| X1-2  | Diagnostic socket  |
| Z1-1  | Terminating resistor   |
| Z1-2  | Terminating resistor   |
| Z1-3  | Terminating resistor   |
| Z1-4  | Terminating resistor   |
| Z1-5  | Terminating resistor   |

Heavy & Medium Duty/INTERNATIONAL/Cummins/---//CMMNS/  
Cummins/X12/-/-/CM2350



Control unit side connector pinout

A = 96 (J1)

B = 96 (J2)