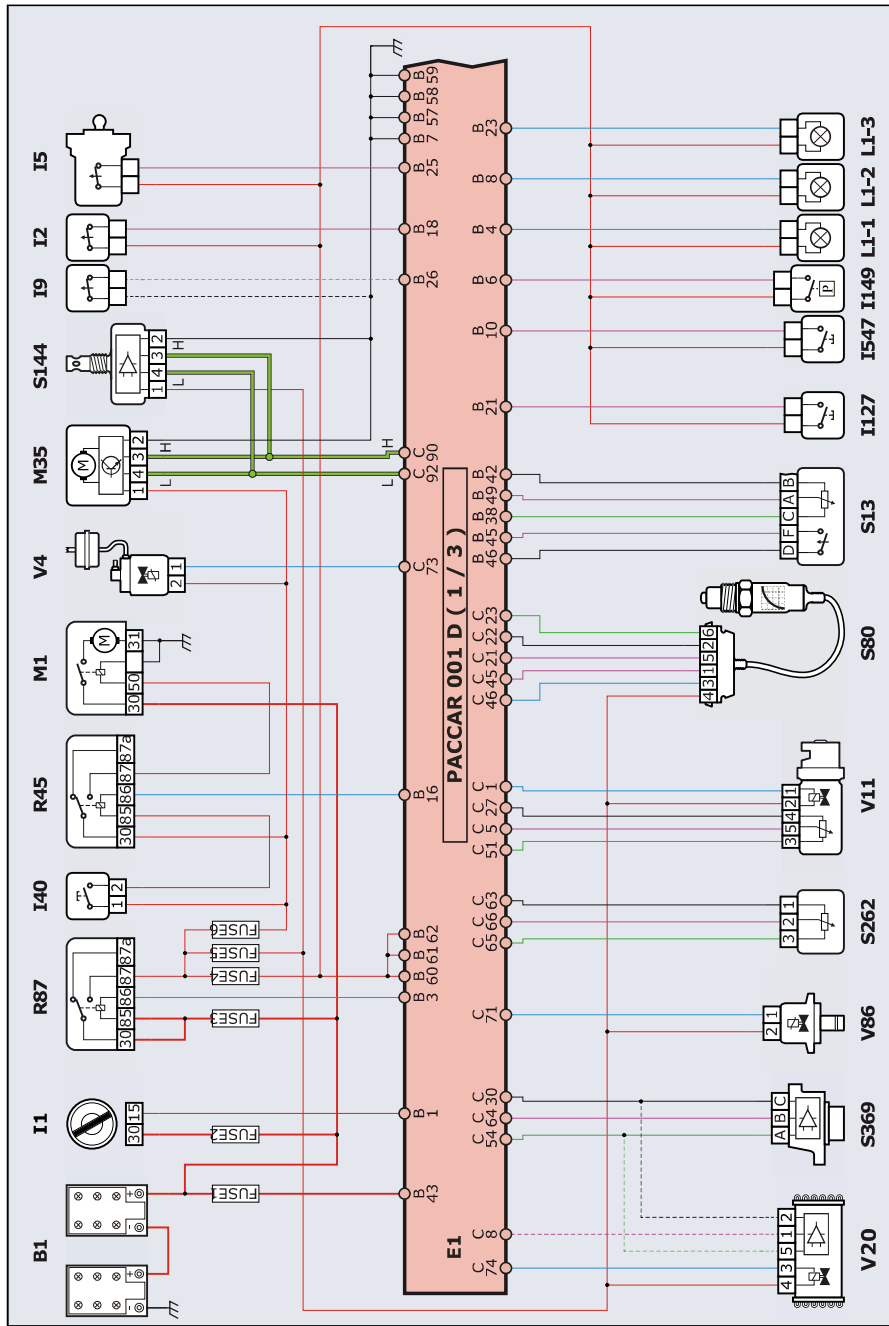
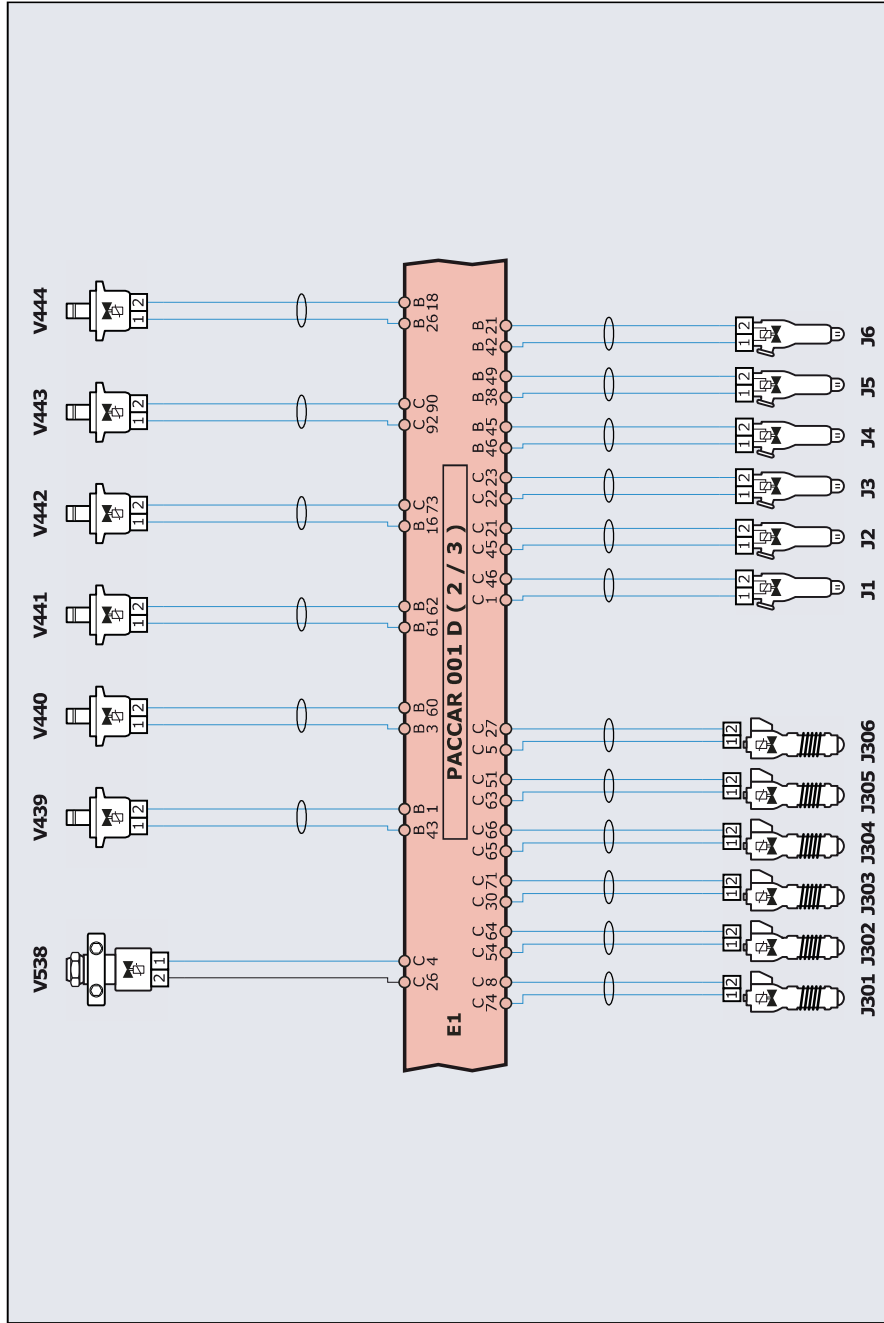


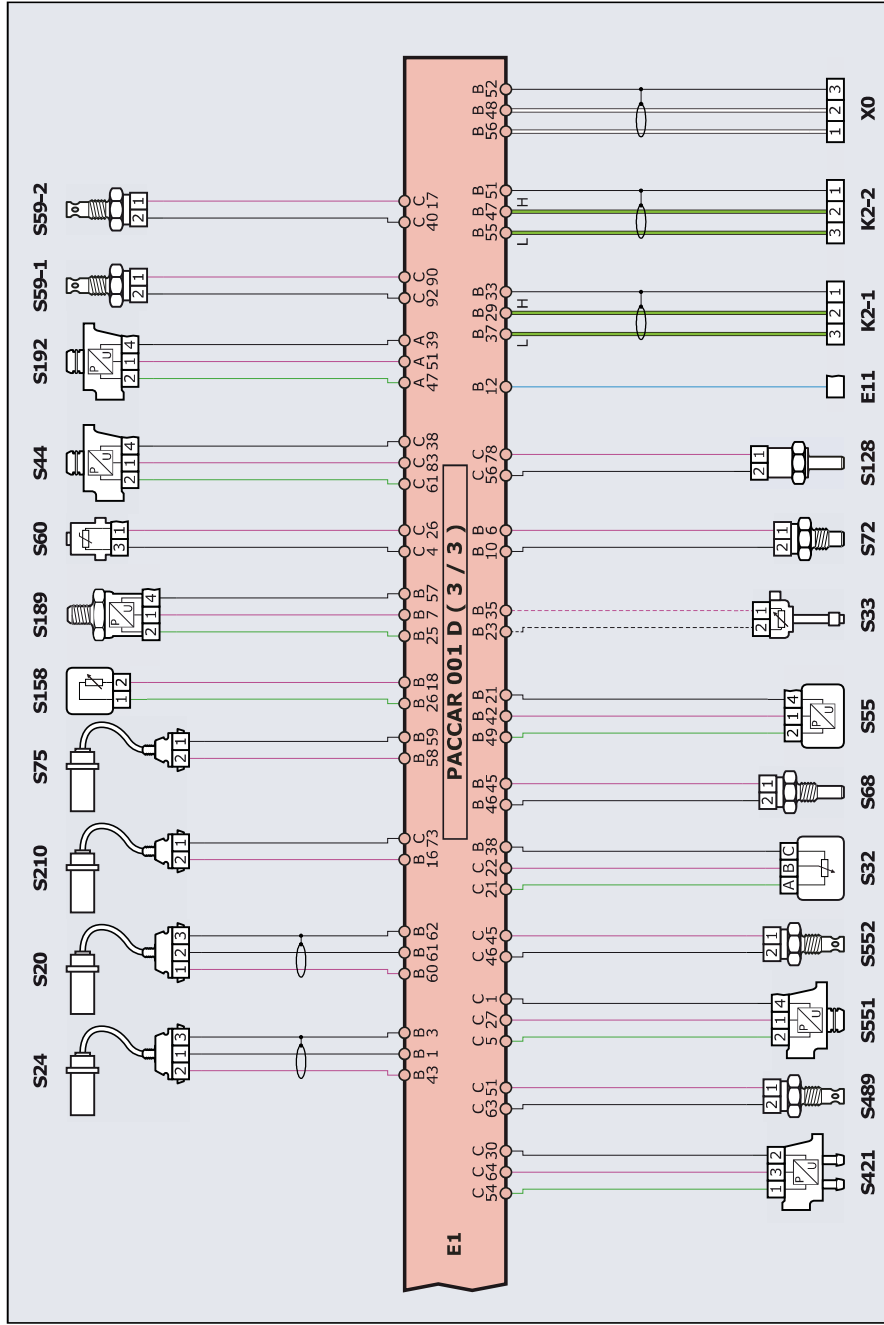
Heavy & Medium Duty//KENWORTH/Paccar/Heavy Duty//PACCCR/
Delphi/PMCI 2/EPA 10 → EPA 13/-/-



Heavy & Medium Duty/KENWORTH/Paccar/Heavy Duty//PACCR/
Delphi/PMCI 2/EPA 10 → EPA 13/-/-



Heavy & Medium Duty//KENWORTH/Paccar/Heavy Duty//PACCCR/
Delphi/PMCI 2/EPA 10 → EPA 13/-/-



**Heavy & Medium Duty/KENWORTH/Paccar/Heavy Duty//PACCR/
Delphi/PMCI 2/EPA 10 → EPA 13/-/-**

Component list

B1	Starting battery
E1	Engine management control unit
E11	Instrument panel control unit
FUSE1	Fuse amp not defined
FUSE2	Fuse amp not defined
FUSE3	Fuse amp not defined
FUSE4	Fuse amp not defined
FUSE5	Fuse amp not defined
FUSE6	Fuse amp not defined
I1	Ignition Switch
I127	Rear PTO speed selection switch
I149	A/C pressure switch
I2	Brake pedal switch
I40	Engine start switch
I5	Clutch pedal switch
I547	Multi speed axle control switch
I9	Neutral position switch
J1	Cylinder 1 magnetic injector
J2	Cylinder 2 magnetic injector
J3	Cylinder 3 magnetic injector
J301	Unit pump solenoid valve, cylinder 1
J302	Unit pump solenoid valve, cylinder 2
J303	Unit pump solenoid valve, cylinder 3
J304	Unit pump solenoid valve, cylinder 4
J305	Unit pump solenoid valve, cylinder 5
J306	Unit pump solenoid valve, cylinder 6
J4	Cylinder 4 magnetic injector
J5	Cylinder 5 magnetic injector
J6	Cylinder 6 magnetic injector
K2-1	High speed CAN line
K2-2	High speed CAN line
L1-1	Engine malfunction indicator lamp MIL
L1-2	Engine malfunction indicator lamp MIL
L1-3	Engine malfunction indicator lamp MIL
M1	Starter motor
M35	Variable geometry turbine adjustment motor module
PS	The dotted connections may not be present
R45	Starter motor relay
R87	Main relay
S128	Outside air temperature sensor
S13	Accelerator pedal potentiometer with idle switch
S144	Intake air humidity and temperature sensor
S158	Water-in-fuel sensor

S189	High pressure fuel sensor
S192	Boost pressure sensor
S20	Inductive phase sensor
S210	Variable geometry turbine inductive speed sensor
S24	Inductive RPM sensor
S262	Engine brake valve position sensor
S32	Coolant level sensor
S33	Oil level sensor
S369	Coolant pump speed sensor
S421	Exhaust gas recirculation differential pressure sensor
S44	Intake air pressure sensor
S489	Exhaust gas recirculation temperature sensor
S55	Oil pressure sensor
S551	Exhaust gas pressure sensor downstream of the backpressure valve
S552	Exhaust gas temperature sensor downstream of the backpressure valve
S59-1	Intake air temperature sensor
S59-2	Intake air temperature sensor
S60	Fuel temperature sensor
S68	Coolant temperature sensor
S72	Oil temperature sensor
S75	Vehicle speed inductive sensor
S80	Broad band lambda probe
V11	EGR solenoid valve with potentiometer
V20	Engine cooling fan control solenoid valve with Hall speed sensor
V4	Intake manifold valve
V439	Engine brake solenoid valve, cylinder 1
V440	Engine brake solenoid valve, cylinder 2
V441	Engine brake solenoid valve, cylinder 3
V442	Engine brake solenoid valve, cylinder 4
V443	Engine brake solenoid valve, cylinder 5
V444	Engine brake solenoid valve, cylinder 6
V538	Cold start ether injection solenoid valve
V86	Engine brake solenoid valve
X0	Interconnection plug