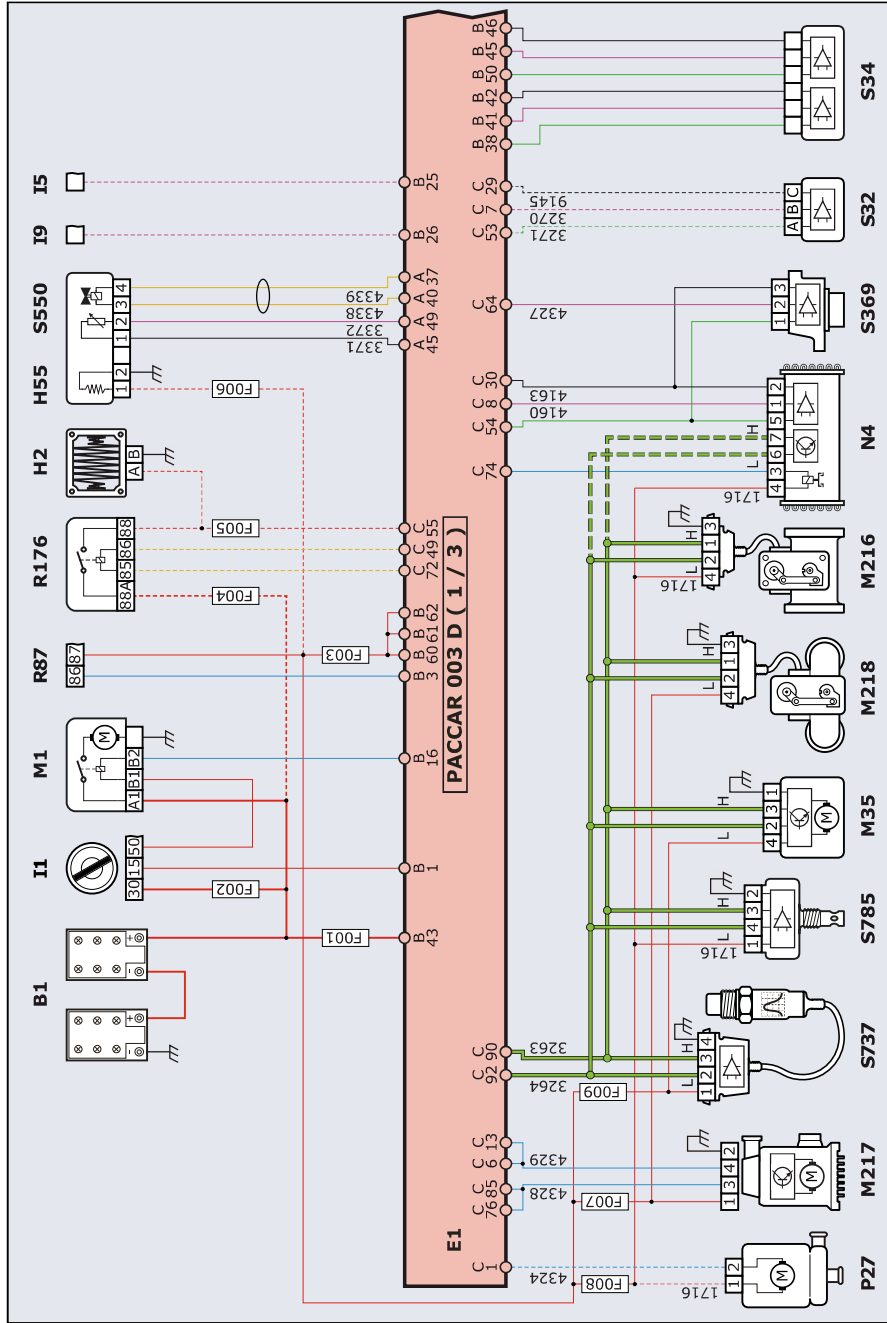
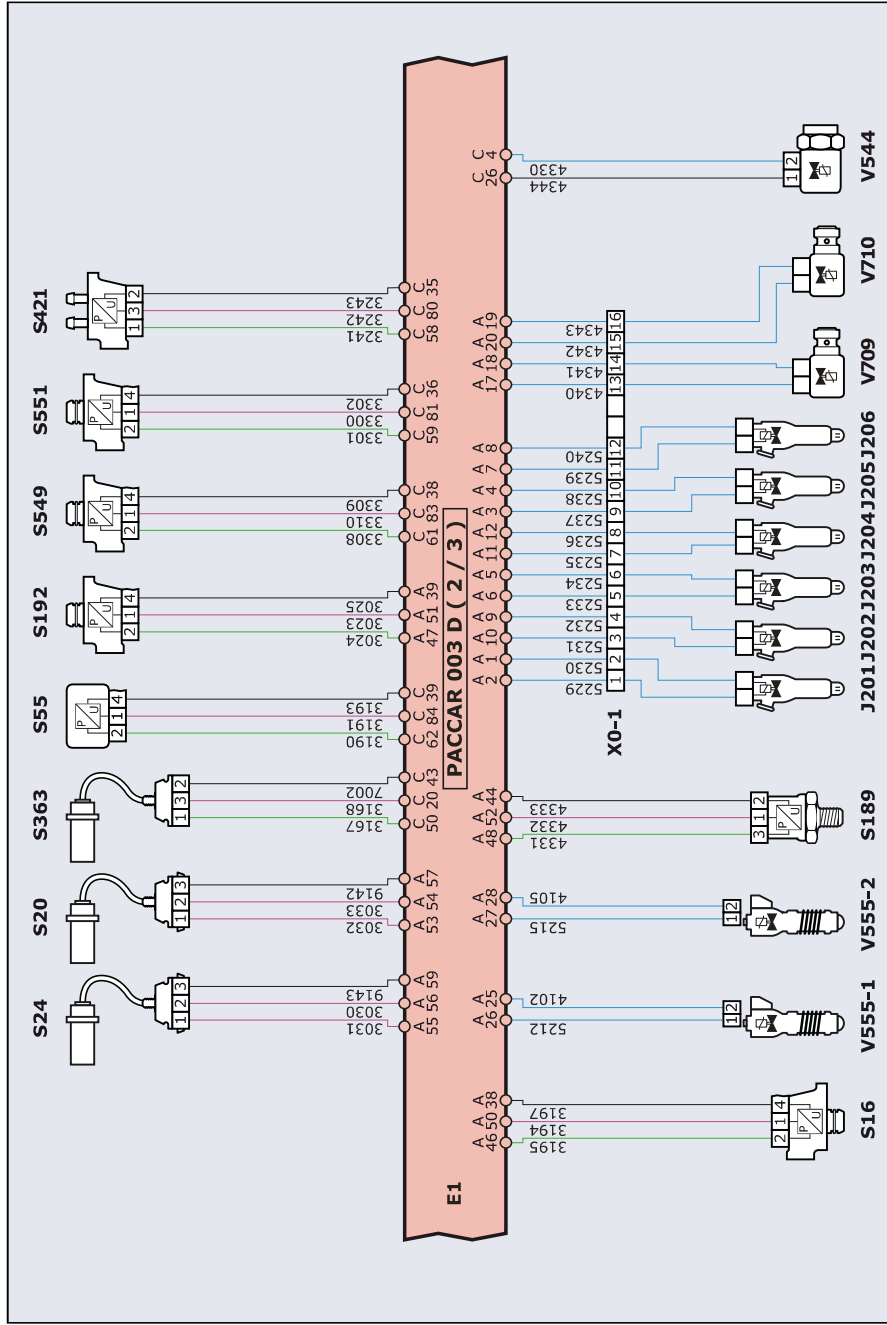


Heavy & Medium Duty/KENWORTH/Paccar/Heavy Duty//PACCR/
Delphi/PCI/GHG 17 → GHG 21/-/-



Heavy & Medium Duty/KENWORTH/Paccar/Heavy Duty//PACCR/
Delphi/PCI/GHG 17 → GHG 21/-/-



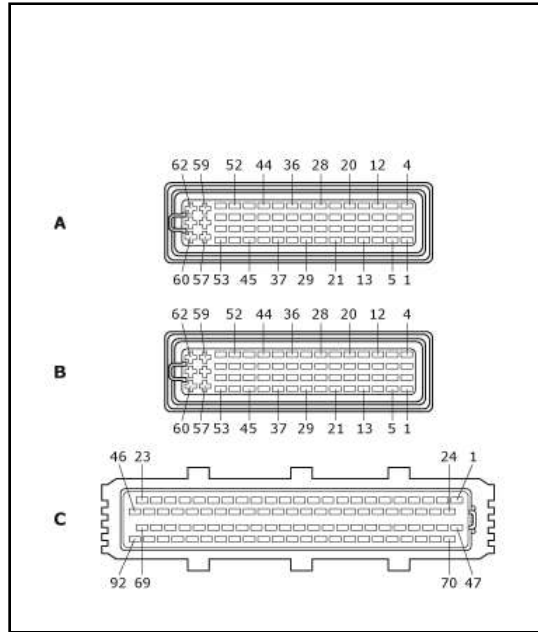
**Heavy & Medium Duty/KENWORTH/Paccar/Heavy Duty//PACCR/
Delphi/PCI/GHG 17 → GHG 21/-/-**

Component list

B1	Starting battery
E1	Engine management control unit
E11	Instrument panel control unit
E432	Vehicle electronic control unit
E54	Exhaust gas after treatment electronic control unit
F001	Fuse amp not defined
F002	Fuse amp not defined
F003	Fuse amp not defined
F004	Fuse amp not defined
F005	Fuse amp not defined
F006	Fuse amp not defined
F007	Fuse amp not defined
F008	Fuse amp not defined
F009	Fuse amp not defined
H2	Grid heater
H55	Fuel heater
I1	Ignition Switch
I106	Cruise control switch
I127	Rear PTO speed selection switch
I233	Trailer parking brake switch
I450	Engine torque limitation switch
I5	Clutch pedal switch
I547	Multi speed axle control switch
I550	Engine cooling fan switch
I9	Neutral position switch
J201	Magnetic common rail injector of cylinder n. 1
J202	Magnetic common rail injector of cylinder n. 2
J203	Magnetic common rail injector of cylinder n. 3
J204	Magnetic common rail injector of cylinder n. 4
J205	Cylinder 5 magnetic common rail injector
J206	Cylinder 6 magnetic common rail injector
K2	High speed CAN line
M1	Starter motor
M216	Backpressure valve motor module
M217	Crankcase ventilation motor module
M218	EGR valve motor module
M35	Variable geometry turbine adjustment motor module
N4	Engine cooling fan clutch engagement magnet with digital position sensor
P27	Coolant pump
PS	The dotted connections may not be present
R176	Grid heater relay
R87	Main relay
S16	Low pressure fuel sensor

S189	High pressure fuel sensor
S192	Boost pressure sensor
S20	Inductive phase sensor
S24	Inductive RPM sensor
S32	Coolant level sensor
S33	Oil level sensor
S34	Electronic accelerator pedal sensor
S363	Turbine speed sensor
S369	Coolant pump speed sensor
S397	Crankshaft RPM sensor
S419	Vehicle speed sensor
S421	Exhaust gas recirculation differential pressure sensor
S489	Exhaust gas recirculation temperature sensor
S491	Boost air temperature downstream of the intercooler
S549	Exhaust gas pressure sensor upstream of the turbine
S55	Oil pressure sensor
S550	Water drain solenoid valve and water-in-fuel sensor assembly
S551	Exhaust gas pressure sensor downstream of the backpressure valve
S552	Exhaust gas temperature sensor downstream of the backpressure valve
S60	Fuel temperature sensor
S68	Coolant temperature sensor
S72	Oil temperature sensor
S73	Boost temperature sensor
S737	NOx sensor upstream of the SCR catalyst
S785	Humidity sensor, intake air temperature and pressure sensor
V544	Common rail overpressure solenoid valve
V555-1	Common rail pump unit flow control solenoid valve
V555-2	Common rail pump unit flow control solenoid valve
V709	Compression release engine brake solenoid valve, cylinders 1 2 3
V710	Compression release engine brake solenoid valve, cylinders 4 5 6
X0-1	Interconnection plug
X0-2	Interconnection plug
X59	PTO accelerator and external command connector

Heavy & Medium Duty/KENWORTH/Paccar/Heavy Duty//PACCR/
Delphi/PCI/GHG 17 → GHG 21/-/-



Wiring side connector pinout

C = 92 (J3)

A = 62 (J1)

B = 62 (J2)