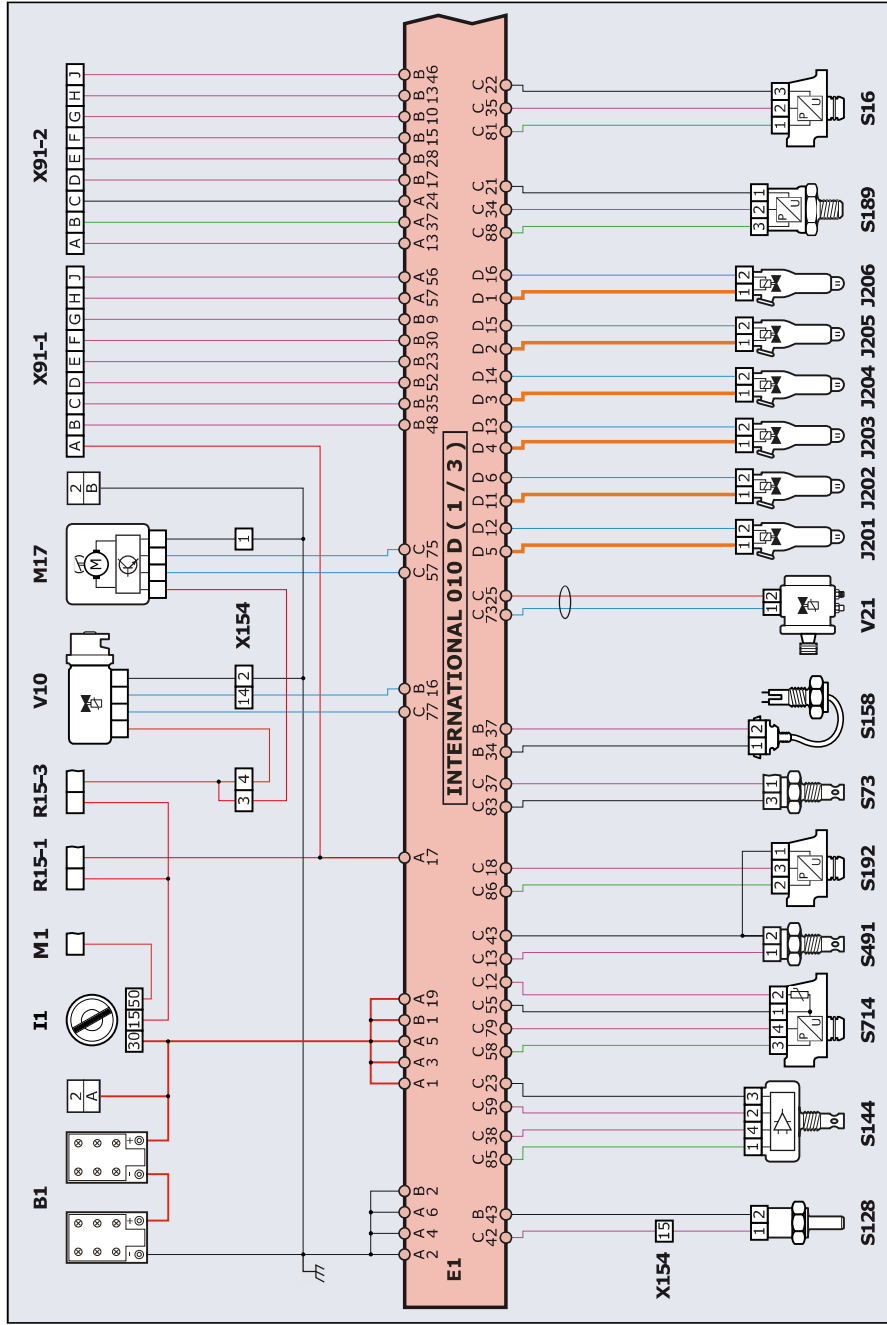
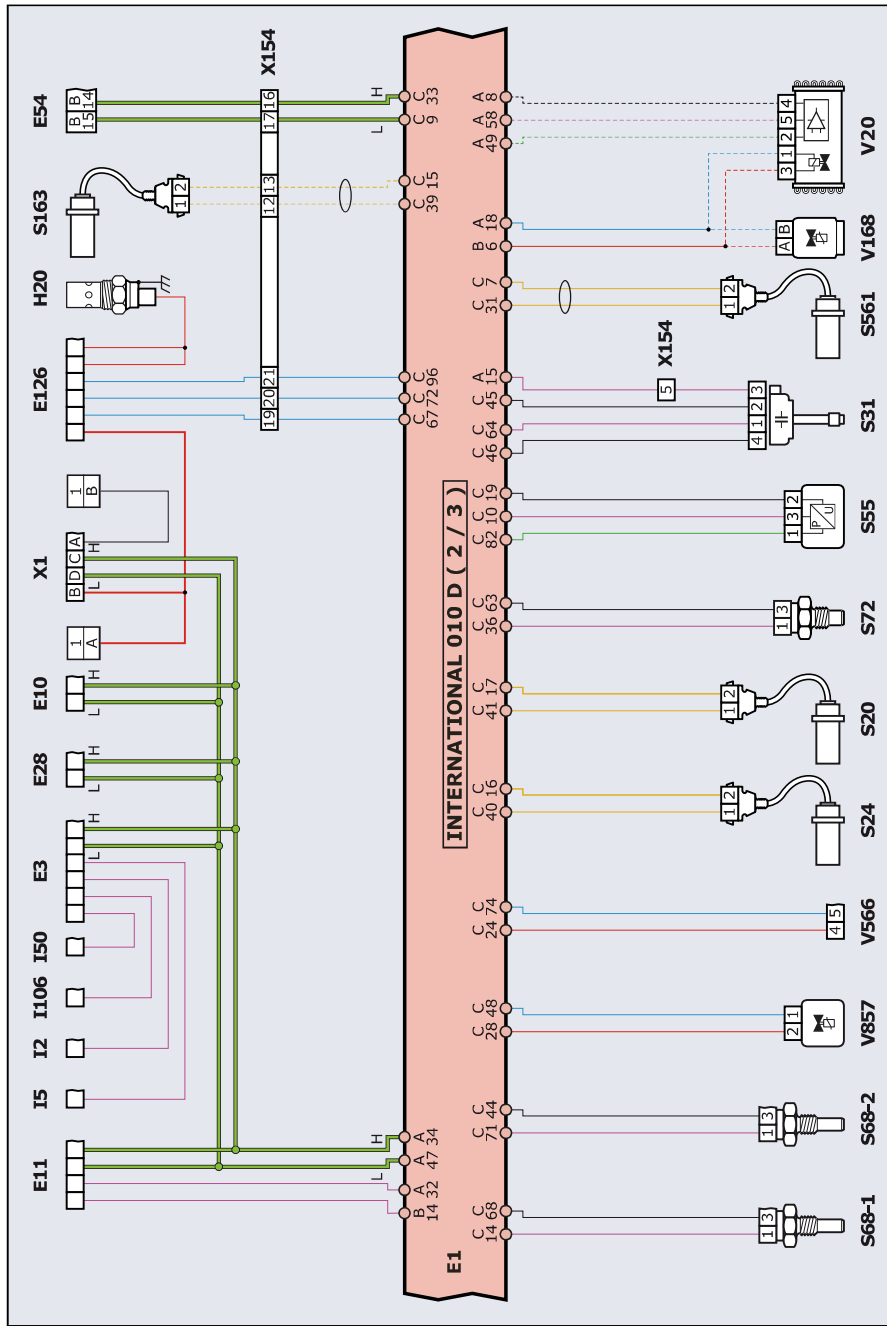


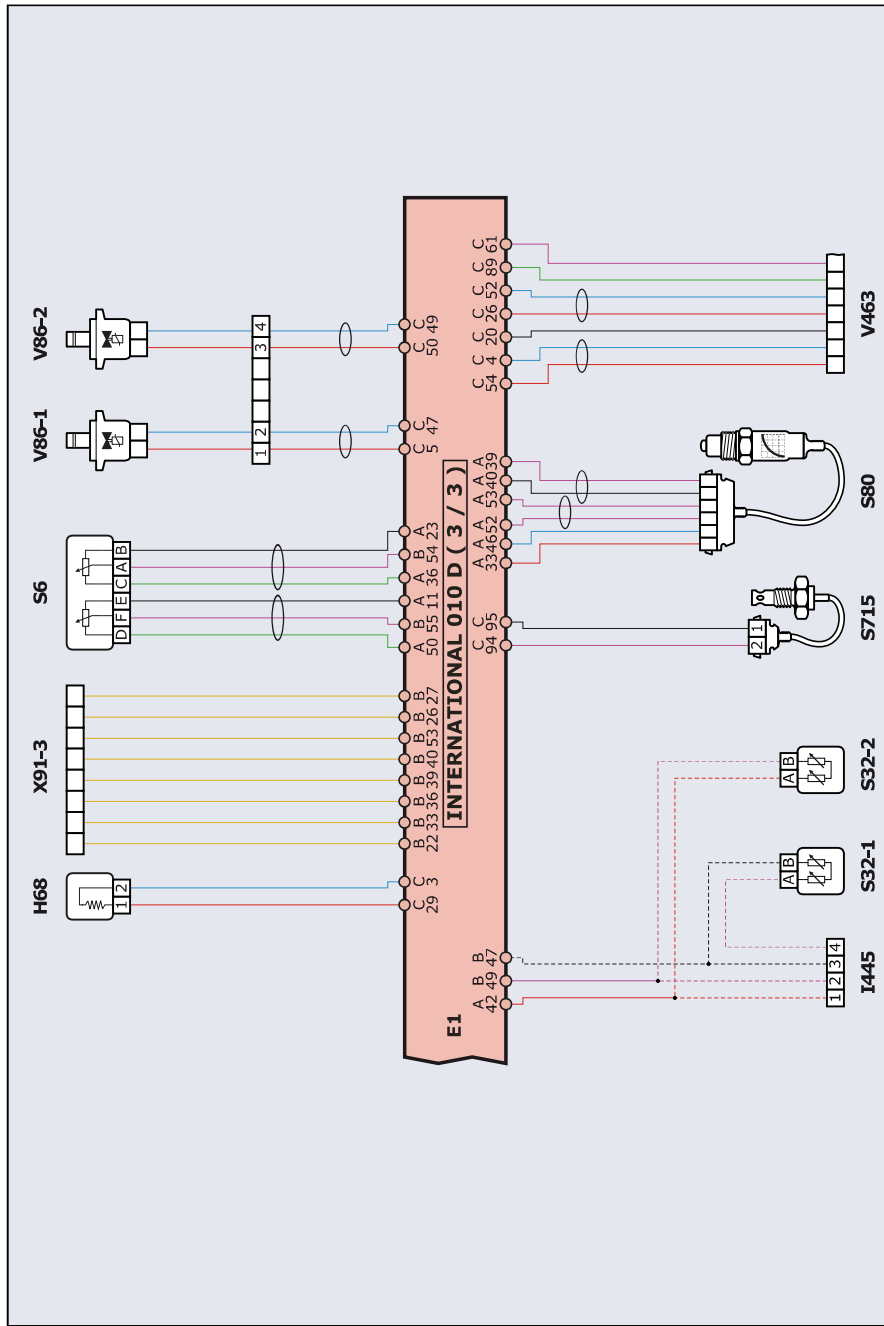
Heavy & Medium Duty//INTERNATIONAL/International (Navistar-MaxxForce)/---//INT/  
International/Navistar-MaxxForce/-/[--/13>--/14]/N13



Heavy & Medium Duty//INTERNATIONAL/International (Navistar-MaxxForce)/---//INT/  
International/Navistar-MaxxForce/-/[--/13>--/14]/N13



Heavy & Medium Duty/INTERNATIONAL/International (Navistar-MaxxForce)/---//INT/  
International/Navistar-MaxxForce/-/[--/13>--/14]/N13

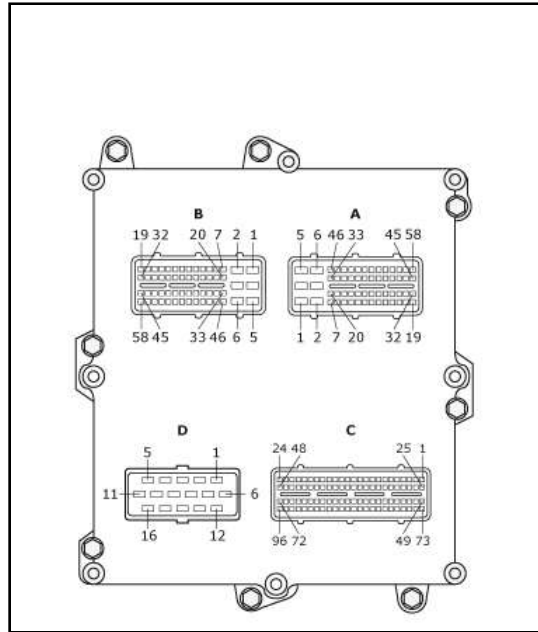


**Heavy & Medium Duty/INTERNATIONAL/International (Navistar-MaxxForce)/---//INT/  
International/Navistar-MaxxForce/-/[--/13>--/14]/N13**
**Component list**

B1	Starting battery
E1	Engine management control unit
E10	ABS control unit
E11	Instrument panel control unit
E126	Flame heater glow plug control module
E28	Automatic transmission control unit
E3	Body computer
E54	Exhaust gas after treatment electronic control unit
H20	Flame glow plug
H68	Intake air heater
I1	Ignition Switch
I106	Cruise control switch
I2	Brake pedal switch
I445	Coolant level module
I5	Clutch pedal switch
I50	Parking brake switch
J201	Magnetic common rail injector of cylinder n. 1
J202	Magnetic common rail injector of cylinder n. 2
J203	Magnetic common rail injector of cylinder n. 3
J204	Magnetic common rail injector of cylinder n. 4
J205	Cylinder 5 magnetic common rail injector
J206	Cylinder 6 magnetic common rail injector
M1	Starter motor
M17	Intake manifold throttle motor module
PS	The dotted connections may not be present
R15-1	Terminal 15 relay
R15-3	Terminal 15 relay
S128	Outside air temperature sensor
S144	Intake air humidity and temperature sensor
S158	Water-in-fuel sensor
S16	Low pressure fuel sensor
S163	Transmission output shaft speed (rpm) sensor
S189	High pressure fuel sensor
S192	Boost pressure sensor
S20	Inductive phase sensor
S24	Inductive RPM sensor
S31	Oil level and temperature sensor
S32-1	Coolant level sensor
S32-2	Coolant level sensor
S491	Boost air temperature downstream of the intercooler
S55	Oil pressure sensor
S561	Crankcase oil separator inductive speed sensor
S6	Accelerator dual potentiometer

S68-1	Coolant temperature sensor
S68-2	Coolant temperature sensor
S714	Low pressure turbine boost pressure sensor
S715	EGR Exhaust Gas Recirculation cooling temperature sensor
S72	Oil temperature sensor
S73	Boost temperature sensor
S80	Broad band lambda probe
V10	EGR solenoid valve
V168	Engine cooling fan control solenoid valve
V20	Engine cooling fan control solenoid valve with Hall speed sensor
V21	High pressure fuel metering solenoid valve
V463	Wastegate control and exhaust flap solenoid module
V566	Coolant flow control solenoid valve
V857	Coolant mixing solenoid valve
V86-1	Engine brake solenoid valve
V86-2	Engine brake solenoid valve
X1	Diagnostic socket
X154	Engine wiring connector
X91-1	Body builder connector
X91-2	Body builder connector
X91-3	Body builder connector

Heavy & Medium Duty/INTERNATIONAL/International (Navistar-MaxxForce)/---//INT/  
International/Navistar-MaxxForce/-/[--/13>--/14]/N13



Control unit side connector pinout

A = 58

B = 58

D = 16

C = 96