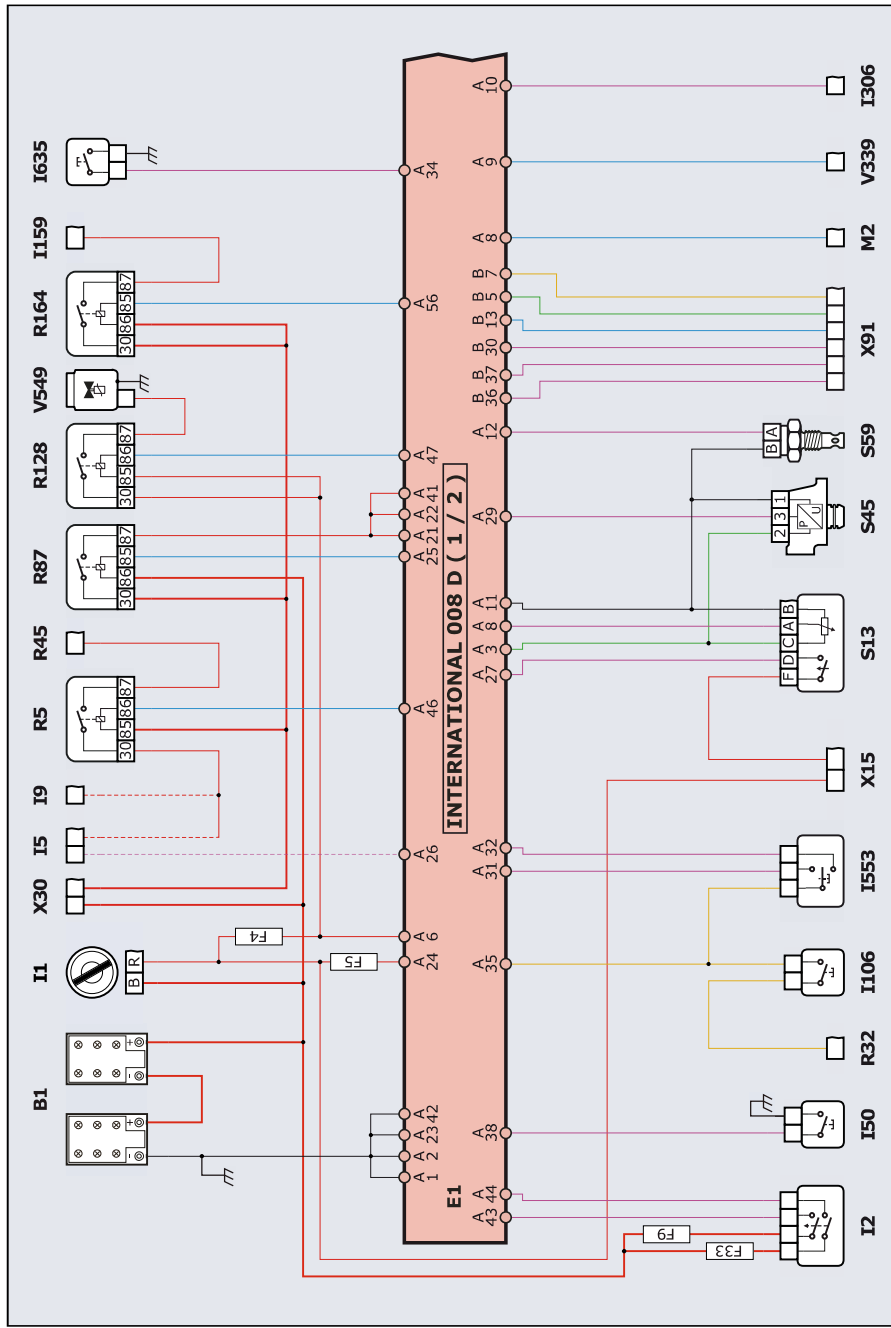
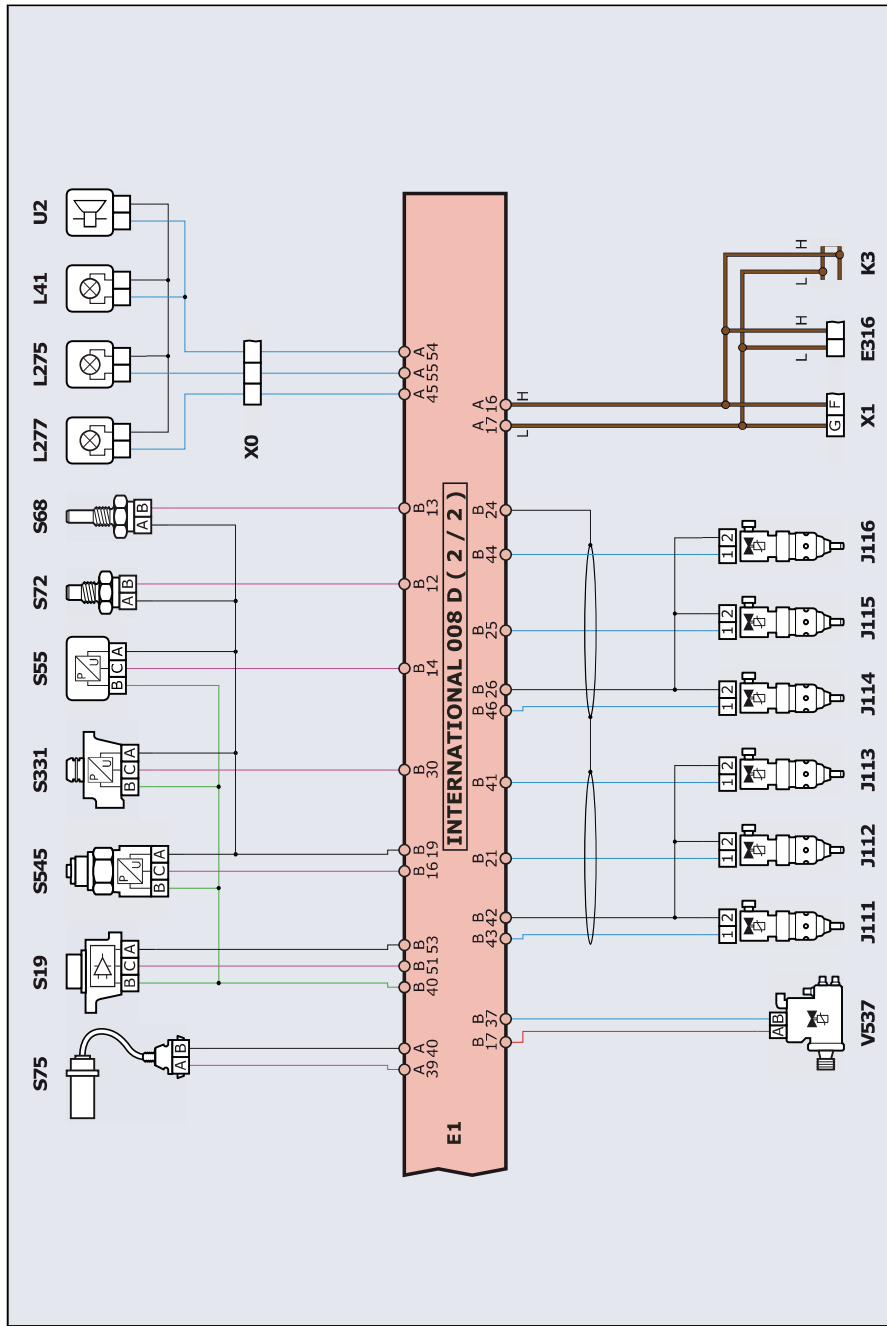


Heavy & Medium Duty/INTERNATIONAL/International (Navistar-MaxxForce)/---//INT/
International/Navistar-MaxxForce/-/[--/97>--/00]/DT466E



Heavy & Medium Duty/INTERNATIONAL/International (Navistar-MaxxForce)/---//INT/
International/Navistar-MaxxForce/-/[--/97>--/00]/DT466E



**Heavy & Medium Duty/INTERNATIONAL/International (Navistar-MaxxForce)/---//INT/
International/Navistar-MaxxForce/-/[--/97>--/00]/DT466E**
Component list

B1	Starting battery
E1	Engine management control unit
E316	Instrument panel display
F33	Fuse amp not defined
F4	Fuse amp not defined
F5	Fuse amp not defined
F9	Fuse amp not defined
I1	Ignition Switch
I106	Cruise control switch
I159	Gear shift lever
I2	Brake pedal switch
I306	Coolant level switch
I5	Clutch pedal switch
I50	Parking brake switch
I553	Set and resume speed switch
I635	Self test switch
I9	Neutral position switch
J111	Cylinder 1 hydraulically controlled magnetic injector
J112	Cylinder 2 hydraulically controlled magnetic injector
J113	Cylinder 3 hydraulically controlled magnetic injector
J114	Cylinder 4 hydraulically controlled magnetic injector
J115	Cylinder 5 hydraulically controlled magnetic injector
J116	Cylinder 6 hydraulically controlled magnetic injector
K3	Low speed CAN line
L275	Engine fault warning light
L277	Engine oil change warning light
L41	Oil pressure and engine temperature warning light
M2	Engine cooling fan motor
PS	The dotted connections may not be present
R128	Engine brake relay
R164	Diagnosis relay
R32	Speed control relay
R45	Starter motor relay
R5	Immobilizer relay
R87	Main relay
S13	Accelerator pedal potentiometer with idle switch
S19	Hall timing sensor
S331	Intake manifold air pressure sensor
S45	Atmospheric pressure sensor
S545	Hydraulically controlled injector high pressure oil sensor
S55	Oil pressure sensor
S59	Intake air temperature sensor
S68	Coolant temperature sensor

S72	Oil temperature sensor
S75	Vehicle speed inductive sensor
U2	Warning buzzer
V339	Radiator check solenoid valve
V537	Hydraulically operator injector oil delivery control solenoid valve
V549	Engine brake relief solenoid valve
X0	Interconnection plug
X1	Diagnostic socket
X15	Terminal 15 connector
X30	Pneumatic suspension driver seat connector
X91	Body builder connector