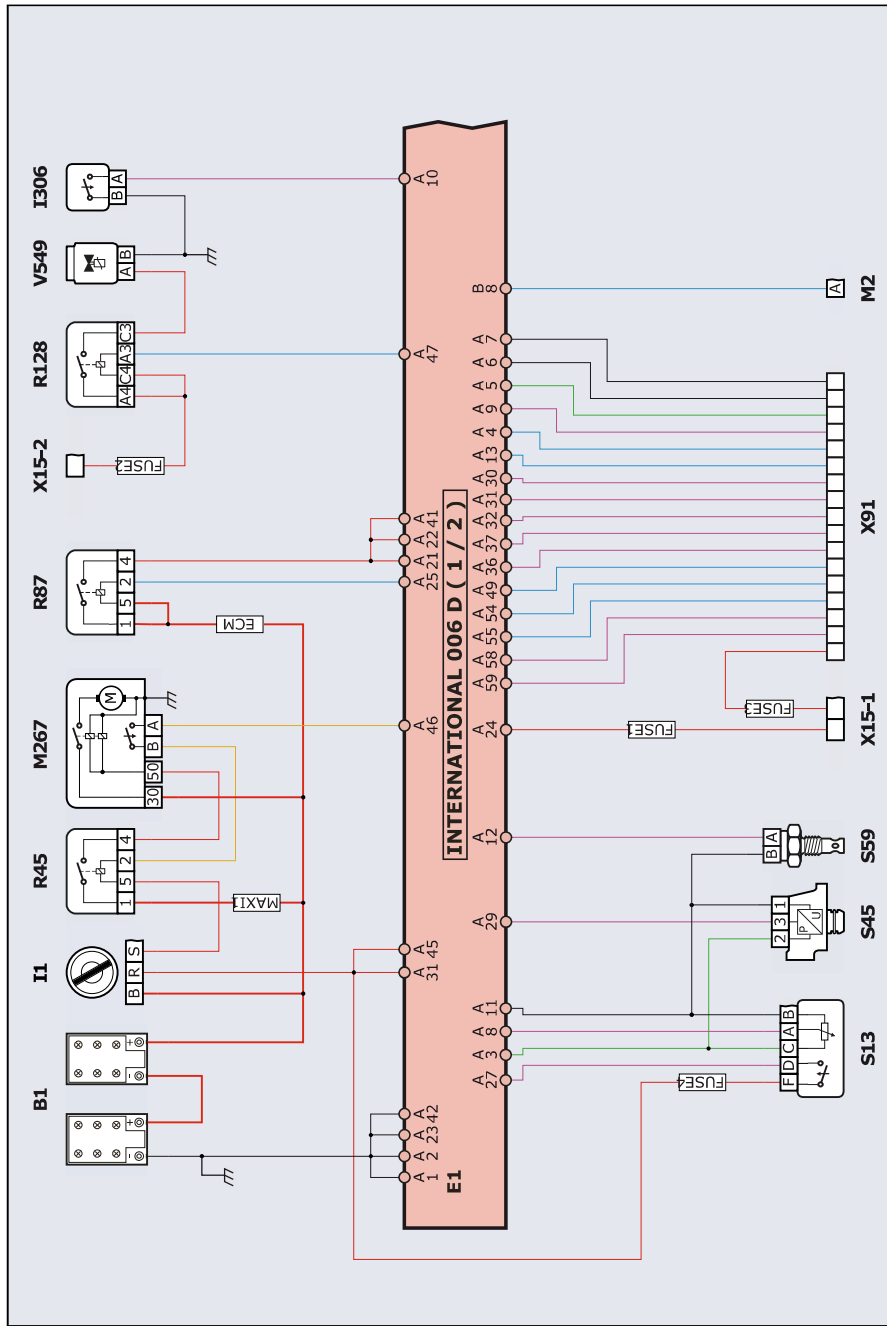
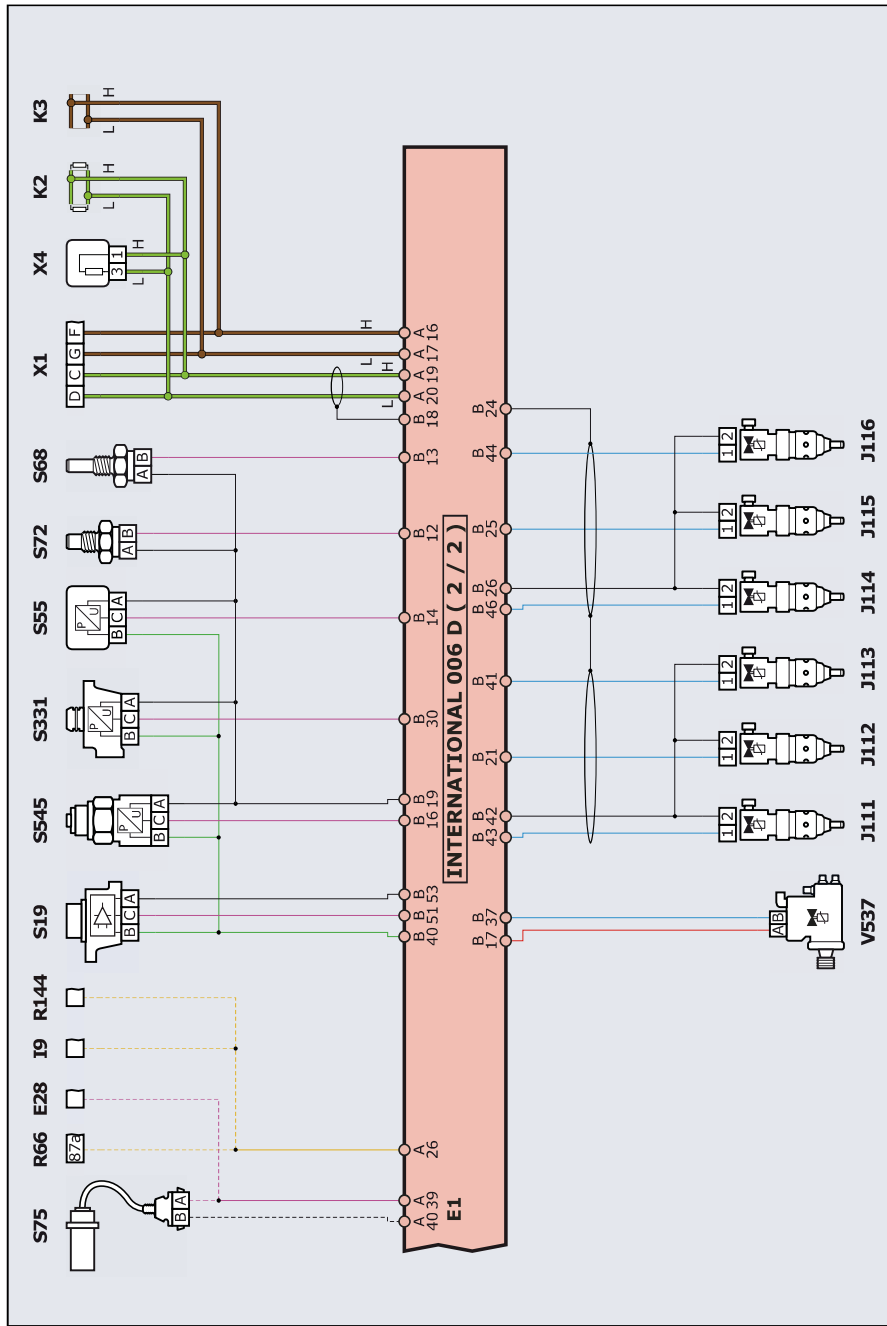


Heavy & Medium Duty/INTERNATIONAL/International (Navistar-MaxxForce)/---//INT/
International/Navistar-MaxxForce/-/[--/00>--/04]/DT466E



Heavy & Medium Duty/INTERNATIONAL/International (Navistar-MaxxForce)/---//INT/
International/Navistar-MaxxForce/-/[--/00>--/04]/DT466E



**Heavy & Medium Duty/INTERNATIONAL/International (Navistar-MaxxForce)/---//INT/
International/Navistar-MaxxForce/-/[--/00>--/04]/DT466E**
Component list

B1	Starting battery
E1	Engine management control unit
E28	Automatic transmission control unit
ECM	40 A fuse
FUSE1	5 A fuse
FUSE2	5 A fuse
FUSE3	10 A fuse
FUSE4	Fuse amp not defined
I1	Ignition Switch
I306	Coolant level switch
I9	Neutral position switch
J111	Cylinder 1 hydraulically controlled magnetic injector
J112	Cylinder 2 hydraulically controlled magnetic injector
J113	Cylinder 3 hydraulically controlled magnetic injector
J114	Cylinder 4 hydraulically controlled magnetic injector
J115	Cylinder 5 hydraulically controlled magnetic injector
J116	Cylinder 6 hydraulically controlled magnetic injector
K2	High speed CAN line
K3	Low speed CAN line
M2	Engine cooling fan motor
M267	Starter motor with overheating protection
MAXI1	Fuse amp not defined
PS	The dotted connections may not be present
R128	Engine brake relay
R144	Neutral position relay
R45	Starter motor relay
R66	Gear selector relay
R87	Main relay
S13	Accelerator pedal potentiometer with idle switch
S19	Hall timing sensor
S331	Intake manifold air pressure sensor
S45	Atmospheric pressure sensor
S545	Hydraulically controlled injector high pressure oil sensor
S55	Oil pressure sensor
S59	Intake air temperature sensor
S68	Coolant temperature sensor
S72	Oil temperature sensor
S75	Vehicle speed inductive sensor
V537	Hydraulically operator injector oil delivery control solenoid valve
V549	Engine brake relief solenoid valve
X1	Diagnostic socket
X15-1	Terminal 15 connector
X15-2	Terminal 15 connector

X4	Termination resistance connector
X91	Body builder connector