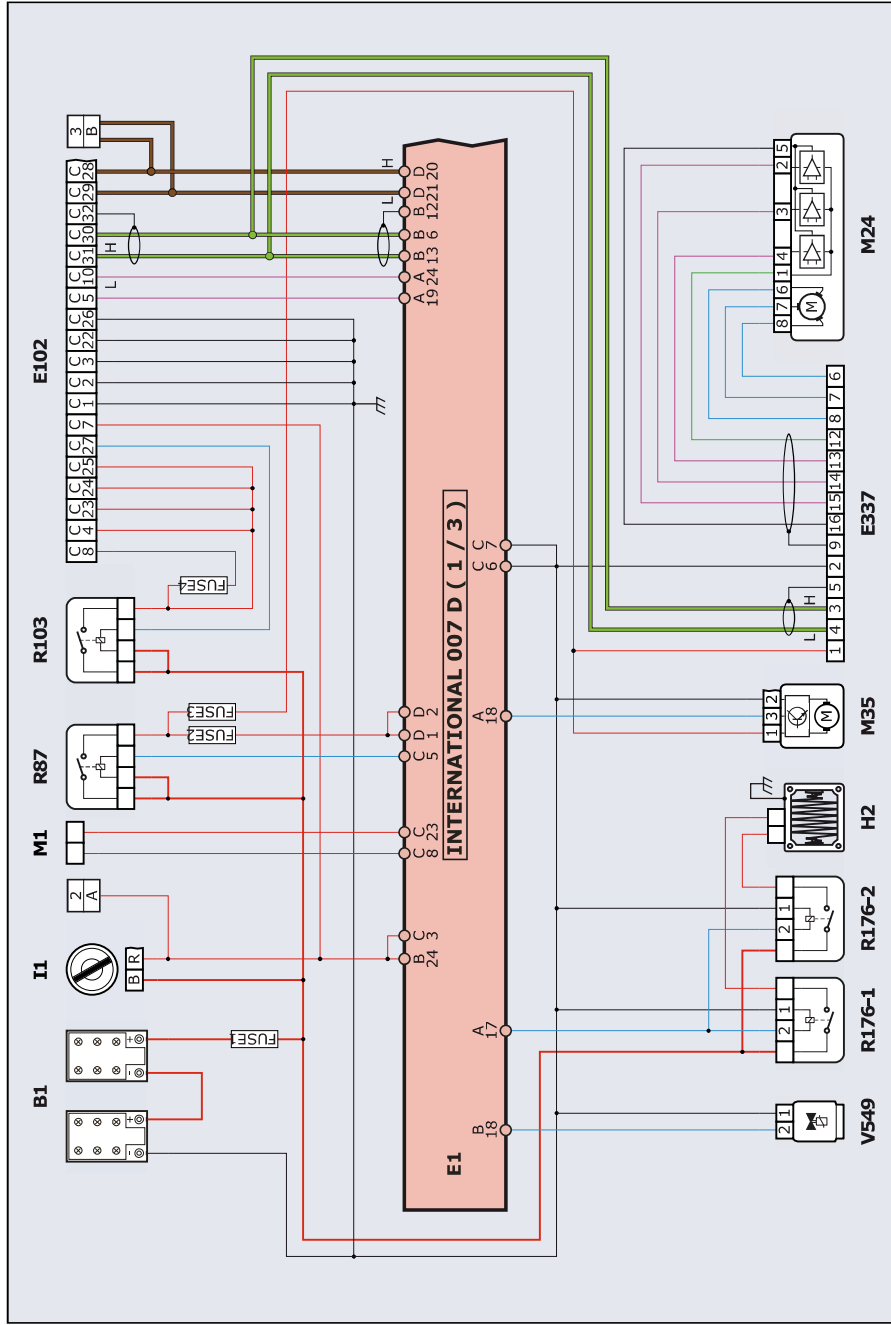
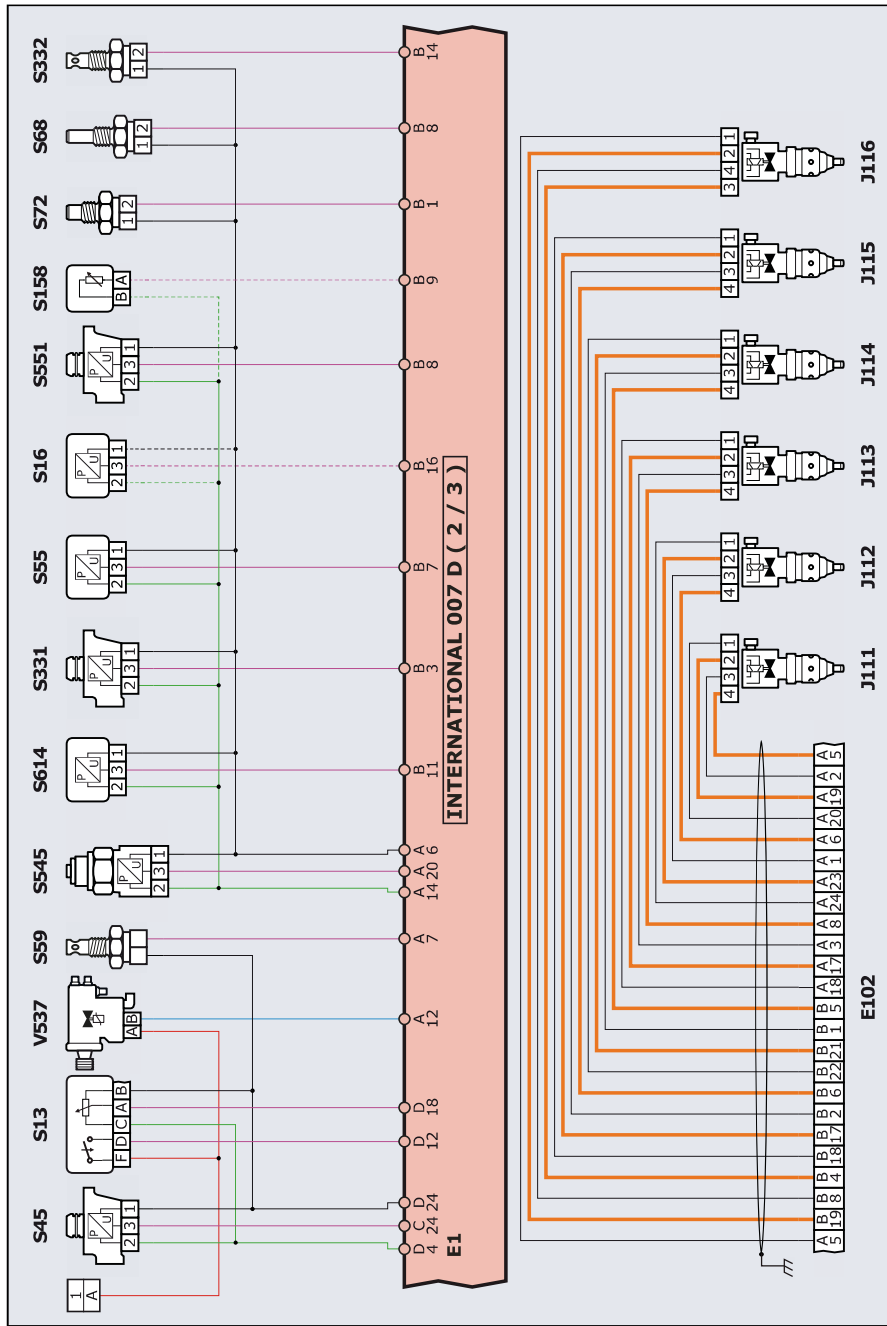


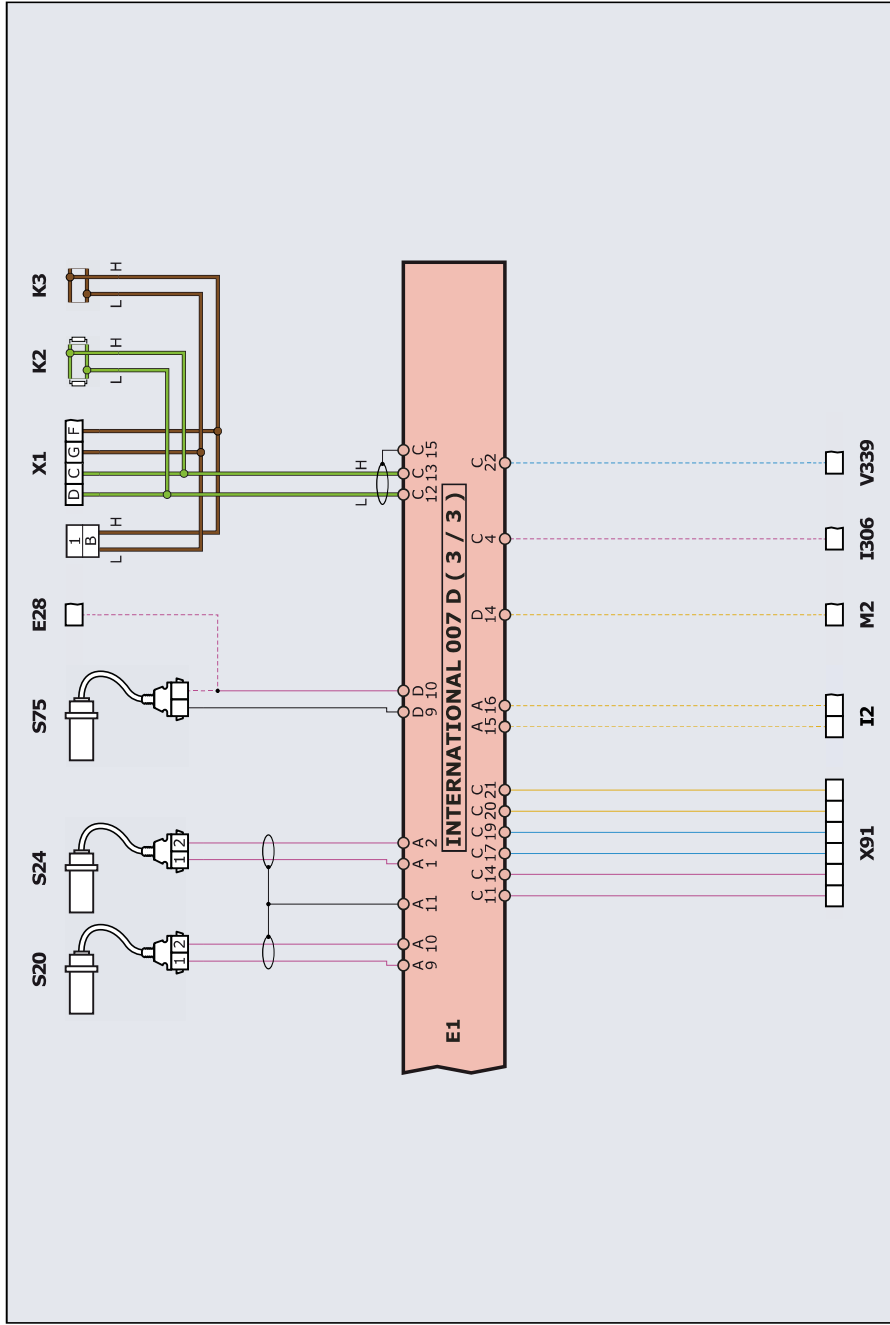
Heavy & Medium Duty/INTERNATIONAL/International (Navistar-MaxxForce)/---//INT/  
International/Navistar-MaxxForce/-/--/04>--/06/DT466



Heavy & Medium Duty//INTERNATIONAL/International (Navistar-MaxxForce)/---//INT/  
International/Navistar-MaxxForce/-/[--/04>--/06]/DT466



Heavy & Medium Duty/INTERNATIONAL/International (Navistar-MaxxForce)/---//INT/  
International/Navistar-MaxxForce/-/[--/04>--/06]/DT466



**Heavy & Medium Duty/INTERNATIONAL/International (Navistar-MaxxForce)/---//INT/  
International/Navistar-MaxxForce/-/[--/04>--/06]/DT466**

**Component list**

B1	Starting battery
E1	Engine management control unit
E102	Injectors control module
E28	Automatic transmission control unit
E337	EGR valve control module
FUSE1	40 A fuse
FUSE2	10 A fuse
FUSE3	20 A fuse
FUSE4	10 A fuse
H2	Grid heater
I1	Ignition Switch
I2	Brake pedal switch
I306	Coolant level switch
J111	Cylinder 1 hydraulically controlled magnetic injector
J112	Cylinder 2 hydraulically controlled magnetic injector
J113	Cylinder 3 hydraulically controlled magnetic injector
J114	Cylinder 4 hydraulically controlled magnetic injector
J115	Cylinder 5 hydraulically controlled magnetic injector
J116	Cylinder 6 hydraulically controlled magnetic injector
K2	High speed CAN line
K3	Low speed CAN line
M1	Starter motor
M2	Engine cooling fan motor
M24	Rotary EGR valve control motor with digital position sensor
M35	Variable geometry turbine adjustment motor module
PS	The dotted connections may not be present
R103	Injector control module relay
R176-1	Grid heater relay
R176-2	Grid heater relay
R87	Main relay
S13	Accelerator pedal potentiometer with idle switch
S158	Water-in-fuel sensor
S16	Low pressure fuel sensor
S20	Inductive phase sensor
S24	Inductive RPM sensor
S331	Intake manifold air pressure sensor
S332	Intake manifold air temperature sensor
S45	Atmospheric pressure sensor
S545	Hydraulically controlled injector high pressure oil sensor
S55	Oil pressure sensor
S551	Exhaust gas pressure sensor downstream of the backpressure valve
S59	Intake air temperature sensor
S614	Decompression engine brake oil pressure sensor

S68	Coolant temperature sensor
S72	Oil temperature sensor
S75	Vehicle speed inductive sensor
V339	Radiator check solenoid valve
V537	Hydraulically operator injector oil delivery control solenoid valve
V549	Engine brake relief solenoid valve
X1	Diagnostic socket
X91	Body builder connector