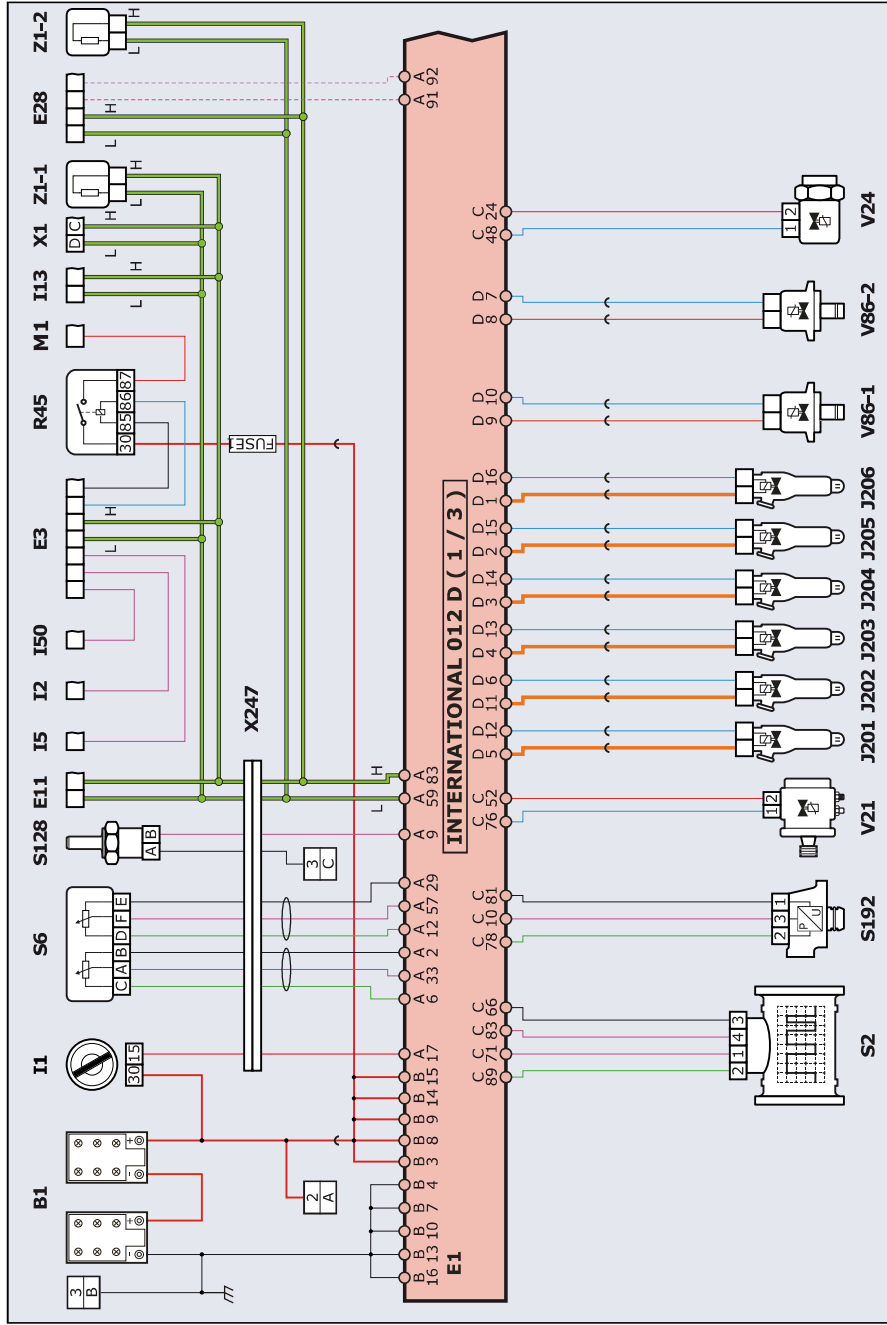
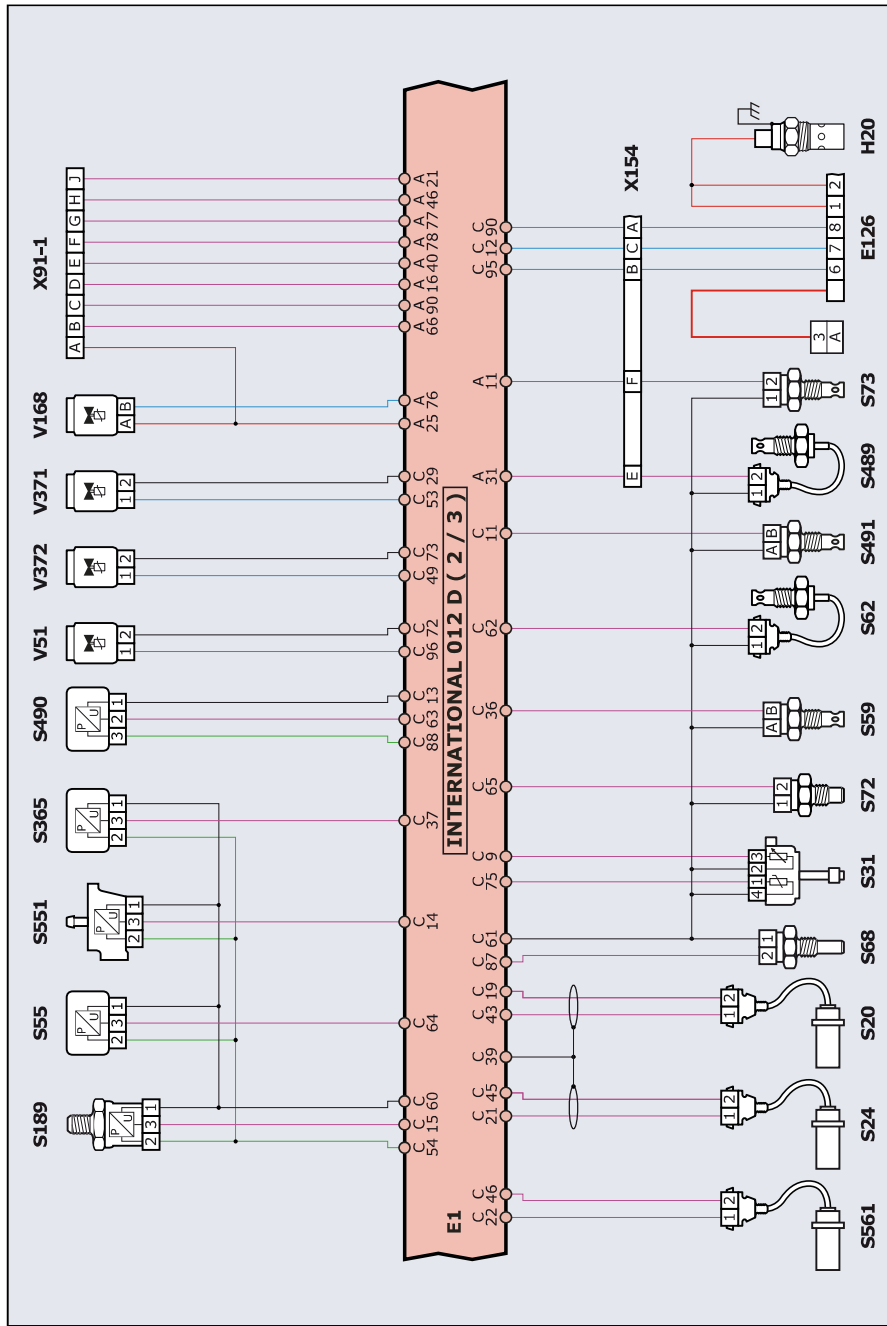


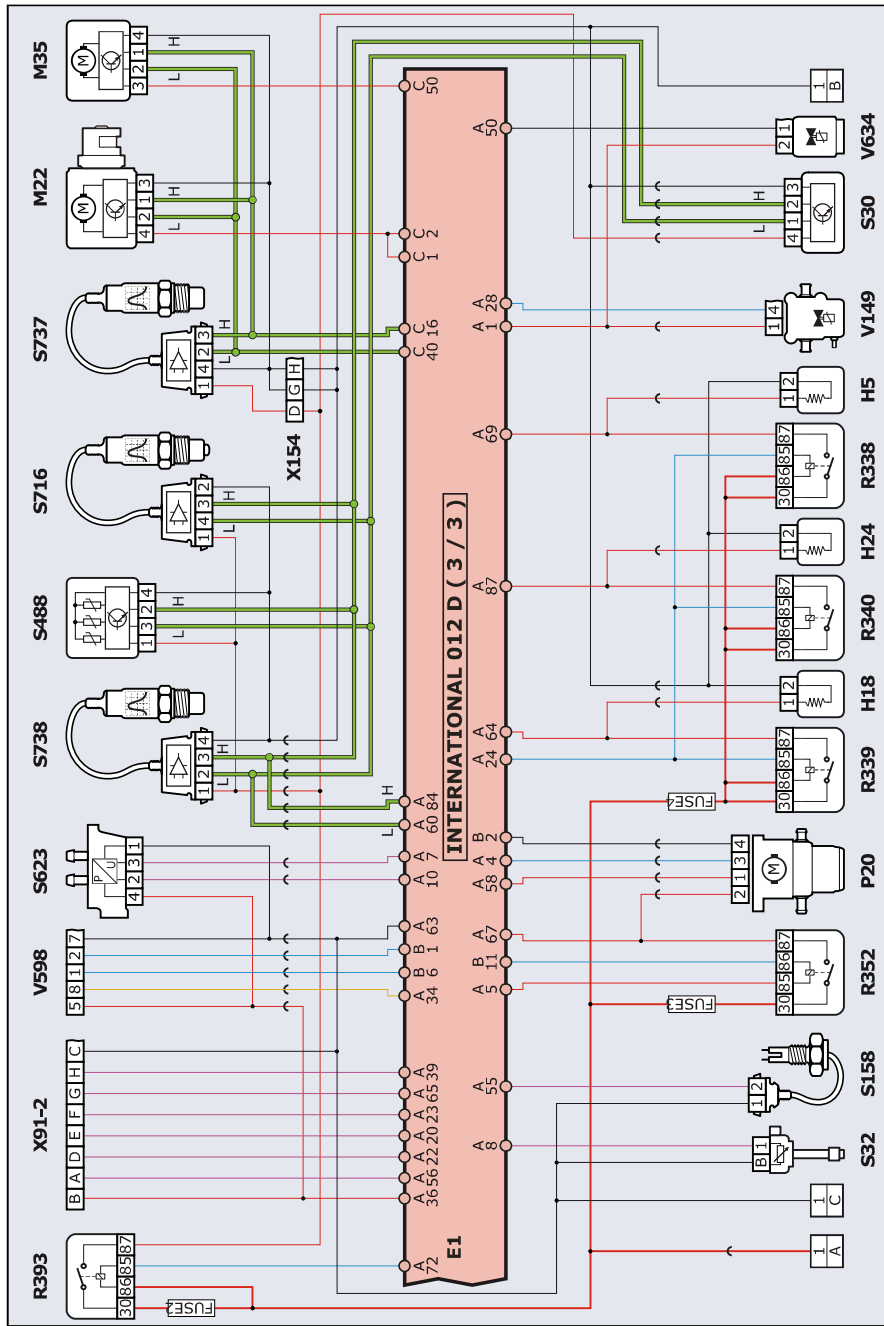
Heavy & Medium Duty/INTERNATIONAL/International (Navistar-MaxxForce)/---//INT/
International/Navistar-MaxxForce/-/-/A26



Heavy & Medium Duty//INTERNATIONAL/International (Navistar-MaxxForce)/---//INT/
International/Navistar-MaxxForce/-/-/A26



Heavy & Medium Duty//INTERNATIONAL/International (Navistar-MaxxForce)/---//INT/
International/Navistar-MaxxForce/-/-/A26



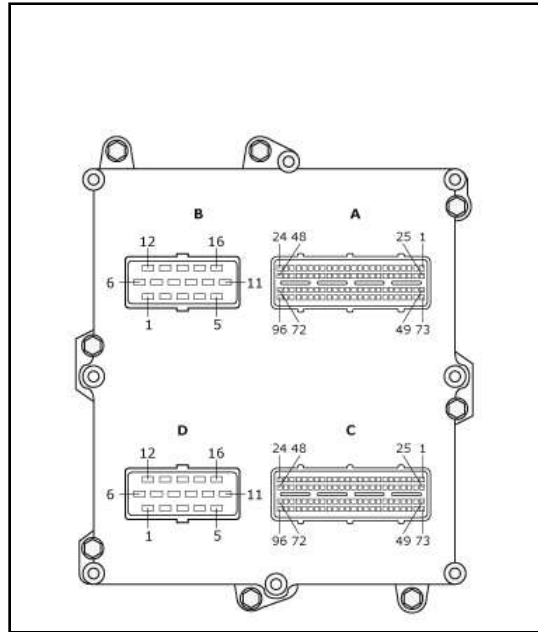
**Heavy & Medium Duty/INTERNATIONAL/International (Navistar-MaxxForce)/---//INT/
International/Navistar-MaxxForce/-/-/A26**

Component list

B1	Starting battery
E1	Engine management control unit
E11	Instrument panel control unit
E126	Flame heater glow plug control module
E28	Automatic transmission control unit
E3	Body computer
FUSE1	15 A fuse
FUSE2	15 A fuse
FUSE3	10 A fuse
FUSE4	10 A fuse
H18	Reducing additive delivery pipe heater
H20	Flame glow plug
H24	Reducing additive return pipe heater
H5	Reducing additive intake duct heater
I1	Ignition Switch
I13	Speed regulator selector buttons
I2	Brake pedal switch
I5	Clutch pedal switch
I50	Parking brake switch
J201	Magnetic common rail injector of cylinder n. 1
J202	Magnetic common rail injector of cylinder n. 2
J203	Magnetic common rail injector of cylinder n. 3
J204	Magnetic common rail injector of cylinder n. 4
J205	Cylinder 5 magnetic common rail injector
J206	Cylinder 6 magnetic common rail injector
M1	Starter motor
M22	Rotary EGR valve motor
M35	Variable geometry turbine adjustment motor module
P20	Reducing additive pump
PS	The dotted connections may not be present
R338	Reducing additive intake duct heater relay
R339	Reducing additive delivery pipe heater relay
R340	Reducing additive tank return pipe heater relay
R352	Reducing additive pump relay
R393	Exhaust gas after-treatment relay
R45	Starter motor relay
S128	Outside air temperature sensor
S158	Water-in-fuel sensor
S189	High pressure fuel sensor
S192	Boost pressure sensor
S2	Digital air mass meter
S20	Inductive phase sensor
S24	Inductive RPM sensor

S30	Reducing additive level and temperature sensor
S31	Oil level and temperature sensor
S32	Coolant level sensor
S365	Particulate filter meter fuel input pressure sensor
S488	Module of the exhaust gas temperature sensors upstream of the oxidation catalyst, upstream and downstream of the particulate filter
S489	Exhaust gas recirculation temperature sensor
S490	Exhaust gas recirculation pressure sensor
S491	Boost air temperature downstream of the intercooler
S55	Oil pressure sensor
S551	Exhaust gas pressure sensor downstream of the backpressure valve
S561	Crankcase oil separator inductive speed sensor
S59	Intake air temperature sensor
S6	Accelerator dual potentiometer
S62	Exhaust gas temperature sensor
S623	Particulate filter exhaust gas differential pressure and downstream pressure sensor
S68	Coolant temperature sensor
S716	Particulate probe
S72	Oil temperature sensor
S73	Boost temperature sensor
S737	NOx sensor upstream of the SCR catalyst
S738	NOx sensor downstream of the SCR catalyst
V149	Additive tank heating solenoid valve
V168	Engine cooling fan control solenoid valve
V21	High pressure fuel metering solenoid valve
V24	Fuel pressure regulating solenoid valve
V371	Particulate filter fuel meter solenoid valve
V372	Particulate filter fuel cut-off solenoid valve
V51	Particulate filter air bleed solenoid valve
V598	Reducing additive dosing module solenoid valve
V634	Flame pre-heating supply solenoid valve
V86-1	Engine brake solenoid valve
V86-2	Engine brake solenoid valve
X1	Diagnostic socket
X154	Engine wiring connector
X247	Cabin-chassis interconnection
X91-1	Body builder connector
X91-2	Body builder connector
Z1-1	Terminating resistor
Z1-2	Terminating resistor

Heavy & Medium Duty/INTERNATIONAL/International (Navistar-MaxxForce)/---//INT/
International/Navistar-MaxxForce/-/-/A26



Control unit side connector pinout

- A = 96
- B = 16
- C = 96
- D = 16