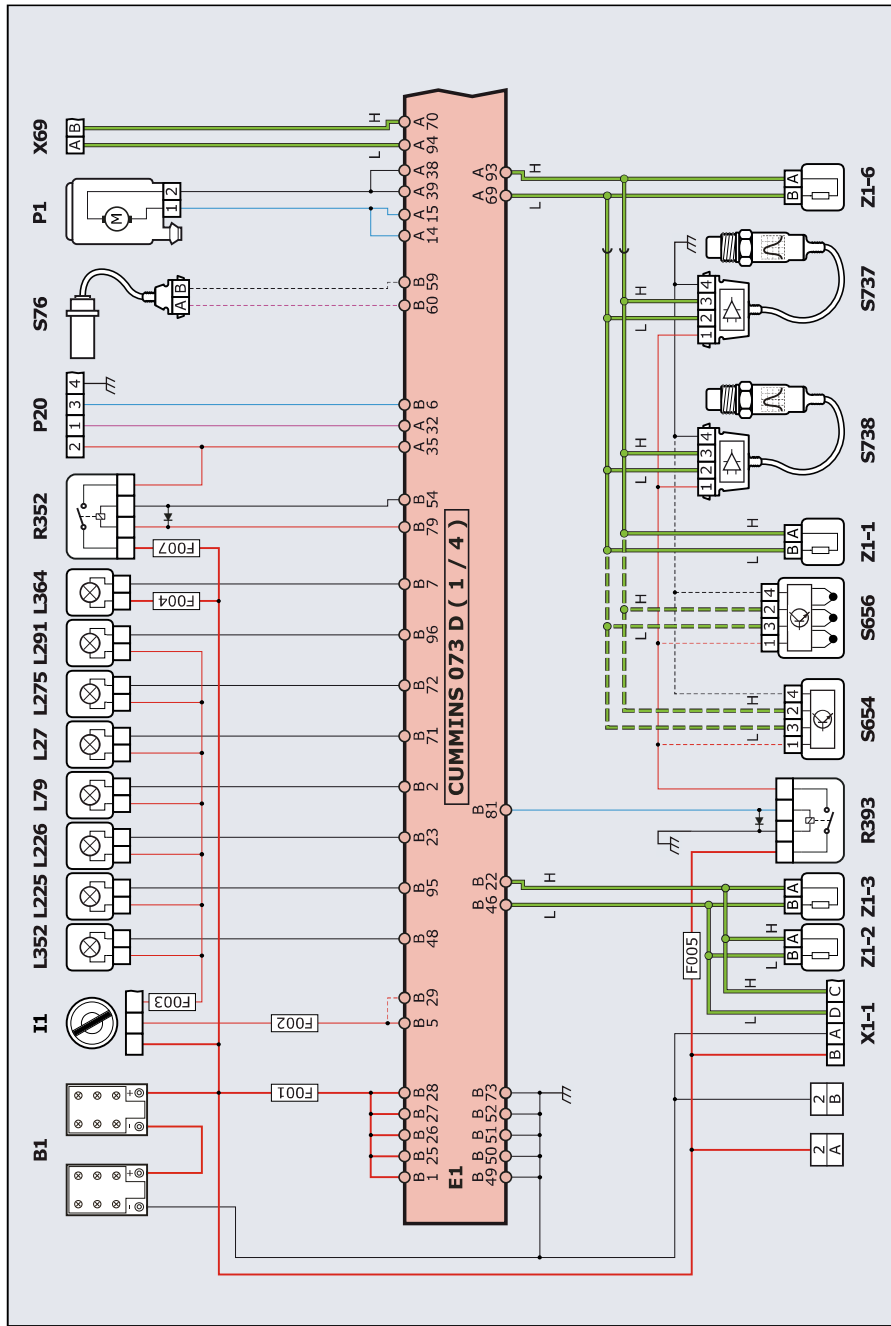
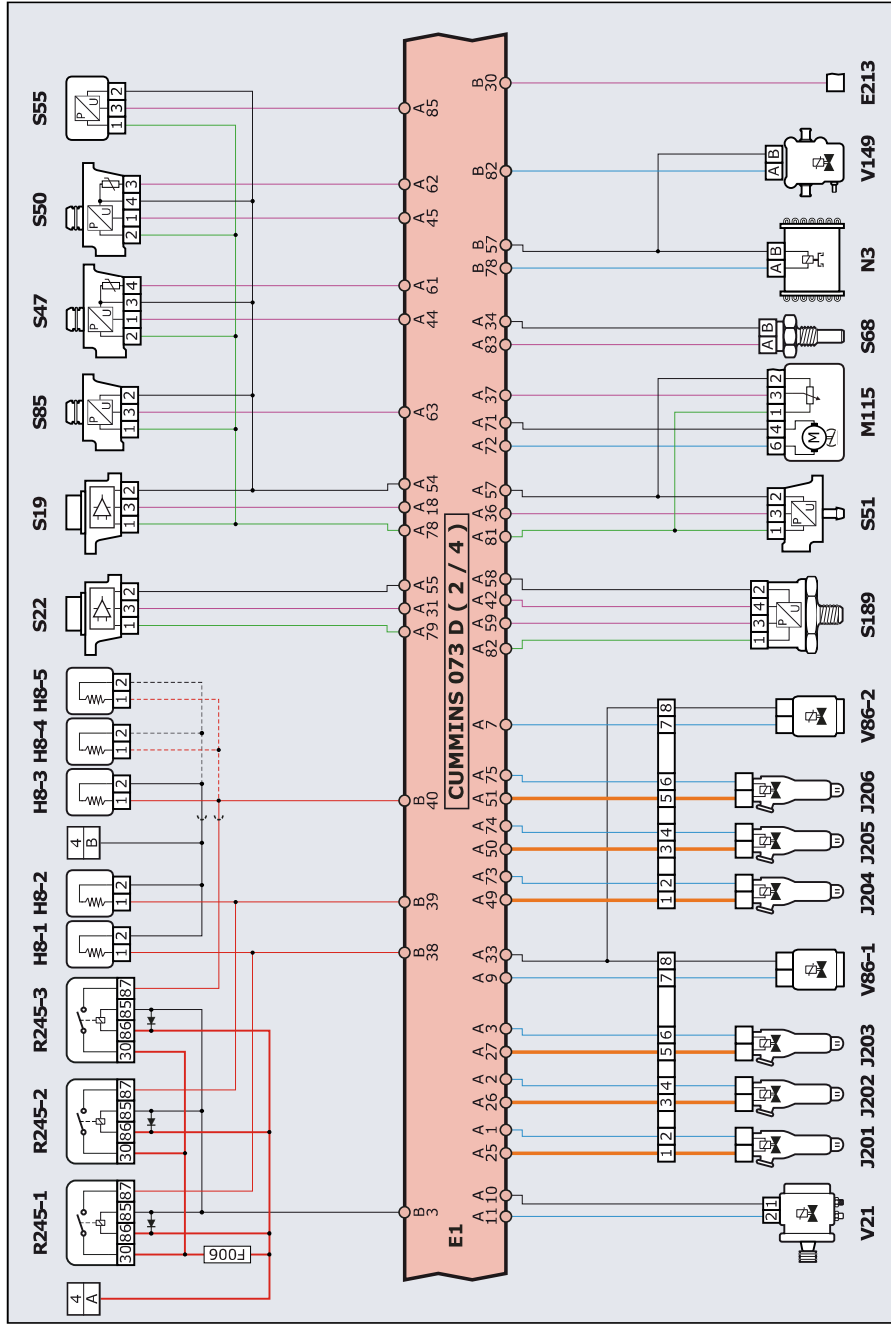


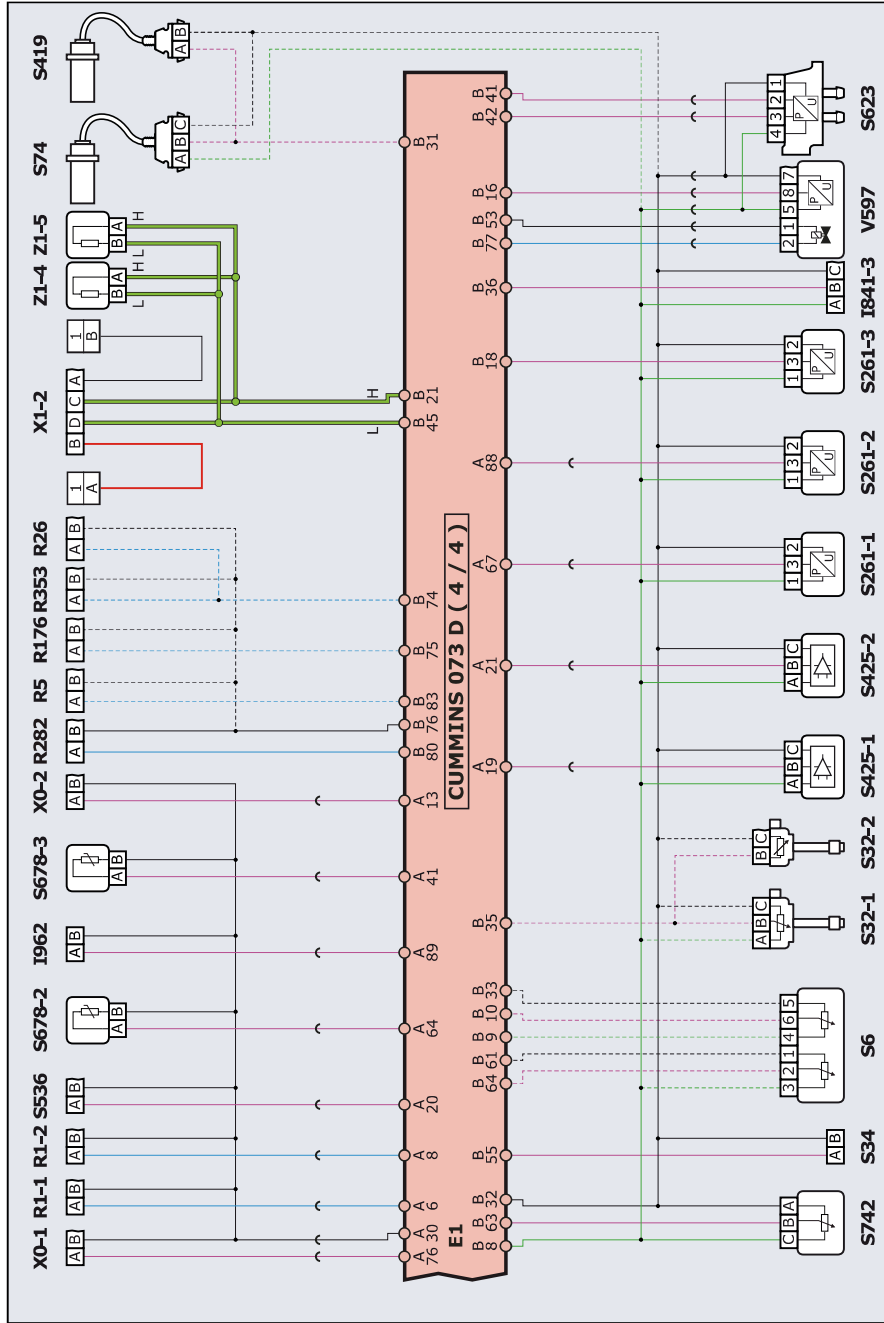
Heavy & Medium Duty/WESTERN STAR/Cummins/---//CMMNS/
Cummins/L9/-/-/CM2350, Without VGT



Heavy & Medium Duty/WESTERN STAR/Cummins/---//CMMNS/
Cummins/L9/-/-/CM2350, Without VGT



Heavy & Medium Duty/WESTERN STAR/Cummins/---//CMMNS/
Cummins/L9/-/-/CM2350, Without VGT



**Heavy & Medium Duty/WESTERN STAR/Cummins/---//CMMNS/
Cummins/L9/-/-/CM2350, Without VGT**

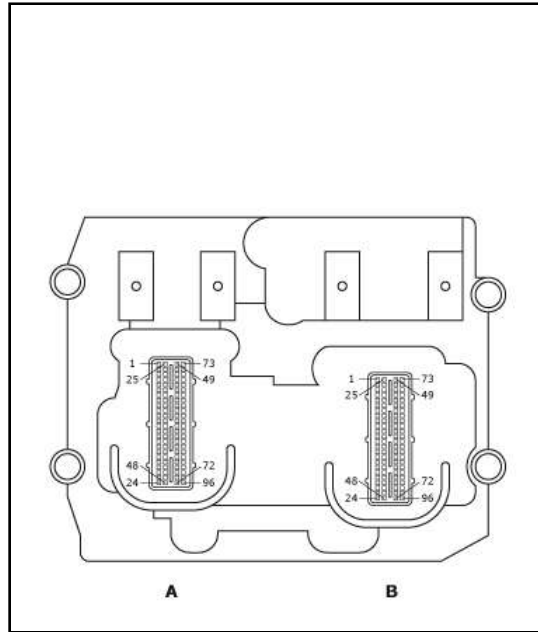
Component list

B1	Starting battery
E1	Engine management control unit
E213	Analog rev indicator
F001	30 A fuse
F002	5 A fuse
F003	Fuse amp not defined
F004	Fuse amp not defined
F005	15 A fuse
F006	15 A fuse
F007	15 A fuse
H8-1	Reducing additive pipeline heater
H8-2	Reducing additive pipeline heater
H8-3	Reducing additive pipeline heater
H8-4	Reducing additive pipeline heater
H8-5	Reducing additive pipeline heater
I1	Ignition Switch
I106-1	Cruise control switch
I106-2	Cruise control switch
I114	Speed recovery switch
I149	A/C pressure switch
I2	Brake pedal switch
I20-1	Switch
I20-2	Switch
I202	Diagnostic switch
I306	Coolant level switch
I37-1	Idle switch
I37-2	Idle switch
I37-3	Idle switch
I482	Engine speed setting switch
I49	Particulate filter regeneration switch
I5	Clutch pedal switch
I50	Parking brake switch
I53	Speed setting switch
I547	Multi speed axle control switch
I550	Engine cooling fan switch
I551-1	Engine brake level switch
I551-2	Engine brake level switch
I627	Air shut-off solenoid valve position switch
I628	Air shut-off solenoid valve test switch
I632	Engine protection switch
I634	External accelerator enabling switch
I841-1	Reversible fan switch
I841-2	Reversible fan switch

I841-3	Reversible fan switch
I931	Particulate filter regeneration disabling switch
I934	Override switch
I962	Engine governor speed decrease switch
J201	Magnetic common rail injector of cylinder n. 1
J202	Magnetic common rail injector of cylinder n. 2
J203	Magnetic common rail injector of cylinder n. 3
J204	Magnetic common rail injector of cylinder n. 4
J205	Cylinder 5 magnetic common rail injector
J206	Cylinder 6 magnetic common rail injector
L225	Exhaust gas overheating warning light
L226	Particulate filter regeneration warning light
L27	Engine shutdown warning light
L275	Engine fault warning light
L291	Wait-to-start warning light
L352	Particulate filter regeneration disabling warning light
L364	Lamp
L79	Reducing additive level light
M1	Starter motor
M115	Exhaust throttle valve motor with potentiometer
N3	Engine cooling fan clutch solenoid
P1	Fuel pump
P20	Reducing additive pump
PS	The dotted connections may not be present
R1-1	Relay
R1-2	Relay
R176	Grid heater relay
R245-1	Reducing additive pipeline heater relay
R245-2	Reducing additive pipeline heater relay
R245-3	Reducing additive pipeline heater relay
R26	Idle stop disable relay
R282	Engine cooling fan clutch engagement relay
R352	Reducing additive pump relay
R353	Air cut-off relay
R393	Exhaust gas after-treatment relay
R45	Starter motor relay
R5	Immobilizer relay
S158	Water-in-fuel sensor
S189	High pressure fuel sensor
S19	Hall timing sensor
S22	Hall effect speed sensor
S261-1	Pressure sensor
S261-2	Pressure sensor
S261-3	Pressure sensor
S30	Reducing additive level and temperature sensor
S32-1	Coolant level sensor
S32-2	Coolant level sensor

S34	Electronic accelerator pedal sensor
S419	Vehicle speed sensor
S425-1	Engine cooling fan speed sensor
S425-2	Engine cooling fan speed sensor
S47	Intake air temperature and pressure sensor
S50	Boost pressure and temperature sensor
S51	Exhaust gas pressure sensor
S536	Engine governor actuator sensor
S55	Oil pressure sensor
S6	Accelerator dual potentiometer
S623	Particulate filter exhaust gas differential pressure and downstream pressure sensor
S654	Reducing additive level and quality, temperature sensor module
S656	Exhaust gas temperature sensor module
S678-1	Temperature sensor
S678-2	Temperature sensor
S678-3	Temperature sensor
S68	Coolant temperature sensor
S737	NOx sensor upstream of the SCR catalyst
S738	NOx sensor downstream of the SCR catalyst
S74	Vehicle speed Hall sensor
S742	External accelerator potentiometer
S76	Magneto-resistive vehicle speed sensor
S85	Crankcase oil vapor pressure sensor
V149	Additive tank heating solenoid valve
V21	High pressure fuel metering solenoid valve
V597	Reducing additive dosing module
V86-1	Engine brake solenoid valve
V86-2	Engine brake solenoid valve
X0-1	Interconnection plug
X0-2	Interconnection plug
X1-1	Diagnostic socket
X1-2	Diagnostic socket
X69	Connector J1939
Z1-1	Terminating resistor
Z1-2	Terminating resistor
Z1-3	Terminating resistor
Z1-4	Terminating resistor
Z1-5	Terminating resistor
Z1-6	Terminating resistor

**Heavy & Medium Duty/WESTERN STAR/Cummins/---//CMMNS/
Cummins/L9/-/-/CM2350, Without VGT**



Control unit side connector pinout

A = 96 (J1)

B = 96 (J2)