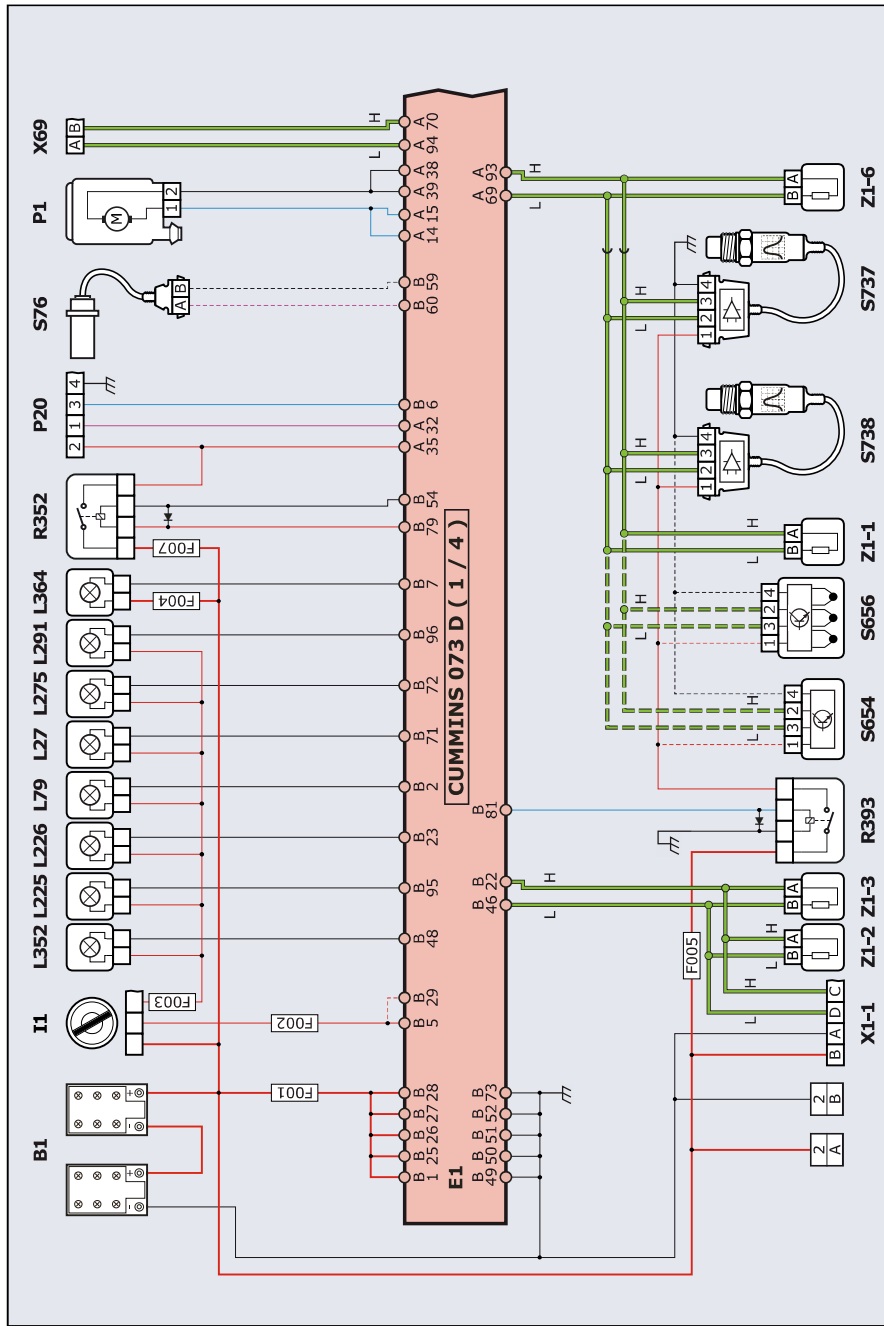
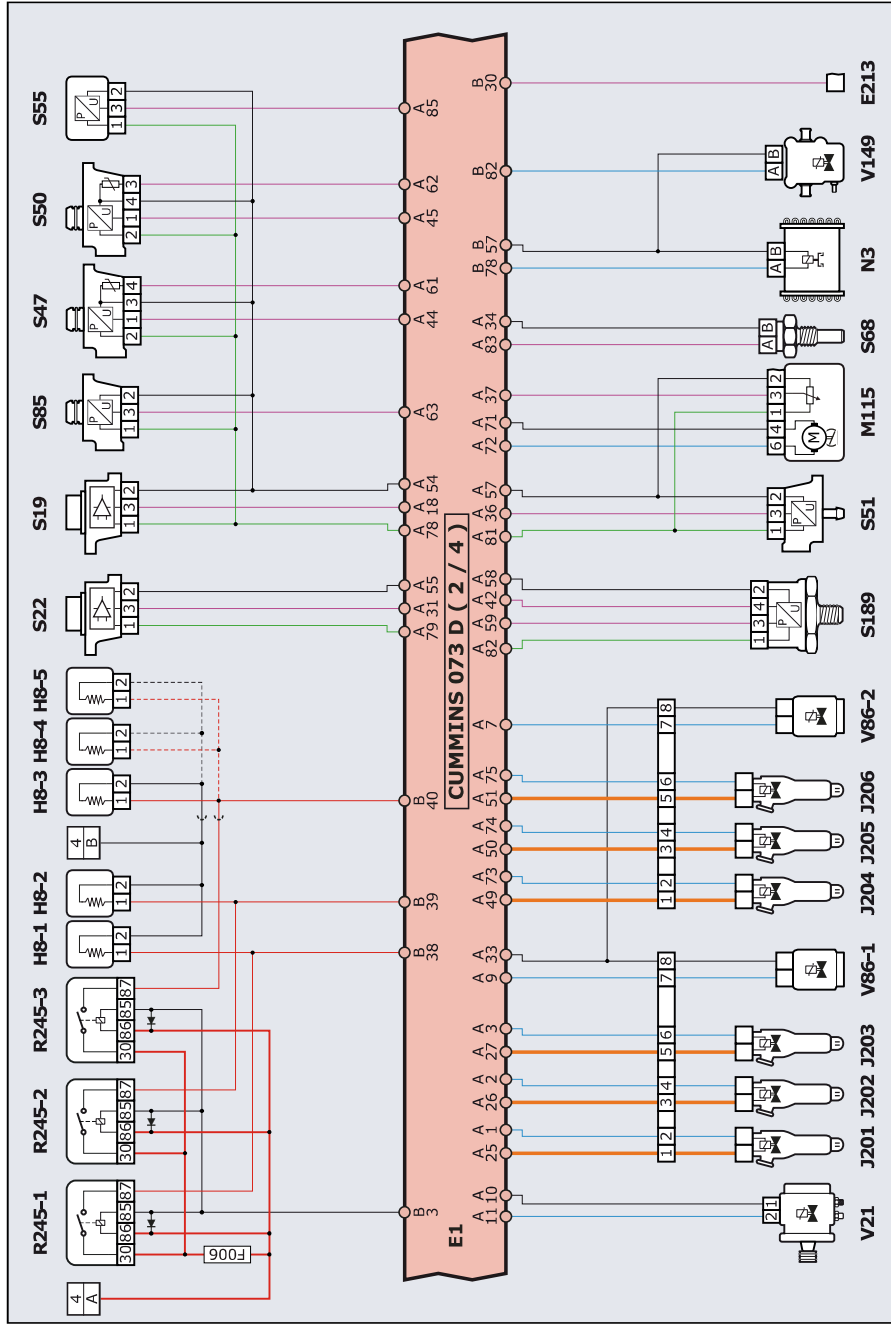


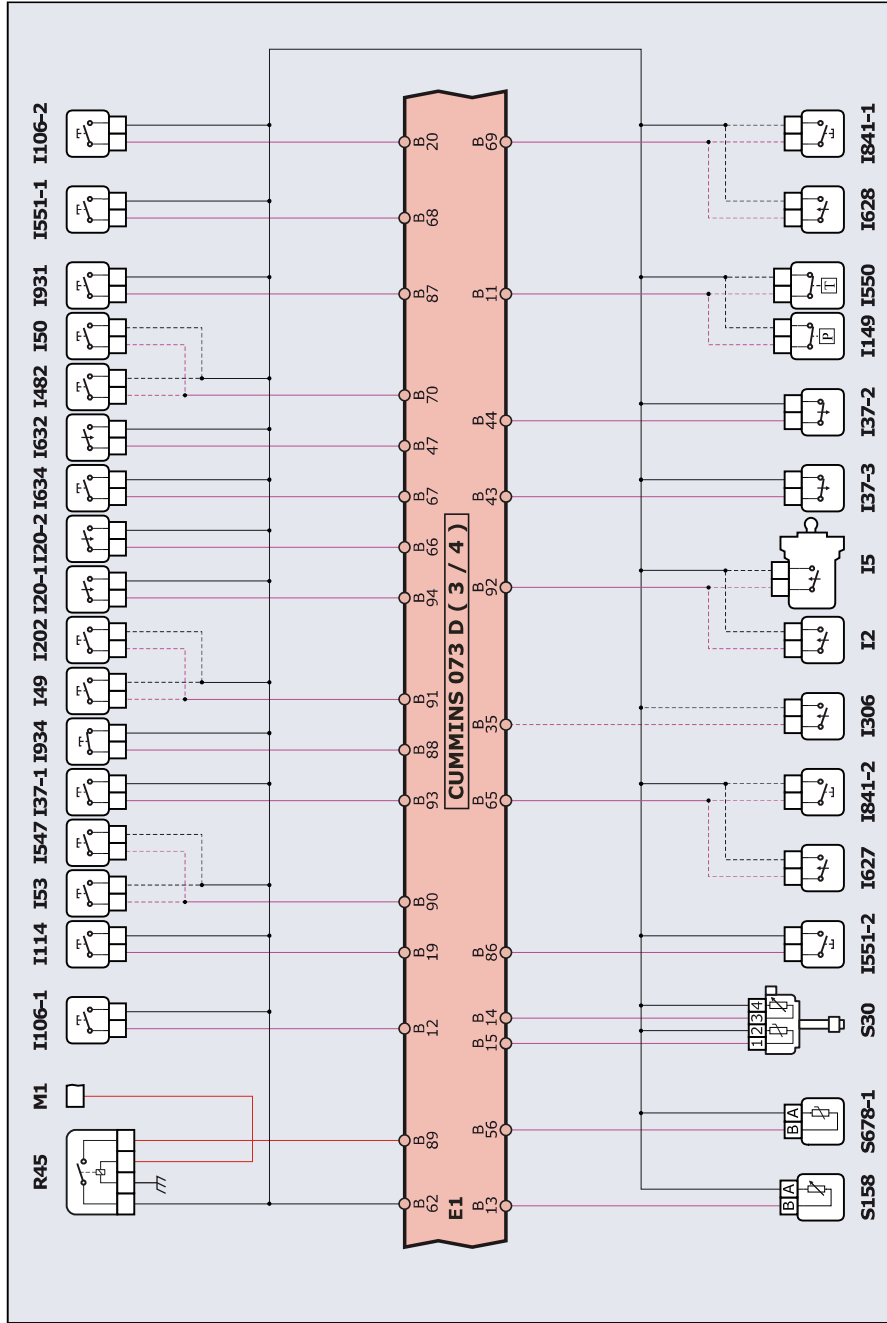
Heavy & Medium Duty/HINO/L / XL Series/---/---/
Cummins/L9/--/--/CM2350, Without VGT



Heavy & Medium Duty/HINO/L / XL Series/---/---/
Cummins/L9/-/-/CM2350, Without VGT



Heavy & Medium Duty/HINO/L / XL Series/---/---/
Cummins/L9/---/CM2350, Without VGT



**Heavy & Medium Duty/HINO/L / XL Series/---/--/
Cummins/L9/-/-/CM2350, Without VGT**

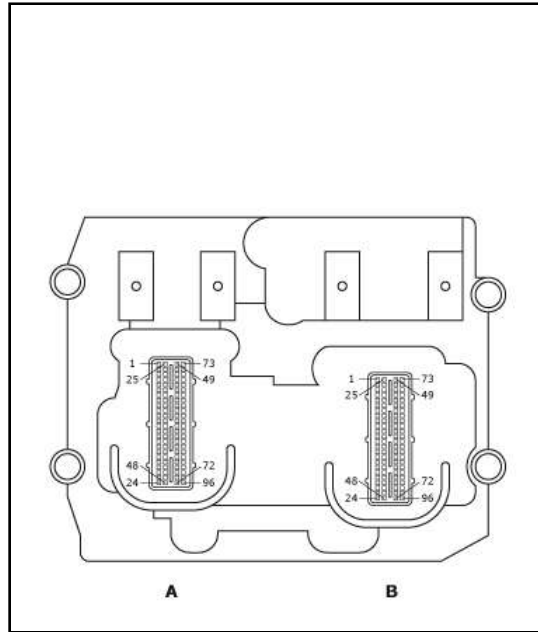
Component list

| | |
|--------|---------------------------------------------|
| B1 | Starting battery |
| E1 | Engine management control unit |
| E213 | Analog rev indicator |
| F001 | 30 A fuse |
| F002 | 5 A fuse |
| F003 | Fuse amp not defined |
| F004 | Fuse amp not defined |
| F005 | 15 A fuse |
| F006 | 15 A fuse |
| F007 | 15 A fuse |
| H8-1 | Reducing additive pipeline heater |
| H8-2 | Reducing additive pipeline heater |
| H8-3 | Reducing additive pipeline heater |
| H8-4 | Reducing additive pipeline heater |
| H8-5 | Reducing additive pipeline heater |
| I1 | Ignition Switch |
| I106-1 | Cruise control switch |
| I106-2 | Cruise control switch |
| I114 | Speed recovery switch |
| I149 | A/C pressure switch |
| I2 | Brake pedal switch |
| I20-1 | Switch |
| I20-2 | Switch |
| I202 | Diagnostic switch |
| I306 | Coolant level switch |
| I37-1 | Idle switch |
| I37-2 | Idle switch |
| I37-3 | Idle switch |
| I482 | Engine speed setting switch |
| I49 | Particulate filter regeneration switch |
| I5 | Clutch pedal switch |
| I50 | Parking brake switch |
| I53 | Speed setting switch |
| I547 | Multi speed axle control switch |
| I550 | Engine cooling fan switch |
| I551-1 | Engine brake level switch |
| I551-2 | Engine brake level switch |
| I627 | Air shut-off solenoid valve position switch |
| I628 | Air shut-off solenoid valve test switch |
| I632 | Engine protection switch |
| I634 | External accelerator enabling switch |
| I841-1 | Reversible fan switch |
| I841-2 | Reversible fan switch |

| | |
|--------|---------------------------------------------------------|
| I841-3 | Reversible fan switch |
| I931 | Particulate filter regeneration disabling switch |
| I934 | Override switch |
| I962 | Engine governor speed decrease switch |
| J201 | Magnetic common rail injector of cylinder n. 1 |
| J202 | Magnetic common rail injector of cylinder n. 2 |
| J203 | Magnetic common rail injector of cylinder n. 3 |
| J204 | Magnetic common rail injector of cylinder n. 4 |
| J205 | Cylinder 5 magnetic common rail injector |
| J206 | Cylinder 6 magnetic common rail injector |
| L225 | Exhaust gas overheating warning light |
| L226 | Particulate filter regeneration warning light |
| L27 | Engine shutdown warning light |
| L275 | Engine fault warning light |
| L291 | Wait-to-start warning light |
| L352 | Particulate filter regeneration disabling warning light |
| L364 | Lamp |
| L79 | Reducing additive level light |
| M1 | Starter motor |
| M115 | Exhaust throttle valve motor with potentiometer |
| N3 | Engine cooling fan clutch solenoid |
| P1 | Fuel pump |
| P20 | Reducing additive pump |
| PS | The dotted connections may not be present |
| R1-1 | Relay |
| R1-2 | Relay |
| R176 | Grid heater relay |
| R245-1 | Reducing additive pipeline heater relay |
| R245-2 | Reducing additive pipeline heater relay |
| R245-3 | Reducing additive pipeline heater relay |
| R26 | Idle stop disable relay |
| R282 | Engine cooling fan clutch engagement relay |
| R352 | Reducing additive pump relay |
| R353 | Air cut-off relay |
| R393 | Exhaust gas after-treatment relay |
| R45 | Starter motor relay |
| R5 | Immobilizer relay |
| S158 | Water-in-fuel sensor |
| S189 | High pressure fuel sensor |
| S19 | Hall timing sensor |
| S22 | Hall effect speed sensor |
| S261-1 | Pressure sensor |
| S261-2 | Pressure sensor |
| S261-3 | Pressure sensor |
| S30 | Reducing additive level and temperature sensor |
| S32-1 | Coolant level sensor |
| S32-2 | Coolant level sensor |

| | |
|--------|-------------------------------------------------------------------------------------|
| S34 | Electronic accelerator pedal sensor |
| S419 | Vehicle speed sensor |
| S425-1 | Engine cooling fan speed sensor |
| S425-2 | Engine cooling fan speed sensor |
| S47 | Intake air temperature and pressure sensor |
| S50 | Boost pressure and temperature sensor |
| S51 | Exhaust gas pressure sensor |
| S536 | Engine governor actuator sensor |
| S55 | Oil pressure sensor |
| S6 | Accelerator dual potentiometer |
| S623 | Particulate filter exhaust gas differential pressure and downstream pressure sensor |
| S654 | Reducing additive level and quality, temperature sensor module |
| S656 | Exhaust gas temperature sensor module |
| S678-1 | Temperature sensor |
| S678-2 | Temperature sensor |
| S678-3 | Temperature sensor |
| S68 | Coolant temperature sensor |
| S737 | NOx sensor upstream of the SCR catalyst |
| S738 | NOx sensor downstream of the SCR catalyst |
| S74 | Vehicle speed Hall sensor |
| S742 | External accelerator potentiometer |
| S76 | Magneto-resistive vehicle speed sensor |
| S85 | Crankcase oil vapor pressure sensor |
| V149 | Additive tank heating solenoid valve |
| V21 | High pressure fuel metering solenoid valve |
| V597 | Reducing additive dosing module |
| V86-1 | Engine brake solenoid valve |
| V86-2 | Engine brake solenoid valve |
| X0-1 | Interconnection plug |
| X0-2 | Interconnection plug |
| X1-1 | Diagnostic socket |
| X1-2 | Diagnostic socket |
| X69 | Connector J1939 |
| Z1-1 | Terminating resistor |
| Z1-2 | Terminating resistor |
| Z1-3 | Terminating resistor |
| Z1-4 | Terminating resistor |
| Z1-5 | Terminating resistor |
| Z1-6 | Terminating resistor |

**Heavy & Medium Duty/HINO/L / XL Series/---//--/
Cummins/L9/-/-/CM2350, Without VGT**



Control unit side connector pinout

A = 96 (J1)

B = 96 (J2)