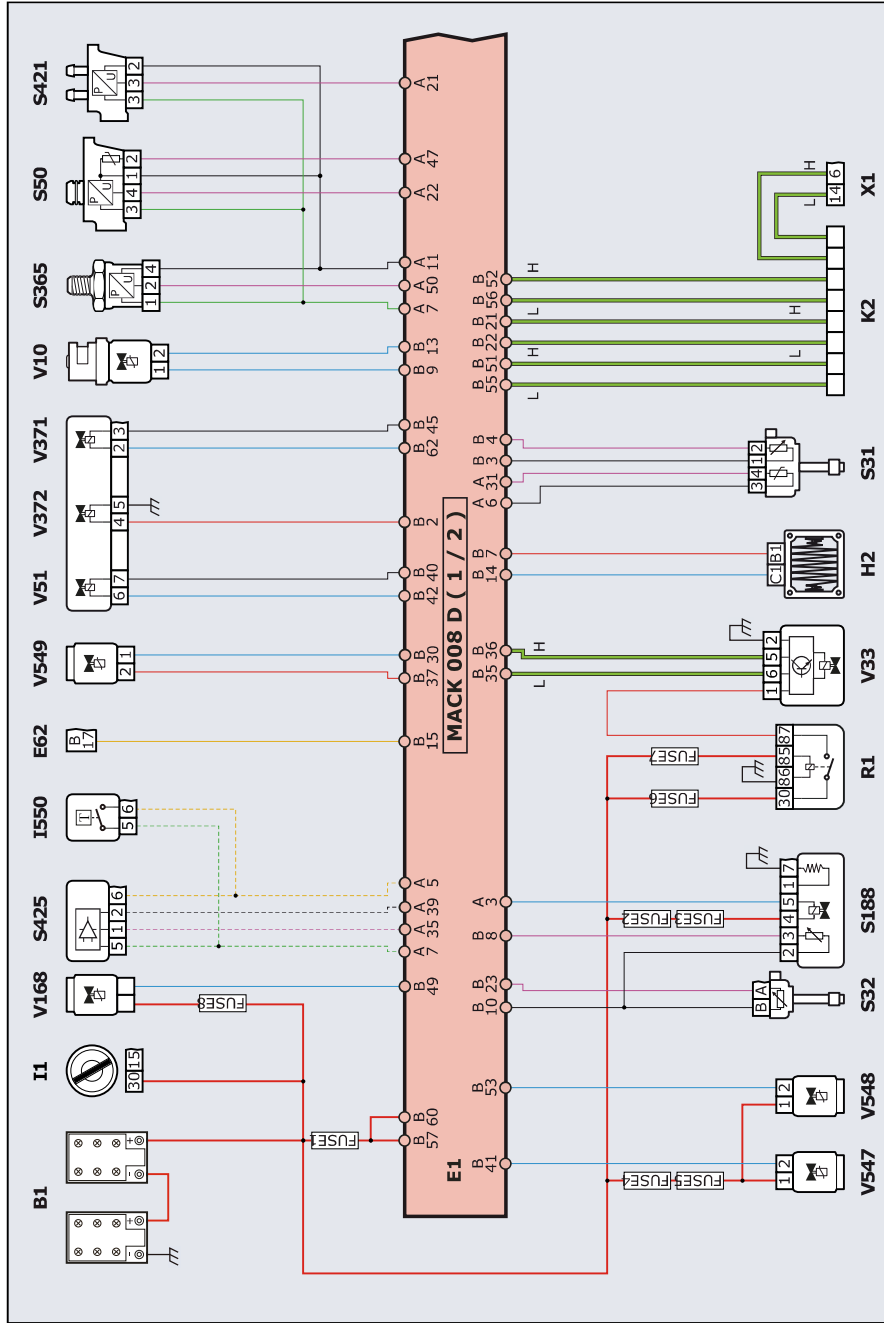
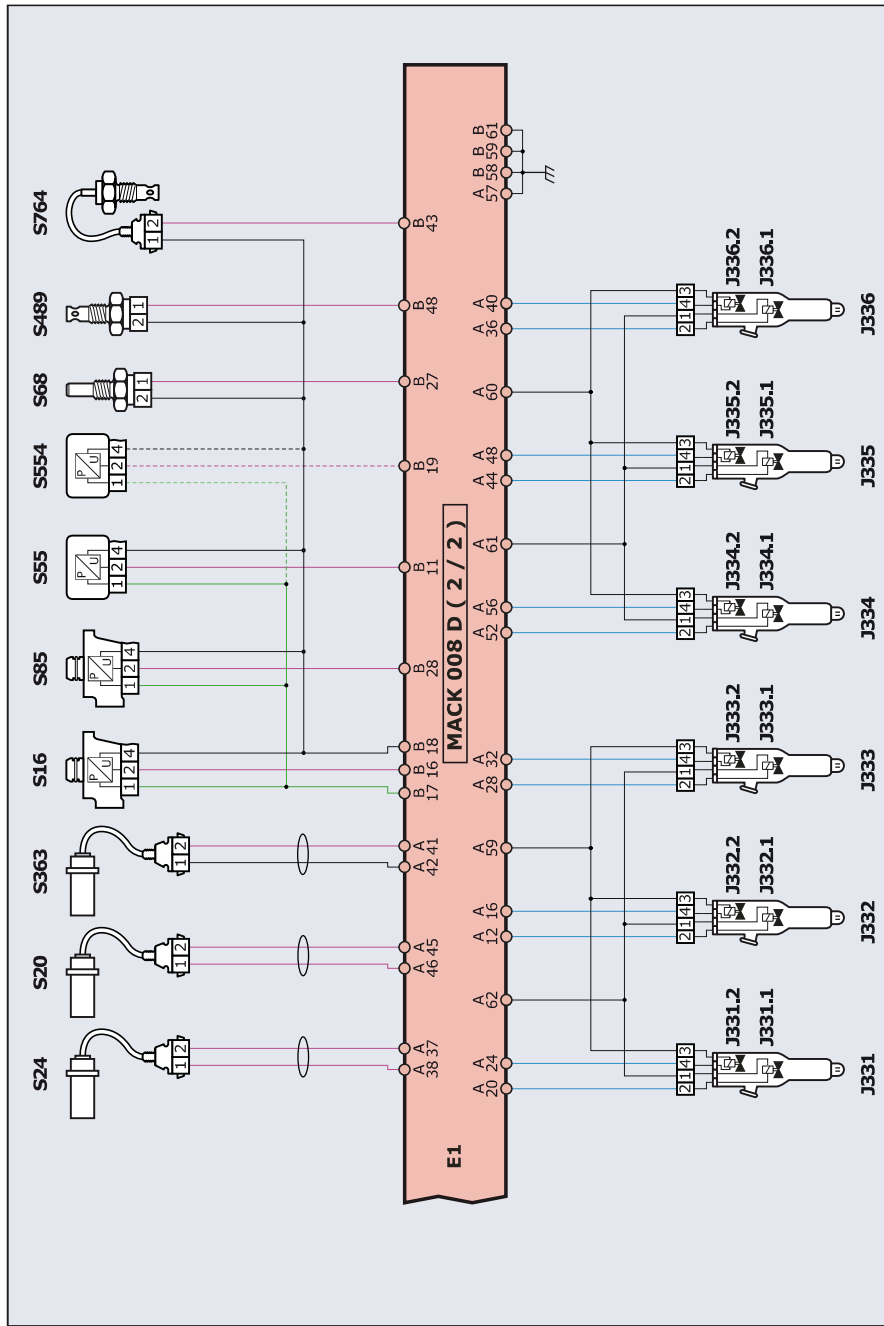


Heavy & Medium Duty/MACK/Mack/IV + Generation with OBD II 16 PIN connector//VOLVO/
Mack/(EMS) Engine management system/-/-/-



Heavy & Medium Duty/MACK/Mack/IV + Generation with OBD II 16 PIN connector//VOLVO/
Mack/(EMS) Engine management system/-/-/-

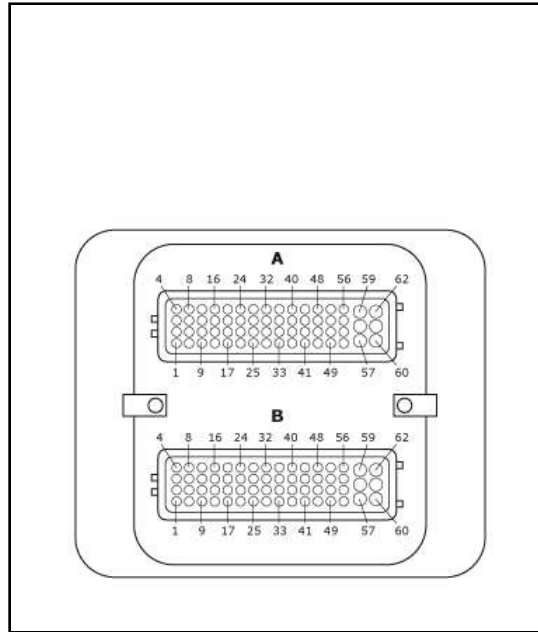


**Heavy & Medium Duty/MACK/Mack/IV+ Generation with OBD II 16 PIN connector//VOLVO/
Mack/(EMS) Engine management system/-/-/-****Component list**

B1	Starting battery
E1	Engine management control unit
E62	Engine-vehicle control unit
FUSE1	30 A fuse
FUSE2	30 A fuse
FUSE3	15 A fuse
FUSE4	30 A fuse
FUSE5	15 A fuse
FUSE6	30 A fuse
FUSE7	15 A fuse
FUSE8	15 A fuse
H2	Grid heater
I1	Ignition Switch
I550	Engine cooling fan switch
J331	Cylinder 1 injector
J331.1	Cylinder 1 pressure amplifier solenoid valve
J331.2	Cylinder 1 injector needle solenoid valve
J332	Cylinder 2 injector
J332.1	Cylinder 2 pressure amplifier solenoid valve
J332.2	Cylinder 2 injector needle solenoid valve
J333	Cylinder 3 injector
J333.1	Cylinder 3 pressure amplifier solenoid valve
J333.2	Cylinder 3 injector needle solenoid valve
J334	Cylinder 4 injector
J334.1	Cylinder 4 pressure amplifier solenoid valve
J334.2	Cylinder 4 injector needle solenoid valve
J335	Cylinder 5 injector
J335.1	Cylinder 5 pressure amplifier solenoid valve
J335.2	Cylinder 5 injector needle solenoid valve
J336	Cylinder 6 injector
J336.1	Cylinder 6 pressure amplifier solenoid valve
J336.2	Cylinder 6 injector needle solenoid valve
K2	High speed CAN line
PS	The dotted connections may not be present
R1	Relay
S16	Low pressure fuel sensor
S188	Water drain solenoid valve and fuel heater, water-in fuel sensor assembly
S20	Inductive phase sensor
S24	Inductive RPM sensor
S31	Oil level and temperature sensor
S32	Coolant level sensor
S363	Turbine speed sensor
S365	Particulate filter meter fuel input pressure sensor

S421	Exhaust gas recirculation differential pressure sensor
S425	Engine cooling fan speed sensor
S489	Exhaust gas recirculation temperature sensor
S50	Boost pressure and temperature sensor
S55	Oil pressure sensor
S554	Piston cooling oil pressure sensor
S68	Coolant temperature sensor
S764	Exhaust gas temperature sensor downstream of the turbine
S85	Crankcase oil vapor pressure sensor
V10	EGR solenoid valve
V168	Engine cooling fan control solenoid valve
V33	Variable geometry turbine regulation solenoid valve module
V371	Particulate filter fuel meter solenoid valve
V372	Particulate filter fuel cut-off solenoid valve
V51	Particulate filter air bleed solenoid valve
V547	Piston cooling oil injection solenoid valve
V548	Oil thermostat solenoid valve
V549	Engine brake relief solenoid valve
X1	Diagnostic socket

**Heavy & Medium Duty/MACK/Mack/IV+ Generation with OBD II 16 PIN connector//VOLVO/
Mack/(EMS) Engine management system/-/-/-**



Control unit side connector pinout

A = 62

B = 62