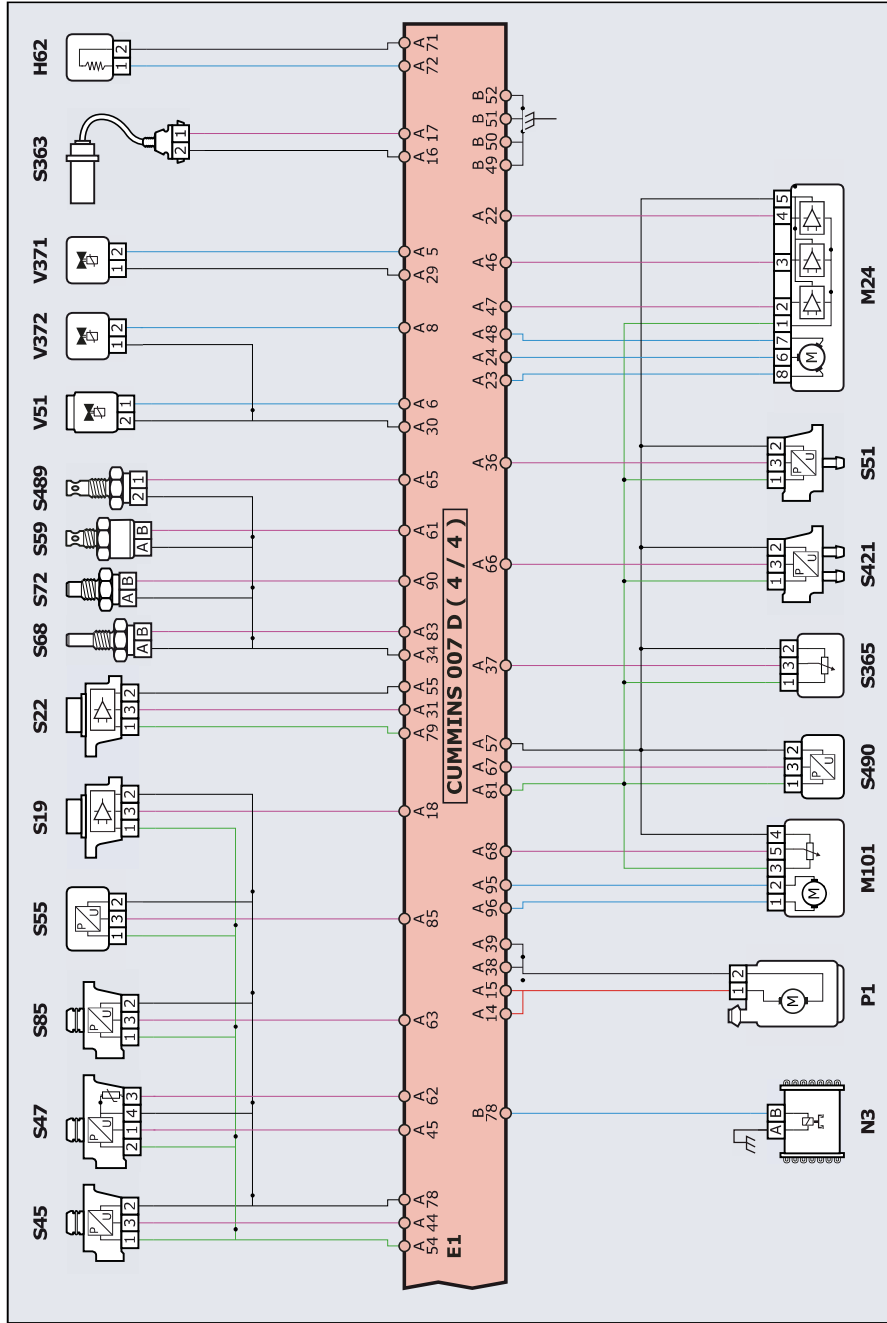


Heavy & Medium Duty/FREIGHTLINER/Cummins/---//CMMNS/
Cummins/ISX15/-/-/CM2350



**Heavy & Medium Duty/FREIGHTLINER/Cummins/---//CMMNS/
Cummins/ISX15/-/-/CM2350**

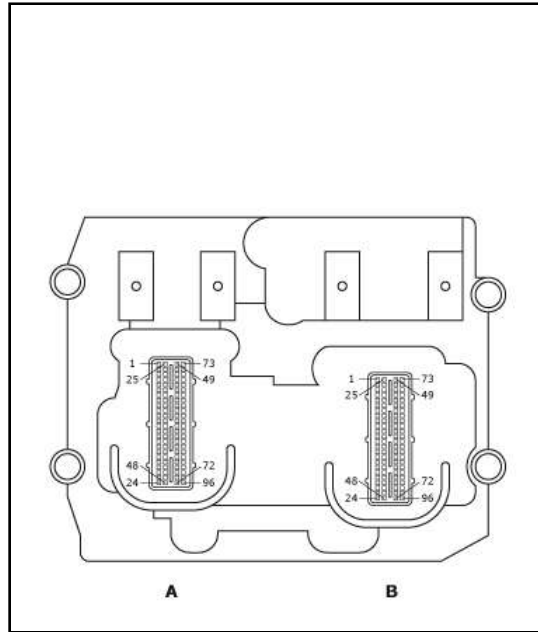
Component list

B1	Starting battery
E1	Engine management control unit
E137	Speedometer module
E193	Engine operation hours indicator
E194	Variable geometry turbine control module
E340	Ammonia probe module
FUSE1	30 A fuse
FUSE2	10 A fuse
FUSE3	5 A fuse
FUSE4	Fuse amp not defined
FUSE5	Fuse amp not defined
FUSE6	10 A fuse
FUSE7	5 A fuse
FUSE8	15 A fuse
FUSE9	10 A fuse
G1	Alternator
H62	Engine block oil heater
H8-1	Reducing additive pipeline heater
H8-2	Reducing additive pipeline heater
H8-3	Reducing additive pipeline heater
I1	Ignition Switch
I106	Cruise control switch
I107	Speed regulator-limiter switch
I149	A/C pressure switch
I2-1	Brake pedal switch
I2-2	Brake pedal switch
I226	Ignition lock switch
I249	Emergency mode switch
I49	Particulate filter regeneration switch
I5	Clutch pedal switch
I50	Parking brake switch
I51-1	Engine brake switch
I51-2	Engine brake switch
I547	Multi speed axle control switch
I553	Set and resume speed switch
I562	Accelerator lock switch
I627	Air shut-off solenoid valve position switch
I628	Air shut-off solenoid valve test switch
I629	Air shut-off solenoid valve cut-off switch
I630	Engine protection deactivation switch
I631	Engine cooling fan manual control switch
I632	Engine protection switch
I633	Particulate filter regeneration enabling switch

I634	External accelerator enabling switch
I93	Power take-off switch
J201	Magnetic common rail injector of cylinder n. 1
J202	Magnetic common rail injector of cylinder n. 2
J203	Magnetic common rail injector of cylinder n. 3
J204	Magnetic common rail injector of cylinder n. 4
J205	Cylinder 5 magnetic common rail injector
J206	Cylinder 6 magnetic common rail injector
L1	Engine malfunction indicator lamp MIL
L225	Exhaust gas overheating warning light
L27	Engine shutdown warning light
L274	Air shut-off solenoid valve position warning light
L275	Engine fault warning light
L276	Clogged particulate filter warning light
L29	Pre-heating glow plug warning lamp
L79	Reducing additive level light
M1	Starter motor
M101	EGR throttle valve motor with potentiometer
M24	Rotary EGR valve control motor with digital position sensor
N3	Engine cooling fan clutch solenoid
P1	Fuel pump
P38	Additive pump module with pressure sensor
PS	The dotted connections may not be present
R14	Engine stop relay
R245	Reducing additive pipeline heater relay
R247	Reducing additive dosing module heater relay
R43	Stop lights relay
R45	Starter motor relay
S128	Outside air temperature sensor
S158	Water-in-fuel sensor
S189	High pressure fuel sensor
S19	Hall timing sensor
S22	Hall effect speed sensor
S29	Fuel level sensor
S3	Accelerator potentiometer
S30	Reducing additive level and temperature sensor
S32	Coolant level sensor
S34	Electronic accelerator pedal sensor
S363	Turbine speed sensor
S365	Particulate filter meter fuel input pressure sensor
S419	Vehicle speed sensor
S421	Exhaust gas recirculation differential pressure sensor
S425	Engine cooling fan speed sensor
S45	Atmospheric pressure sensor
S47	Intake air temperature and pressure sensor
S489	Exhaust gas recirculation temperature sensor
S490	Exhaust gas recirculation pressure sensor

S51	Exhaust gas pressure sensor
S529	Ammonia probe
S55	Oil pressure sensor
S59	Intake air temperature sensor
S6	Accelerator dual potentiometer
S623	Particulate filter exhaust gas differential pressure and downstream pressure sensor
S626	Oxidation catalyst exhaust gas temperature sensor module
S627	Particulate filter exhaust gas temperature sensor module
S654	Reducing additive level and quality, temperature sensor module
S68	Coolant temperature sensor
S72	Oil temperature sensor
S737	NOx sensor upstream of the SCR catalyst
S738	NOx sensor downstream of the SCR catalyst
S85	Crankcase oil vapor pressure sensor
V149	Additive tank heating solenoid valve
V21	High pressure fuel metering solenoid valve
V361	Air shut-off solenoid valve
V371	Particulate filter fuel meter solenoid valve
V372	Particulate filter fuel cut-off solenoid valve
V51	Particulate filter air bleed solenoid valve
V538	Cold start ether injection solenoid valve
V598	Reducing additive dosing module solenoid valve
V86	Engine brake solenoid valve
X0	Interconnection plug
X1	Diagnostic socket
X69	Connector J1939

Heavy & Medium Duty/FREIGHTLINER/Cummins/---//CMMNS/
Cummins/ISX15/-/-/CM2350



Control unit side connector pinout

A = 96 (J1)

B = 96 (J2)