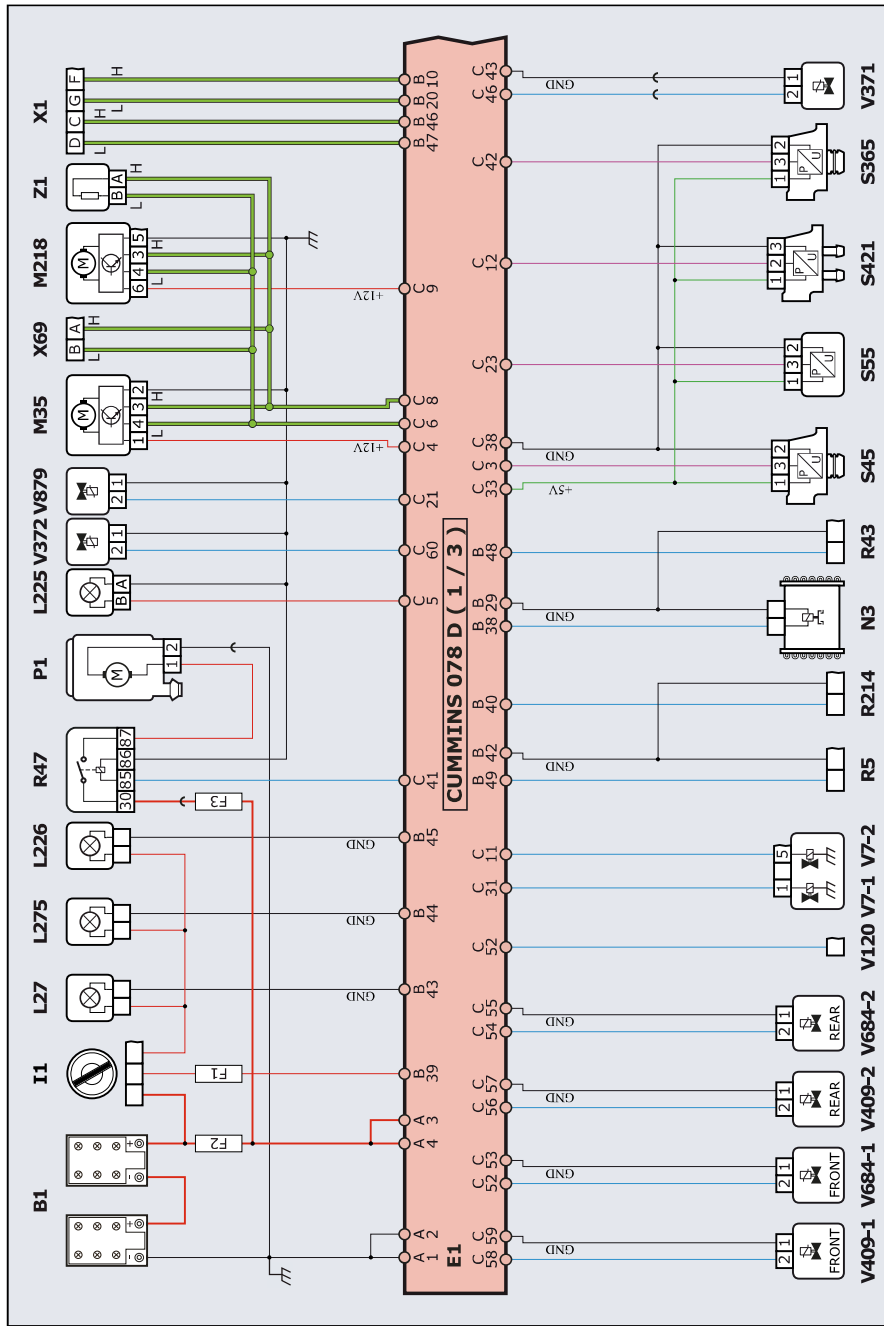
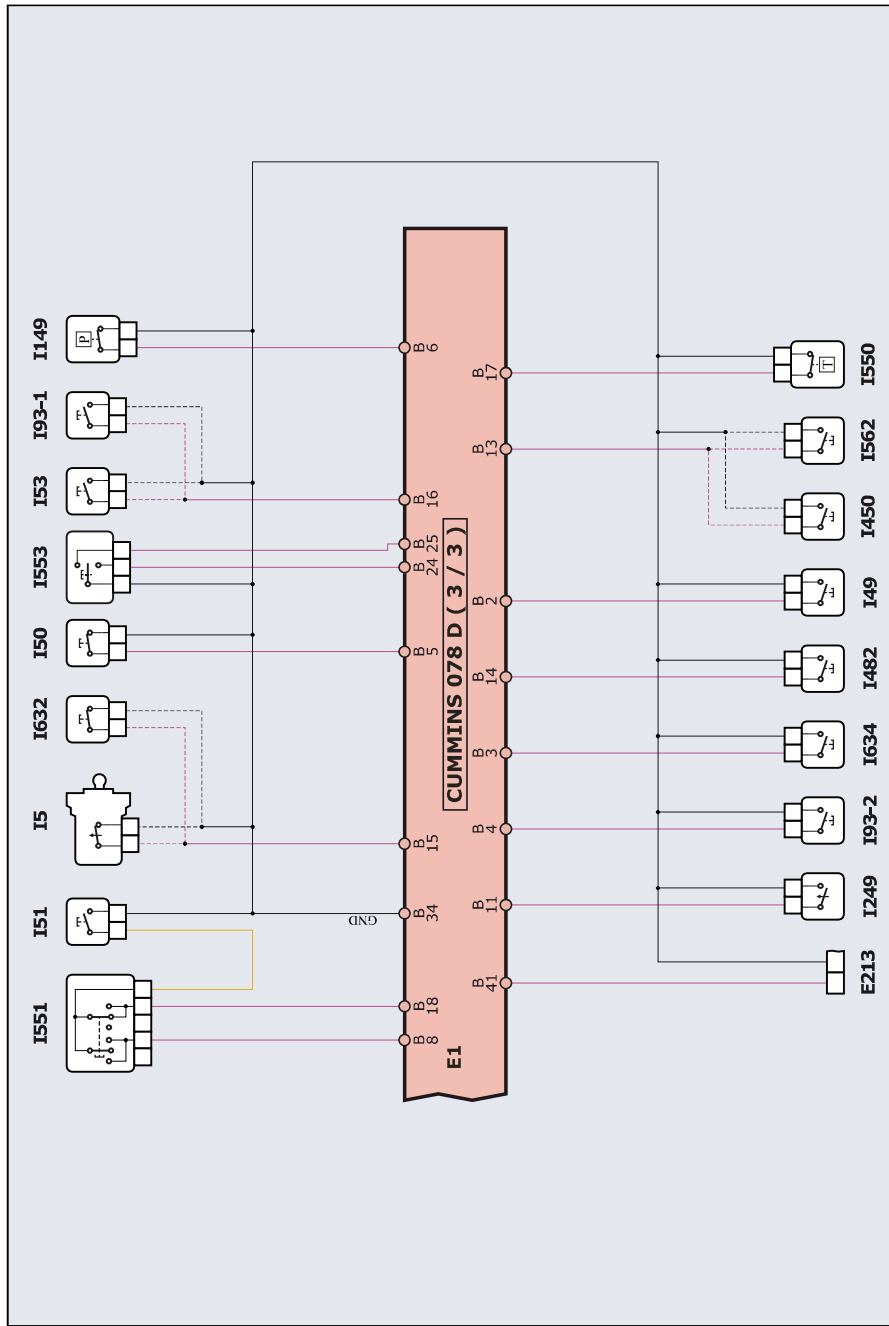


Heavy & Medium Duty/FREIGHTLINER/Cummins/---//CMMNS/
Cummins/ISX/-/-/CM871



Heavy & Medium Duty/FREIGHTLINER/Cummins/---//CMMNS/
Cummins/ISX/-/-/CM871



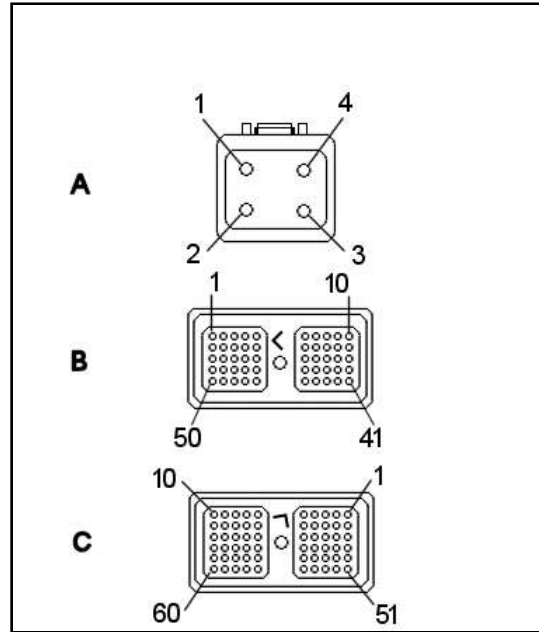
**Heavy & Medium Duty/FREIGHTLINER/Cummins/---//CMMNS/
Cummins/ISX/-/-/CM871**

Component list

B1	Starting battery
E1	Engine management control unit
E213	Analog rev indicator
F1	5 A fuse
F2	30 A fuse
F3	10 A fuse
I1	Ignition Switch
I149	A/C pressure switch
I249	Emergency mode switch
I450	Engine torque limitation switch
I482	Engine speed setting switch
I49	Particulate filter regeneration switch
I5	Clutch pedal switch
I50	Parking brake switch
I51	Engine brake switch
I53	Speed setting switch
I550	Engine cooling fan switch
I551	Engine brake level switch
I553	Set and resume speed switch
I562	Accelerator lock switch
I632	Engine protection switch
I634	External accelerator enabling switch
I93-1	Power take-off switch
I93-2	Power take-off switch
L225	Exhaust gas overheating warning light
L226	Particulate filter regeneration warning light
L27	Engine shutdown warning light
L275	Engine fault warning light
M218	EGR valve motor module
M35	Variable geometry turbine adjustment motor module
N3	Engine cooling fan clutch solenoid
P1	Fuel pump
PS	The dotted connections may not be present
R214	Cold start ether injection relay
R43	Stop lights relay
R47	Fuel pump relay
R5	Immobilizer relay
S101	Particulate filter exhaust gas differential pressure sensor
S128	Outside air temperature sensor
S158	Water-in-fuel sensor
S19	Hall timing sensor
S22	Hall effect speed sensor
S3	Accelerator potentiometer

S32	Coolant level sensor
S363	Turbine speed sensor
S365	Particulate filter meter fuel input pressure sensor
S419	Vehicle speed sensor
S421	Exhaust gas recirculation differential pressure sensor
S423	Exhaust gas temperature sensor upstream of the oxidation catalyst
S425	Engine cooling fan speed sensor
S45	Atmospheric pressure sensor
S489	Exhaust gas recirculation temperature sensor
S50	Boost pressure and temperature sensor
S51	Exhaust gas pressure sensor
S55	Oil pressure sensor
S577	Fuel pressure sensor
S59	Intake air temperature sensor
S6	Accelerator dual potentiometer
S60	Fuel temperature sensor
S64	Exhaust gas temperature sensor upstream of the particulate filter
S67	Exhaust gas temperature sensor downstream of the particulate filter
S68	Coolant temperature sensor
S72	Oil temperature sensor
S742	External accelerator potentiometer
S85	Crankcase oil vapor pressure sensor
V120	Fuel cut-off solenoid valve
V371	Particulate filter fuel meter solenoid valve
V372	Particulate filter fuel cut-off solenoid valve
V409-1	Fuel delivery control solenoid valve
V409-2	Fuel delivery control solenoid valve
V684-1	Injection timing advance adjustment solenoid valve
V684-2	Injection timing advance adjustment solenoid valve
V7-1	Solenoid valve
V7-2	Solenoid valve
V879	Particulate filter fuel purge solenoid valve
X1	Diagnostic socket
X69	Connector J1939
Z1	Terminating resistor

Heavy & Medium Duty/FREIGHTLINER/Cummins/---//CMMNS/
Cummins/ISX/-/-/CM871



Wiring side connector pinout

- A = 4
- B = 50
- C = 60