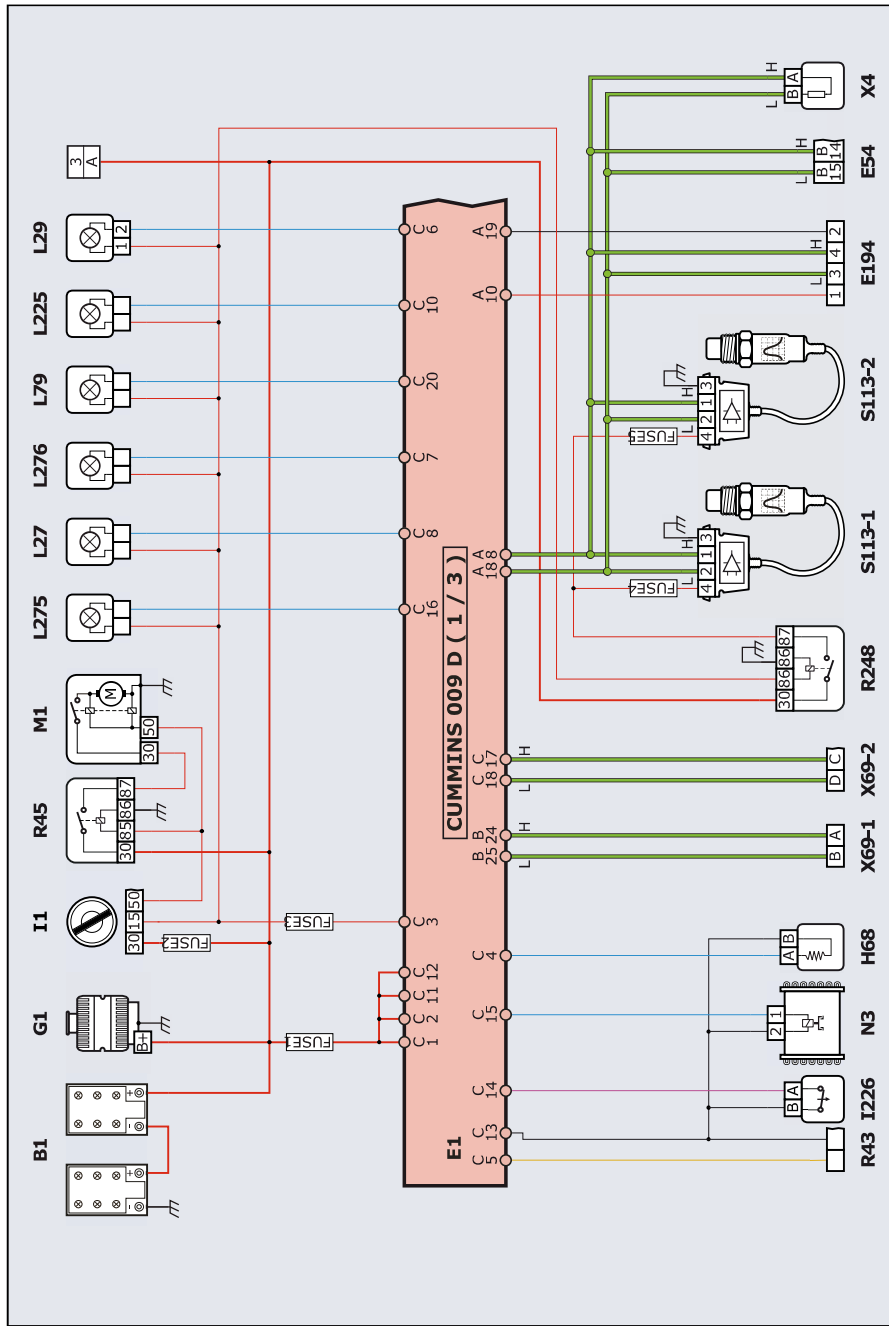


Heavy & Medium Duty/FREIGHTLINER/Cummins/---/CMMNS/  
Cummins/ISB6.7/-/-/CM2250







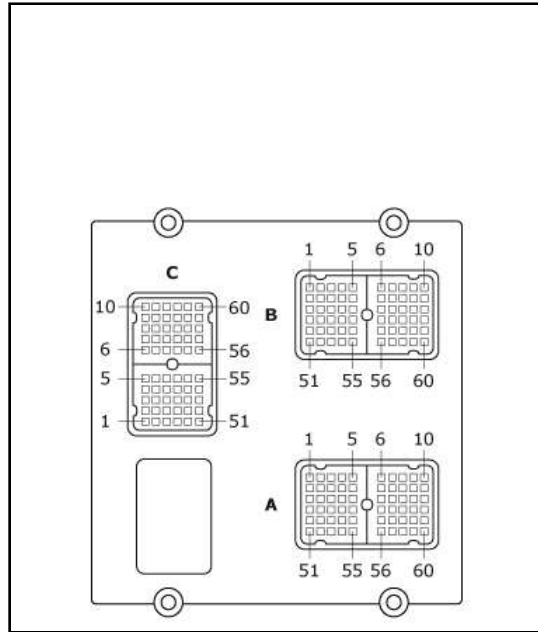
**Heavy & Medium Duty/FREIGHTLINER/Cummins/---//CMMNS/  
Cummins/ISB6.7/-/-/CM2250**

**Component list**

|       |   |
|-------|---|
| B1    | Starting battery                                    |
| E1    | Engine management control unit                      |
| E137  | Speedometer module                                  |
| E193  | Engine operation hours indicator                    |
| E194  | Variable geometry turbine control module            |
| E54   | Exhaust gas after treatment electronic control unit |
| FUSE1 | 30 A fuse   |
| FUSE2 | 10 A fuse   |
| FUSE3 | 5 A fuse  |
| FUSE4 | 10 A fuse   |
| FUSE5 | 10 A fuse   |
| FUSE6 | 5 A fuse  |
| FUSE7 | 5 A fuse  |
| G1    | Alternator  |
| H68   | Intake air heater                                   |
| I1    | Ignition Switch                                     |
| I106  | Cruise control switch                               |
| I107  | Speed regulator-limiter switch                      |
| I149  | A/C pressure switch                                 |
| I155  | Oil pressure switch                                 |
| I2    | Brake pedal switch                                  |
| I226  | Ignition lock switch                                |
| I49   | Particulate filter regeneration switch              |
| I5    | Clutch pedal switch                                 |
| I50   | Parking brake switch                                |
| I51   | Engine brake switch                                 |
| I547  | Multi speed axle control switch                     |
| I553  | Set and resume speed switch                         |
| I562  | Accelerator lock switch                             |
| I627  | Air shut-off solenoid valve position switch         |
| I628  | Air shut-off solenoid valve test switch             |
| I629  | Air shut-off solenoid valve cut-off switch          |
| I630  | Engine protection deactivation switch               |
| I631  | Engine cooling fan manual control switch            |
| I632  | Engine protection switch                            |
| I633  | Particulate filter regeneration enabling switch     |
| I634  | External accelerator enabling switch                |
| I93   | Power take-off switch                               |
| J201  | Magnetic common rail injector of cylinder n. 1      |
| J202  | Magnetic common rail injector of cylinder n. 2      |
| J203  | Magnetic common rail injector of cylinder n. 3      |
| J204  | Magnetic common rail injector of cylinder n. 4      |
| J205  | Cylinder 5 magnetic common rail injector            |

|        |   |
|--------|---|
| J206   | Cylinder 6 magnetic common rail injector  |
| L225   | Exhaust gas overheating warning light   |
| L27    | Engine shutdown warning light   |
| L274   | Air shut-off solenoid valve position warning light                                  |
| L275   | Engine fault warning light  |
| L276   | Clogged particulate filter warning light  |
| L29    | Pre-heating glow plug warning lamp  |
| L79    | Reducing additive level light   |
| M1     | Starter motor   |
| M24    | Rotary EGR valve control motor with digital position sensor                         |
| N3     | Engine cooling fan clutch solenoid  |
| R248   | NOx probe relay   |
| R43    | Stop lights relay   |
| R45    | Starter motor relay   |
| S113-1 | NOx sensor  |
| S113-2 | NOx sensor  |
| S158   | Water-in-fuel sensor  |
| S189   | High pressure fuel sensor   |
| S19    | Hall timing sensor  |
| S22    | Hall effect speed sensor  |
| S24    | Inductive RPM sensor  |
| S3     | Accelerator potentiometer   |
| S32    | Coolant level sensor  |
| S363   | Turbine speed sensor  |
| S374   | Exhaust gas temperature sensor upstream of the SCR catalyst                         |
| S375   | Exhaust gas temperature sensor downstream of the SCR catalyst                       |
| S421   | Exhaust gas recirculation differential pressure sensor                              |
| S423   | Exhaust gas temperature sensor upstream of the oxidation catalyst                   |
| S425   | Engine cooling fan speed sensor   |
| S47    | Intake air temperature and pressure sensor  |
| S489   | Exhaust gas recirculation temperature sensor  |
| S50    | Boost pressure and temperature sensor   |
| S51    | Exhaust gas pressure sensor   |
| S6     | Accelerator dual potentiometer  |
| S623   | Particulate filter exhaust gas differential pressure and downstream pressure sensor |
| S64    | Exhaust gas temperature sensor upstream of the particulate filter                   |
| S67    | Exhaust gas temperature sensor downstream of the particulate filter                 |
| S68    | Coolant temperature sensor  |
| S85    | Crankcase oil vapor pressure sensor   |
| V22    | Low pressure fuel metering solenoid valve   |
| V361   | Air shut-off solenoid valve   |
| X0     | Interconnection plug  |
| X4     | Termination resistance connector  |
| X69-1  | Connector J1939   |
| X69-2  | Connector J1939   |

Heavy & Medium Duty/FREIGHTLINER/Cummins/---//CMMNS/  
Cummins/ISB6.7/-/-/CM2250



Control unit side connector pinout

- A = 60 ( EC1 )
- B = 60 ( EC2 )
- C = 60 ( OEM )