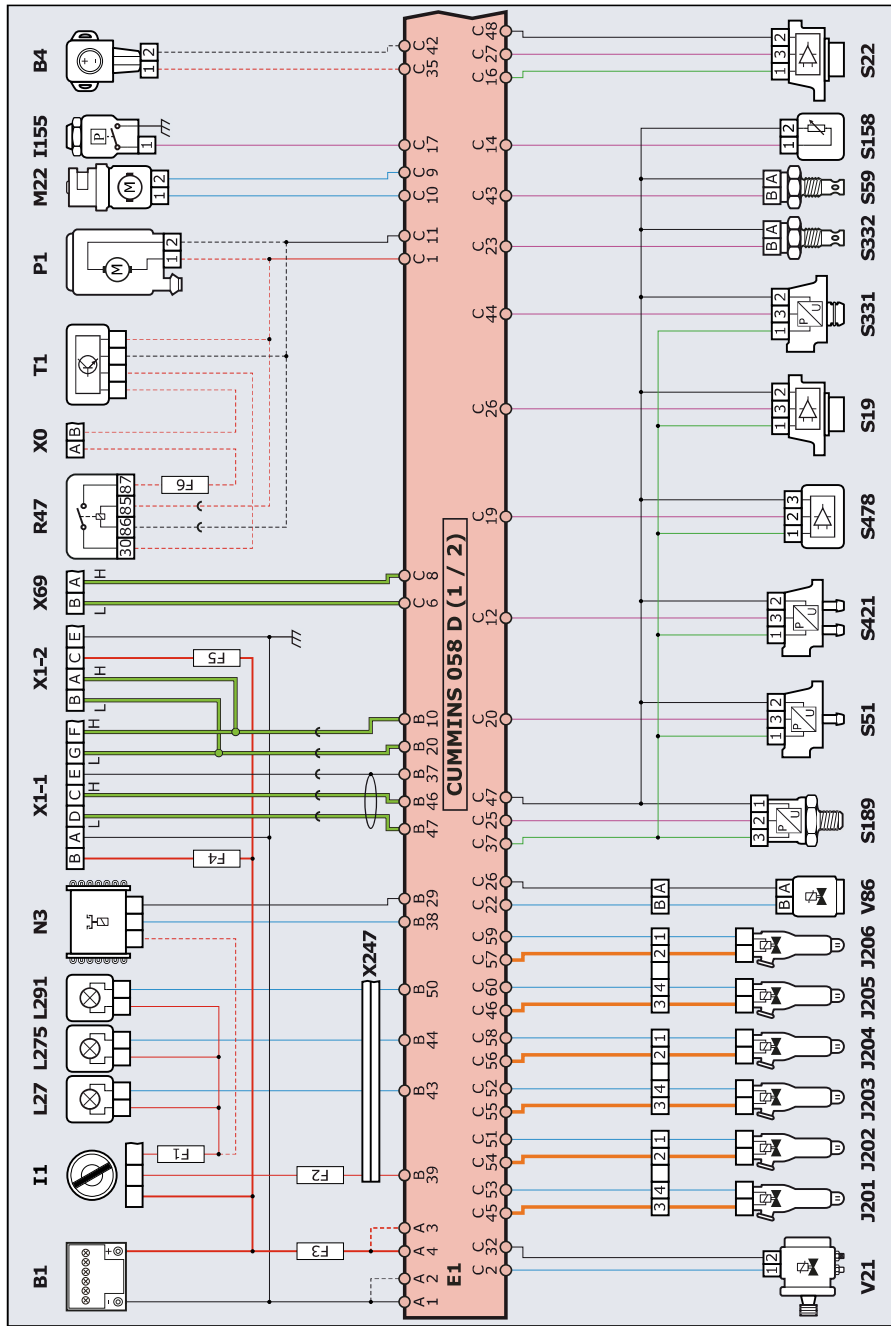
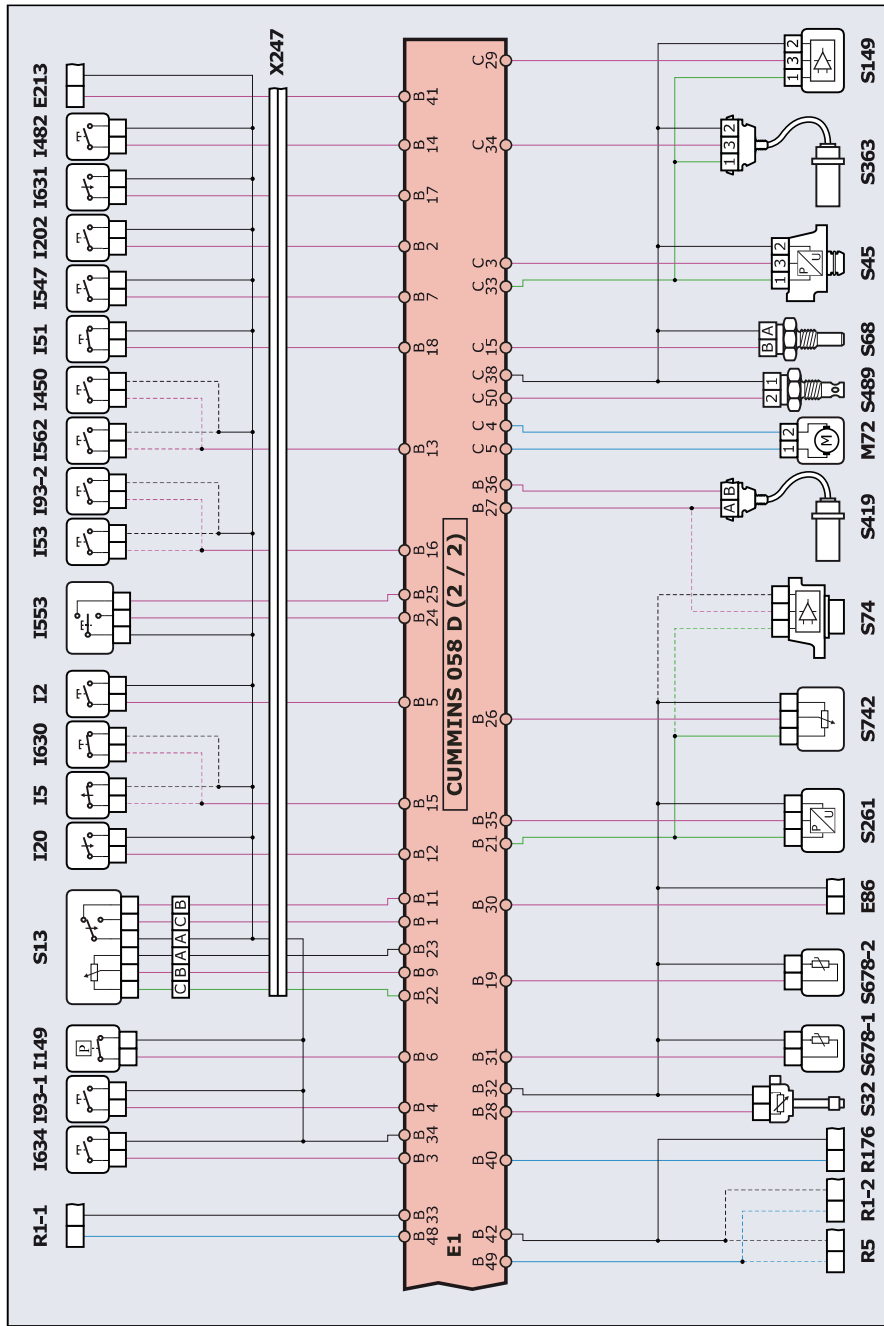


Heavy & Medium Duty/FREIGHTLINER/Cummins/---//CMMNS/  
Cummins/ISB5.9/-/-/CM850



Heavy & Medium Duty/FREIGHTLINER/Cummins/---//CMMNS/  
Cummins/ISB5.9/-/-/CM850



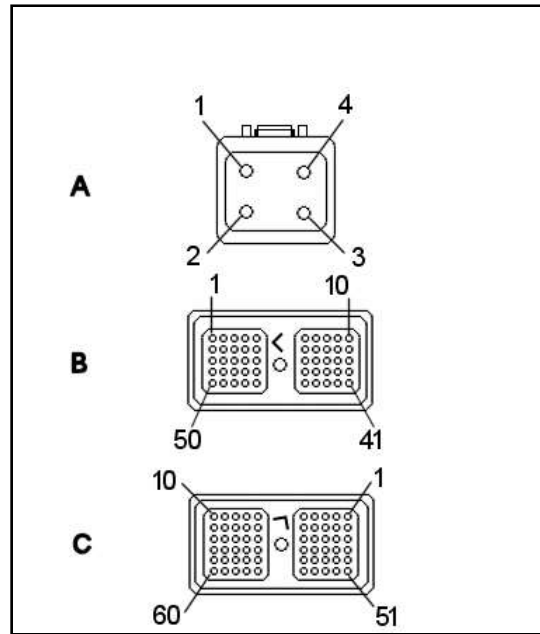
**Heavy & Medium Duty/FREIGHTLINER/Cummins/---//CMMNS/  
Cummins/ISB5.9/-/-/CM850**

**Component list**

B1	Starting battery
B4	Backup battery
E1	Engine management control unit
E213	Analog rev indicator
E86	Rpm indicator
F1	Fuse amp not defined
F2	5 A fuse
F3	30 A fuse
F4	1 A fuse
F5	1 A fuse
F6	Fuse amp not defined
I1	Ignition Switch
I149	A/C pressure switch
I155	Oil pressure switch
I2	Brake pedal switch
I20-1	Switch
I202	Diagnostic switch
I450	Engine torque limitation switch
I482	Engine speed setting switch
I5	Clutch pedal switch
I51	Engine brake switch
I53	Speed setting switch
I547	Multi speed axle control switch
I553	Set and resume speed switch
I562	Accelerator lock switch
I630	Engine protection deactivation switch
I631	Engine cooling fan manual control switch
I634	External accelerator enabling switch
I93-1	Power take-off switch
I93-2	Power take-off switch
J201	Magnetic common rail injector of cylinder n. 1
J202	Magnetic common rail injector of cylinder n. 2
J203	Magnetic common rail injector of cylinder n. 3
J204	Magnetic common rail injector of cylinder n. 4
J205	Cylinder 5 magnetic common rail injector
J206	Cylinder 6 magnetic common rail injector
L27	Engine shutdown warning light
L275	Engine fault warning light
L291	Wait-to-start warning light
M22	Rotary EGR valve motor
M72	Variable geometry turbine control motor
N3	Engine cooling fan clutch solenoid
P1	Fuel pump

PS	The dotted connections may not be present
R1-1	Relay
R1-2	Relay
R176	Grid heater relay
R47	Fuel pump relay
R5	Immobilizer relay
S13	Accelerator pedal potentiometer with idle switch
S149	Variable geometry turbine position sensor
S158	Water-in-fuel sensor
S189	High pressure fuel sensor
S19	Hall timing sensor
S22	Hall effect speed sensor
S261	Pressure sensor
S32	Coolant level sensor
S331	Intake manifold air pressure sensor
S332	Intake manifold air temperature sensor
S363	Turbine speed sensor
S419	Vehicle speed sensor
S421	Exhaust gas recirculation differential pressure sensor
S45	Atmospheric pressure sensor
S478	RGR position sensor
S489	Exhaust gas recirculation temperature sensor
S51	Exhaust gas pressure sensor
S59	Intake air temperature sensor
S678-1	Temperature sensor
S678-2	Temperature sensor
S68	Coolant temperature sensor
S74	Vehicle speed Hall sensor
S742	External accelerator potentiometer
T1	Voltage transformer
V21	High pressure fuel metering solenoid valve
V86	Engine brake solenoid valve
X0	Interconnection plug
X1-1	Diagnostic socket
X1-2	Diagnostic socket
X247	Cabin-chassis interconnection
X69	Connector J1939

Heavy & Medium Duty/FREIGHTLINER/Cummins/---//CMMNS/  
Cummins/ISB5.9/-/-/CM850



Wiring side connector pinout

- A = 4
- B = 50
- C = 60