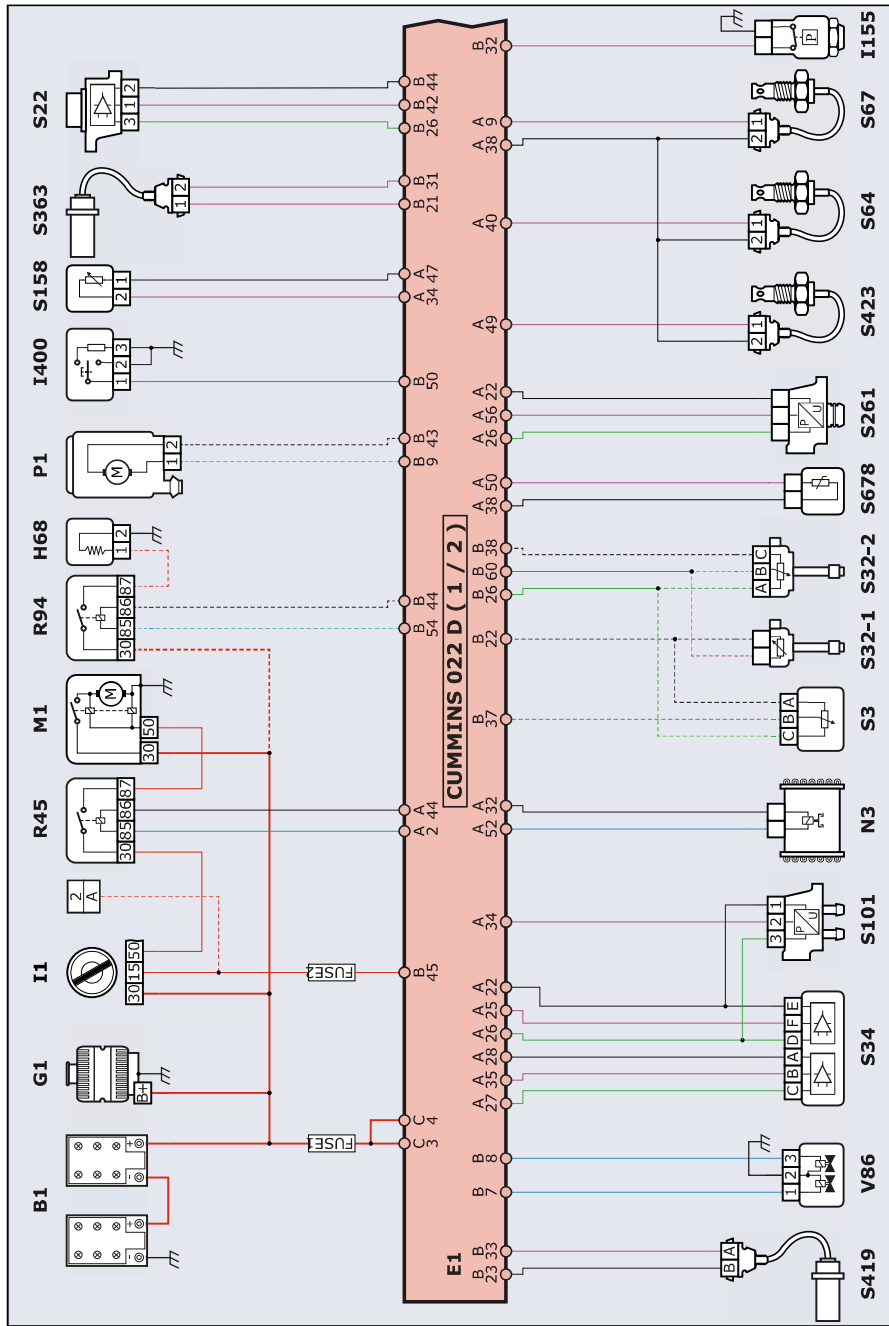
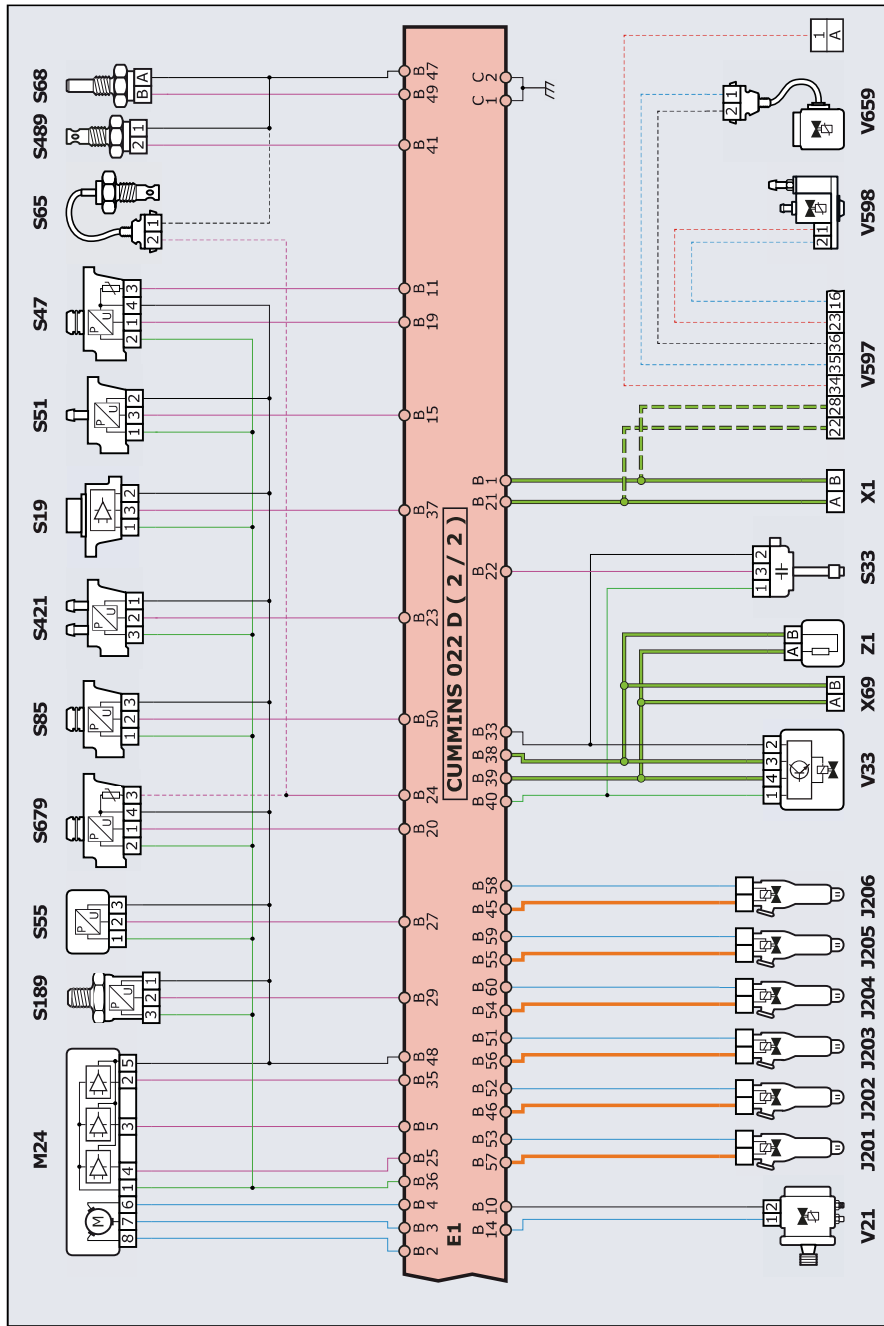


Heavy & Medium Duty/FREIGHTLINER/Cummins/---//CMMNS/
Cummins/ISB, ISC, ISL/-/-/CM2150



Heavy & Medium Duty/FREIGHTLINER/Cummins/---//CMMNS/
Cummins/ISB, ISC, ISL/-/-/CM2150



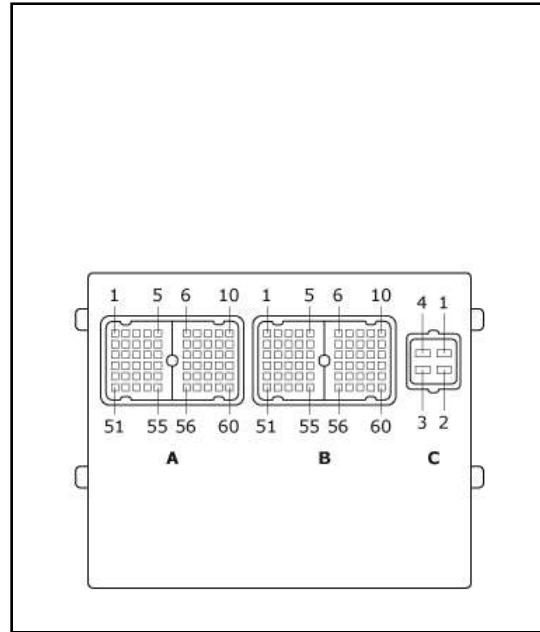
**Heavy & Medium Duty/FREIGHTLINER/Cummins/---//CMMNS/
Cummins/ISB, ISC, ISL/-/-/CM2150**

Component list

B1	Starting battery
E1	Engine management control unit
FUSE1	30 A fuse
FUSE2	5 A fuse
G1	Alternator
H68	Intake air heater
I1	Ignition Switch
I155	Oil pressure switch
I400	Engine mapping selection switch
J201	Magnetic common rail injector of cylinder n. 1
J202	Magnetic common rail injector of cylinder n. 2
J203	Magnetic common rail injector of cylinder n. 3
J204	Magnetic common rail injector of cylinder n. 4
J205	Cylinder 5 magnetic common rail injector
J206	Cylinder 6 magnetic common rail injector
M1	Starter motor
M24	Rotary EGR valve control motor with digital position sensor
N3	Engine cooling fan clutch solenoid
P1	Fuel pump
PS	The dotted connections may not be present
R45	Starter motor relay
R94	Intake air heater relay
S101	Particulate filter exhaust gas differential pressure sensor
S158	Water-in-fuel sensor
S189	High pressure fuel sensor
S19	Hall timing sensor
S22	Hall effect speed sensor
S261	Pressure sensor
S3	Accelerator potentiometer
S32-1	Coolant level sensor
S32-2	Coolant level sensor
S33	Oil level sensor
S34	Electronic accelerator pedal sensor
S363	Turbine speed sensor
S419	Vehicle speed sensor
S421	Exhaust gas recirculation differential pressure sensor
S423	Exhaust gas temperature sensor upstream of the oxidation catalyst
S47	Intake air temperature and pressure sensor
S489	Exhaust gas recirculation temperature sensor
S51	Exhaust gas pressure sensor
S55	Oil pressure sensor
S64	Exhaust gas temperature sensor upstream of the particulate filter
S65	Exhaust gas temperature sensor upstream of the turbine

S67	Exhaust gas temperature sensor downstream of the particulate filter
S678	Temperature sensor
S679	Outside air temperature and atmospheric pressure sensor
S68	Coolant temperature sensor
S85	Crankcase oil vapor pressure sensor
V21	High pressure fuel metering solenoid valve
V33	Variable geometry turbine regulation solenoid valve module
V597	Reducing additive dosing module
V598	Reducing additive dosing module solenoid valve
V659	Reducing additive air solenoid valve
V86	Engine brake solenoid valve
X1	Diagnostic socket
X69	Connector J1939
Z1	Terminating resistor

Heavy & Medium Duty/FREIGHTLINER/Cummins/---//CMMNS/
Cummins/ISB, ISC, ISL/-/-/CM2150



Control unit side connector pinout

- C = 4
- A = 60
- B = 60