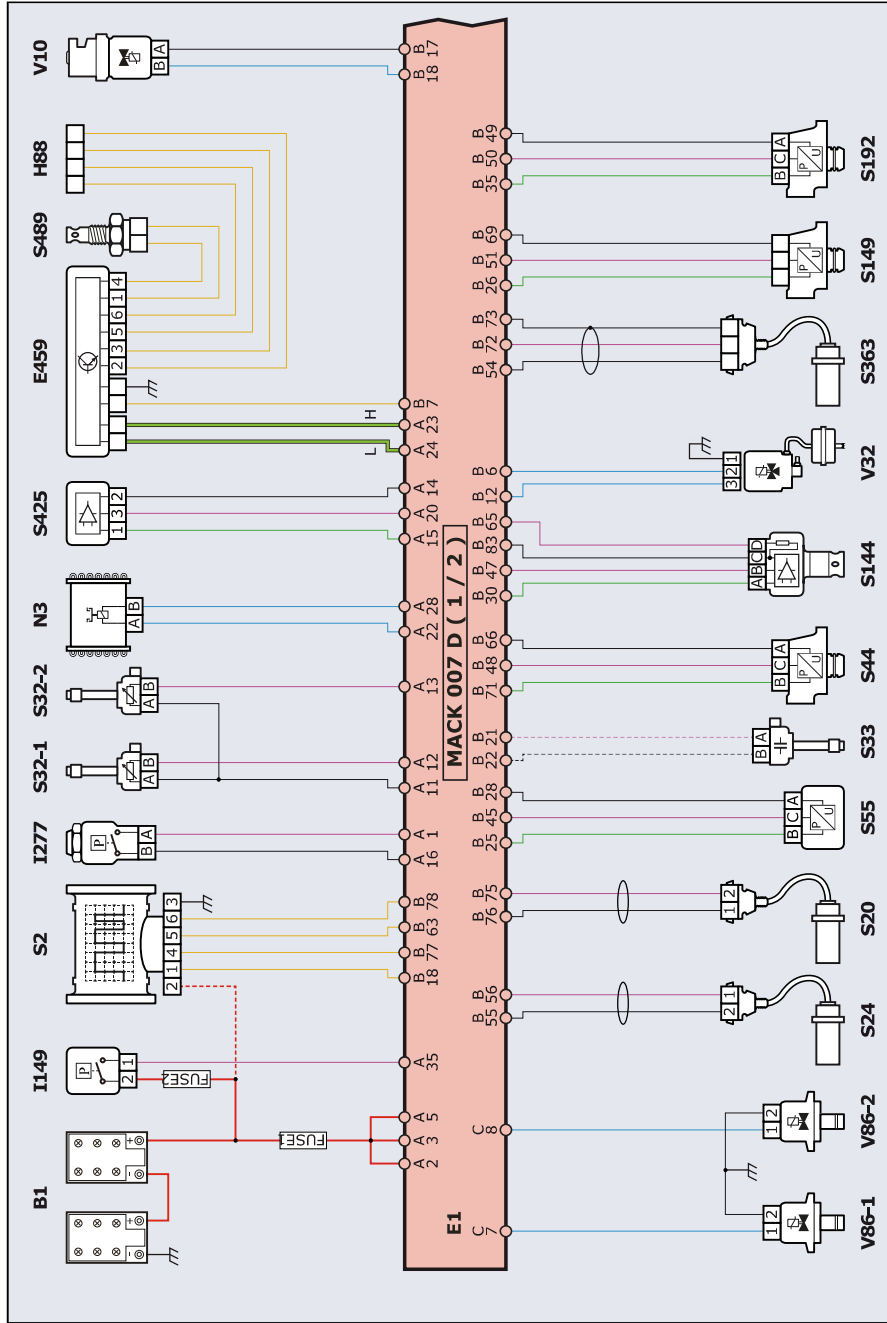
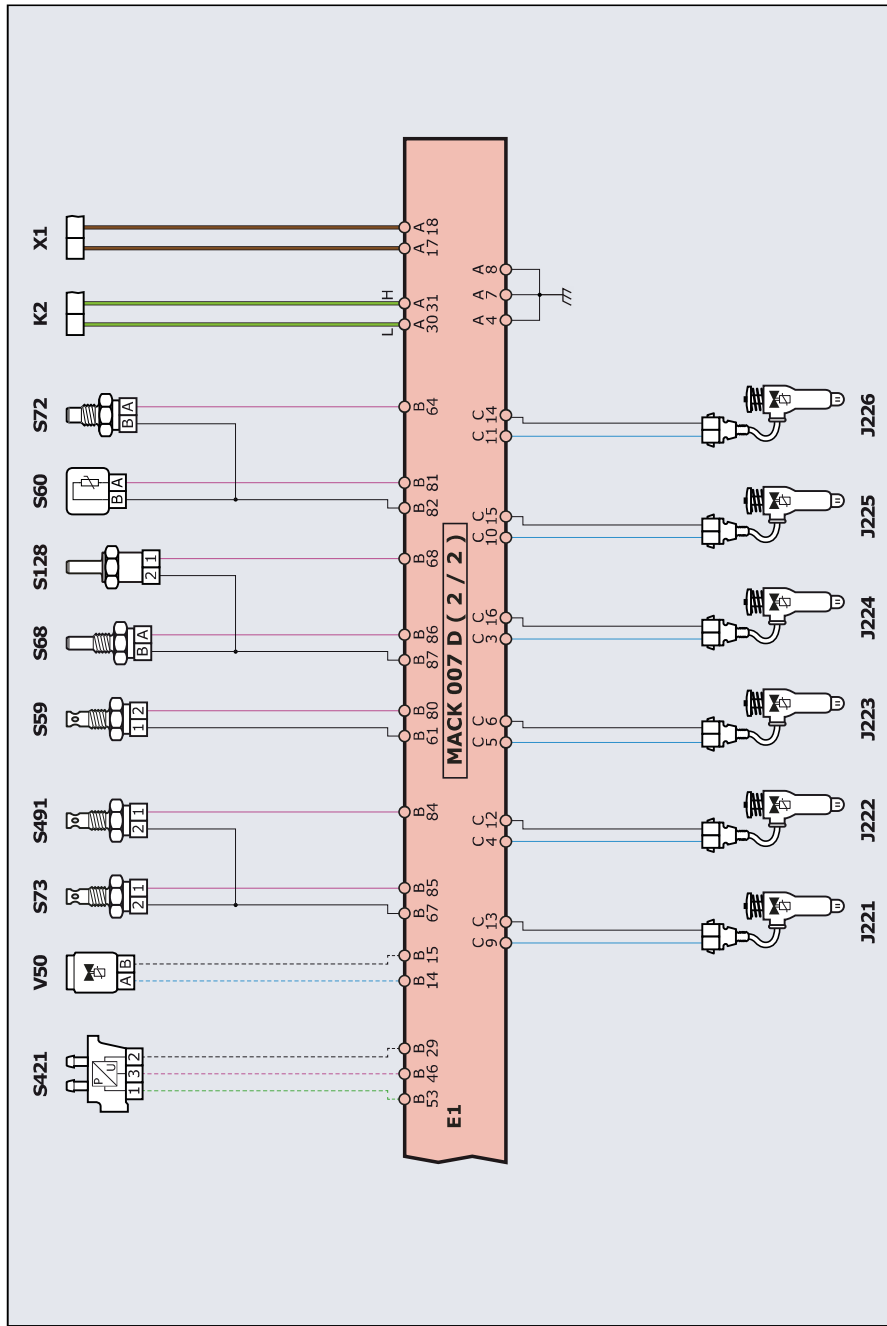


Heavy & Medium Duty/MACK/Mack/III Generation with DEUTSCH 9 PIN connector//MACK/  
Bosch/EDC/7/-/-



Heavy & Medium Duty/MACK/Mack/III Generation with DEUTSCH 9 PIN connector//MACK/  
Bosch/EDC/7/-/-

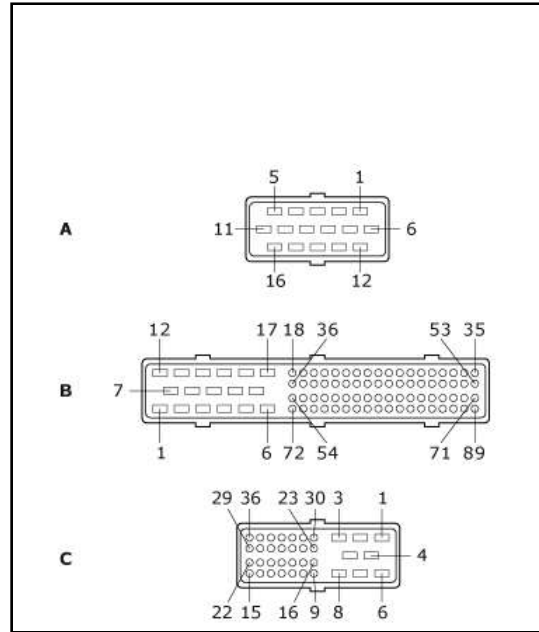


**Heavy & Medium Duty/MACK/Mack/III Generation with DEUTSCH 9 PIN connector//MACK/  
Bosch/EDC/7/-/-****Component list**

B1	Starting battery
E1	Engine management control unit
E459	Exhaust gas recirculation mass flow sensor module
FUSE1	30 A fuse
FUSE2	15 A fuse
H88	Exhaust gas recirculation heater
I149	A/C pressure switch
I277	Air filter clogging switch
J221	Cylinder 1 magnetic injector-pump
J222	Cylinder 2 magnetic injector-pump
J223	Cylinder 3 magnetic injector-pump
J224	Cylinder 4 magnetic injector-pump
J225	Electromagnetic unit injector, cylinder 5
J226	Electromagnetic unit injector, cylinder 6
K2	High speed CAN line
N3	Engine cooling fan clutch solenoid
PS	The dotted connections may not be present
S128	Outside air temperature sensor
S144	Intake air humidity and temperature sensor
S149	Variable geometry turbine position sensor
S192	Boost pressure sensor
S2	Digital air mass meter
S20	Inductive phase sensor
S24	Inductive RPM sensor
S32-1	Coolant level sensor
S32-2	Coolant level sensor
S33	Oil level sensor
S363	Turbine speed sensor
S421	Exhaust gas recirculation differential pressure sensor
S425	Engine cooling fan speed sensor
S44	Intake air pressure sensor
S489	Exhaust gas recirculation temperature sensor
S491	Boost air temperature downstream of the intercooler
S55	Oil pressure sensor
S59	Intake air temperature sensor
S60	Fuel temperature sensor
S68	Coolant temperature sensor
S72	Oil temperature sensor
S73	Boost temperature sensor
V10	EGR solenoid valve
V32	Variable geometry turbine regulation solenoid valve
V50	EGR-cooler by-pass solenoid valve
V86-1	Engine brake solenoid valve

V86-2	Engine brake solenoid valve
X1	Diagnostic socket

**Heavy & Medium Duty/MACK/Mack/III Generation with DEUTSCH 9 PIN connector//MACK/  
Bosch/EDC/7/-/-**



Control unit side connector pinout

A = 16

B = 89

C = 36