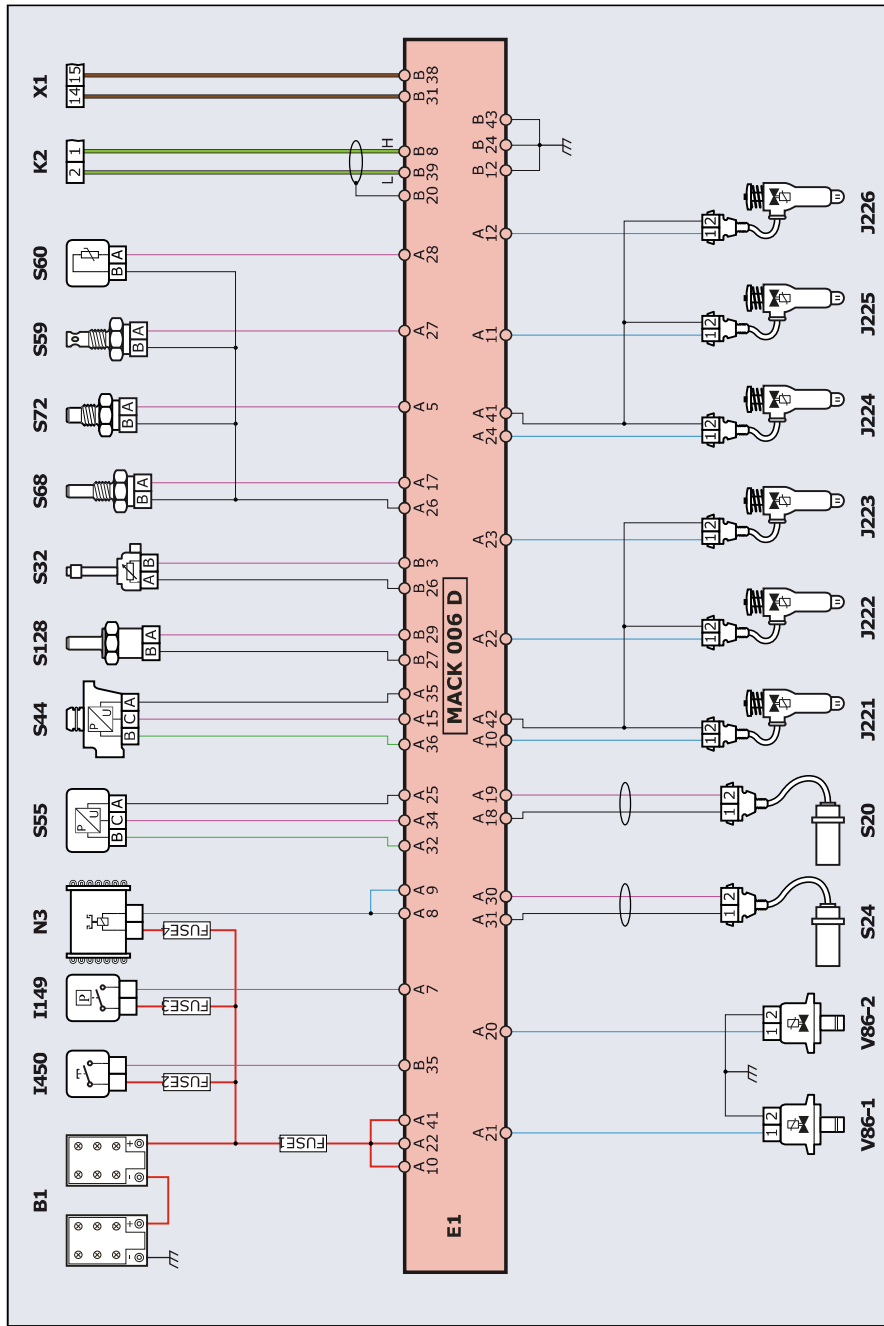


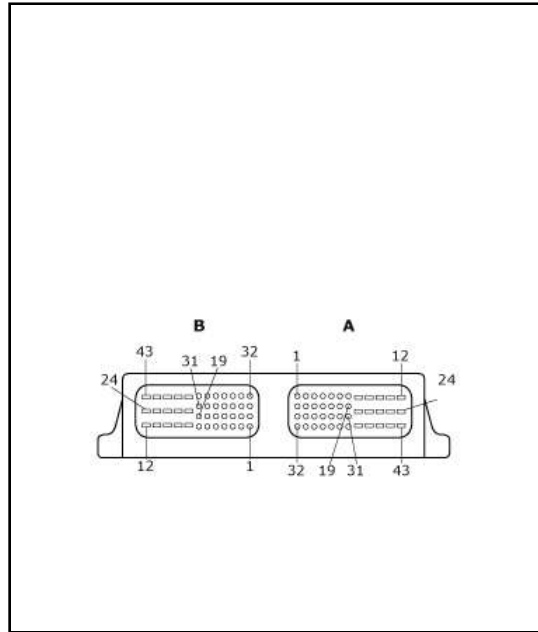
Heavy & Medium Duty/MACK/Mack/III Generation with DEUTSCH 9 PIN connector//MACK/  
Bosch/EDC/MS 6.2/-/-



**Heavy & Medium Duty/MACK/Mack/III Generation with DEUTSCH 9 PIN connector//MACK/  
Bosch/EDC/MS 6.2/-/-****Component list**

B1	Starting battery
E1	Engine management control unit
FUSE1	25 A fuse
FUSE2	15 A fuse
FUSE3	15 A fuse
FUSE4	15 A fuse
I149	A/C pressure switch
I450	Engine torque limitation switch
J221	Cylinder 1 magnetic injector-pump
J222	Cylinder 2 magnetic injector-pump
J223	Cylinder 3 magnetic injector-pump
J224	Cylinder 4 magnetic injector-pump
J225	Electromagnetic unit injector, cylinder 5
J226	Electromagnetic unit injector, cylinder 6
N3	Engine cooling fan clutch solenoid
S128	Outside air temperature sensor
S20	Inductive phase sensor
S24	Inductive RPM sensor
S32	Coolant level sensor
S44	Intake air pressure sensor
S55	Oil pressure sensor
S59	Intake air temperature sensor
S60	Fuel temperature sensor
S68	Coolant temperature sensor
S72	Oil temperature sensor
V86-1	Engine brake solenoid valve
V86-2	Engine brake solenoid valve
X1	Diagnostic socket

**Heavy & Medium Duty/MACK/Mack/III Generation with DEUTSCH 9 PIN connector//MACK/  
Bosch/EDC/MS 6.2/-/-**



Control unit side connector pinout

A = 43 ( J1 )

B = 43 ( J2 )