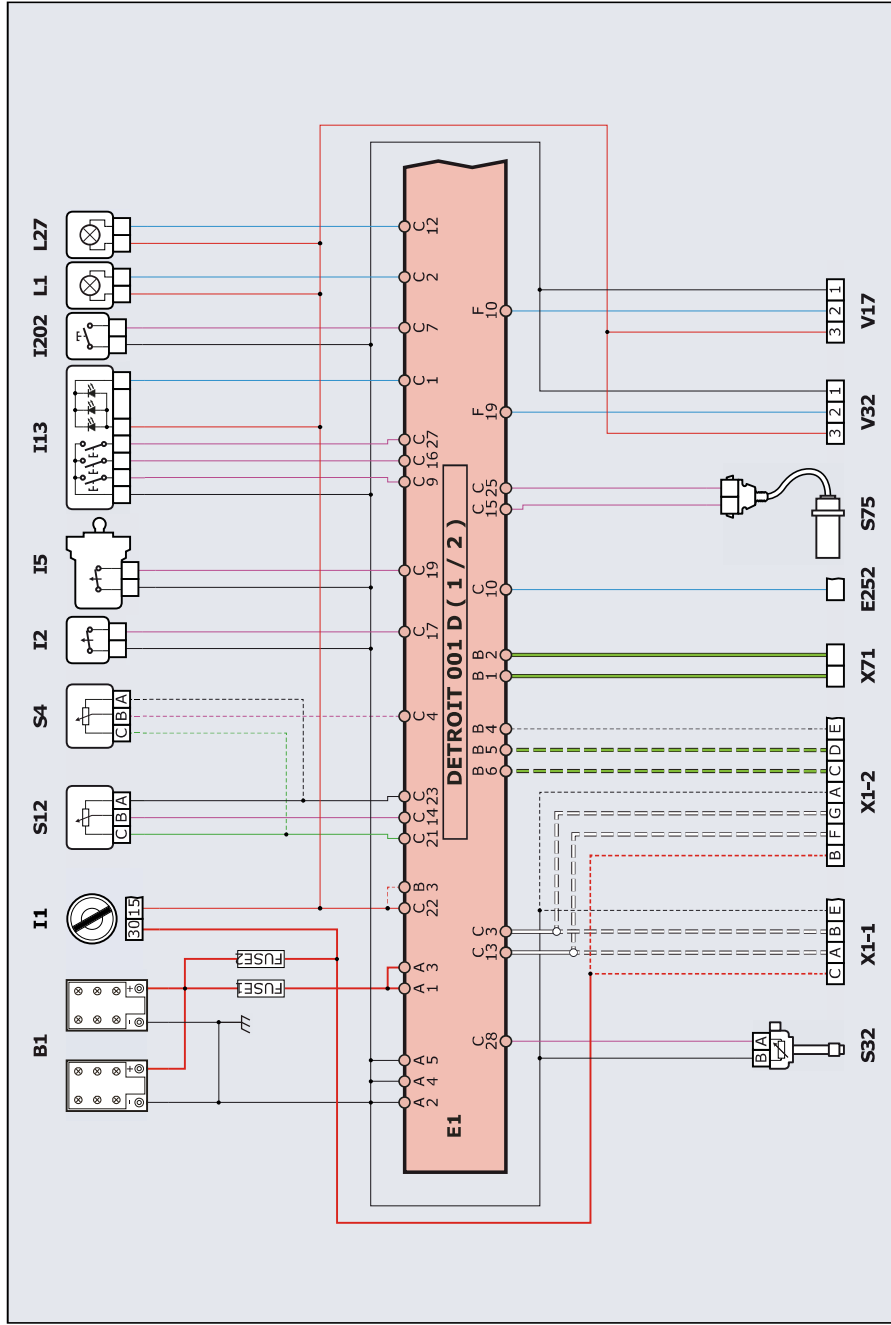
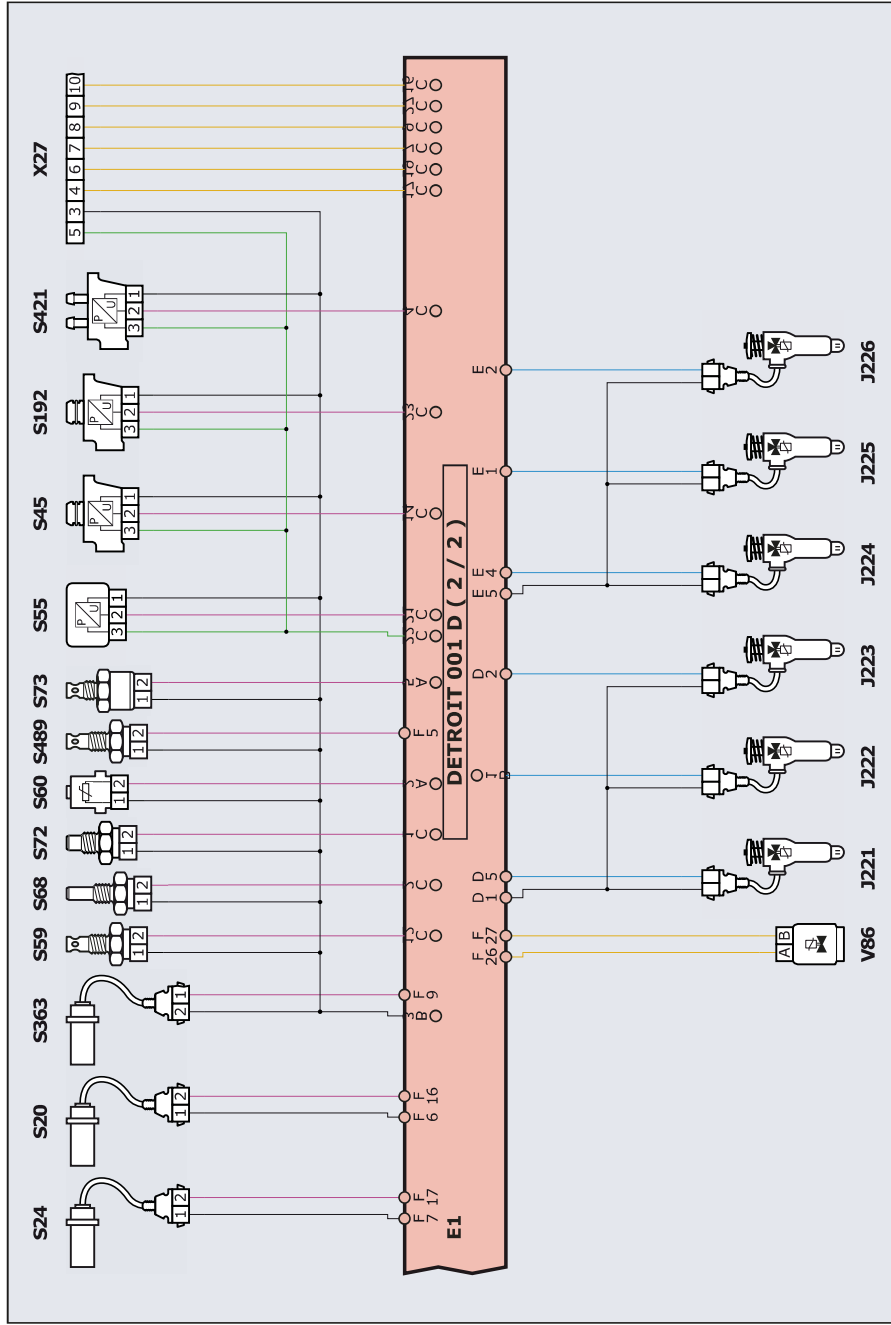


Heavy & Medium Duty/KENWORTH/Detroit Diesel - Mercedes Benz/---//DTDSC/
Detroit/-/EPA 98 → EPA 04/-/-



Heavy & Medium Duty/KENWORTH/Detroit Diesel - Mercedes Benz/---//DTDSC/
Detroit/-/EPA 98 → EPA 04/-/-

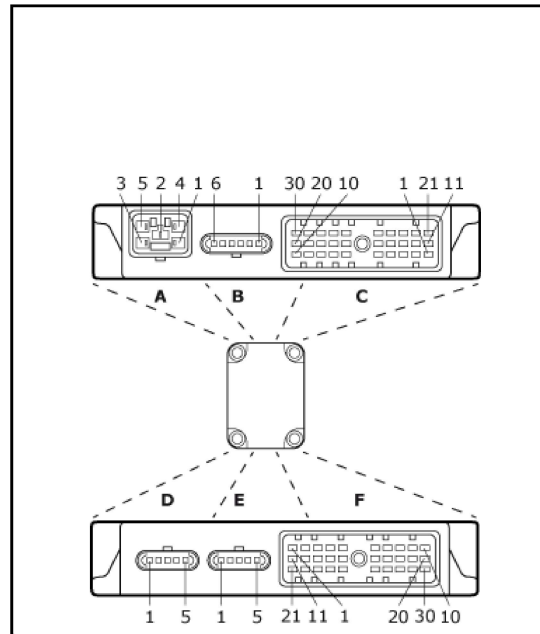


**Heavy & Medium Duty/KENWORTH/Detroit Diesel - Mercedes Benz/---//DTDSC/
Detroit/-/EPA 98 → EPA 04/-/-**

Component list

B1	Starting battery
E1	Engine management control unit
E252	RPM counter
FUSE1	Fuse amp not defined
FUSE2	Fuse amp not defined
I1	Ignition Switch
I13	Speed regulator selector buttons
I2	Brake pedal switch
I202	Diagnostic switch
I5	Clutch pedal switch
J221	Cylinder 1 magnetic injector-pump
J222	Cylinder 2 magnetic injector-pump
J223	Cylinder 3 magnetic injector-pump
J224	Cylinder 4 magnetic injector-pump
J225	Electromagnetic unit injector, cylinder 5
J226	Electromagnetic unit injector, cylinder 6
L1	Engine malfunction indicator lamp MIL
L27	Engine shutdown warning light
PS	The dotted connections may not be present
S12	Accelerator pedal potentiometer
S192	Boost pressure sensor
S20	Inductive phase sensor
S24	Inductive RPM sensor
S32	Coolant level sensor
S363	Turbine speed sensor
S4	PTO accelerator potentiometer
S421	Exhaust gas recirculation differential pressure sensor
S45	Atmospheric pressure sensor
S489	Exhaust gas recirculation temperature sensor
S55	Oil pressure sensor
S59	Intake air temperature sensor
S60	Fuel temperature sensor
S68	Coolant temperature sensor
S72	Oil temperature sensor
S73	Boost temperature sensor
S75	Vehicle speed inductive sensor
V10	EGR solenoid valve
V32	Variable geometry turbine regulation solenoid valve
V86	Engine brake solenoid valve
X1-1	Diagnostic socket
X1-2	Diagnostic socket
X27	Cabin-chassis connector, superstructure
X71	Connector J1922

Heavy & Medium Duty/KENWORTH/Detroit Diesel - Mercedes Benz/---//DTDSC/
Detroit/-/EPA 98 → EPA 04/-/-



Control unit side connector pinout

- D = 5
- A = 5
- E = 5
- C = 30
- B = 6
- F = 30