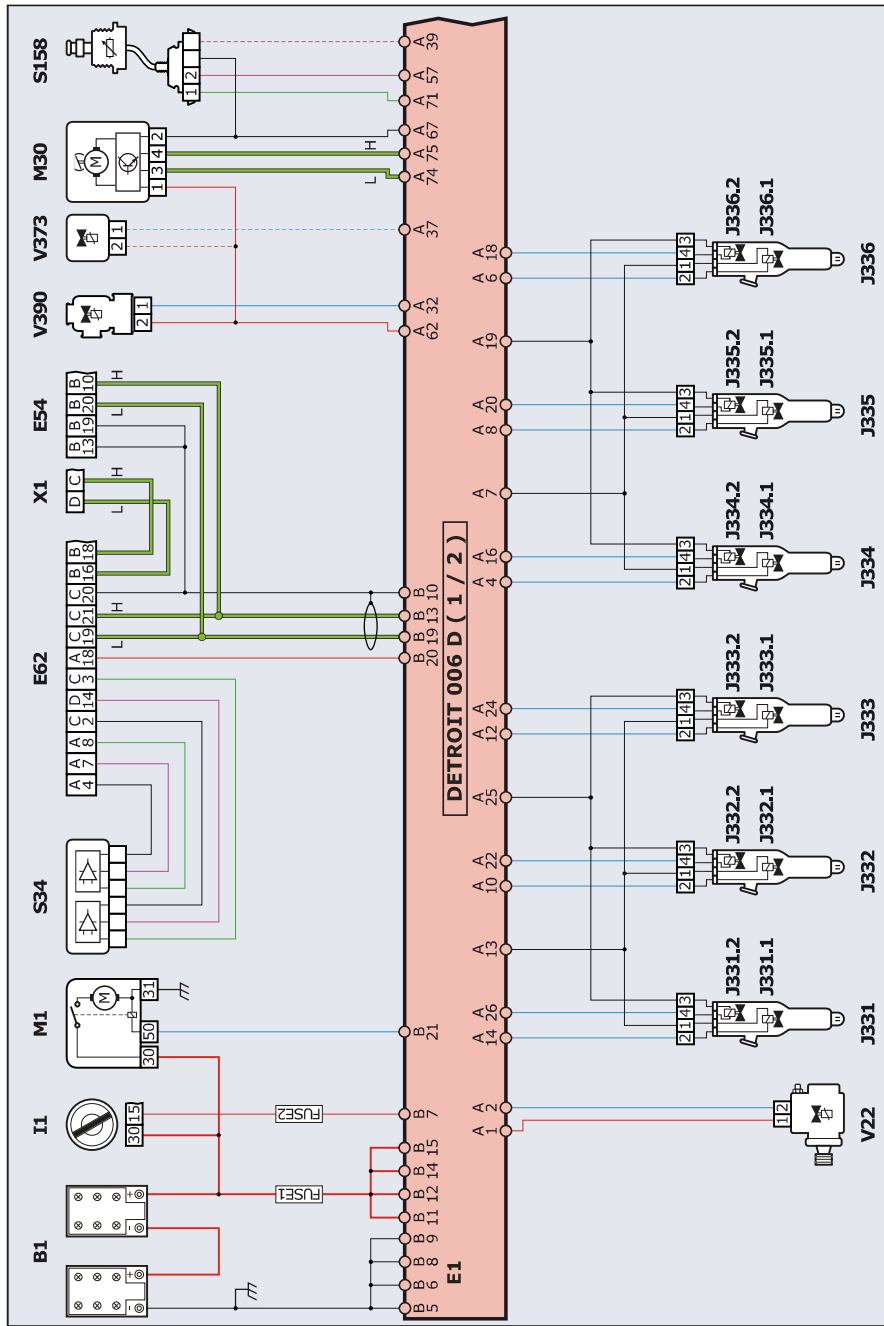
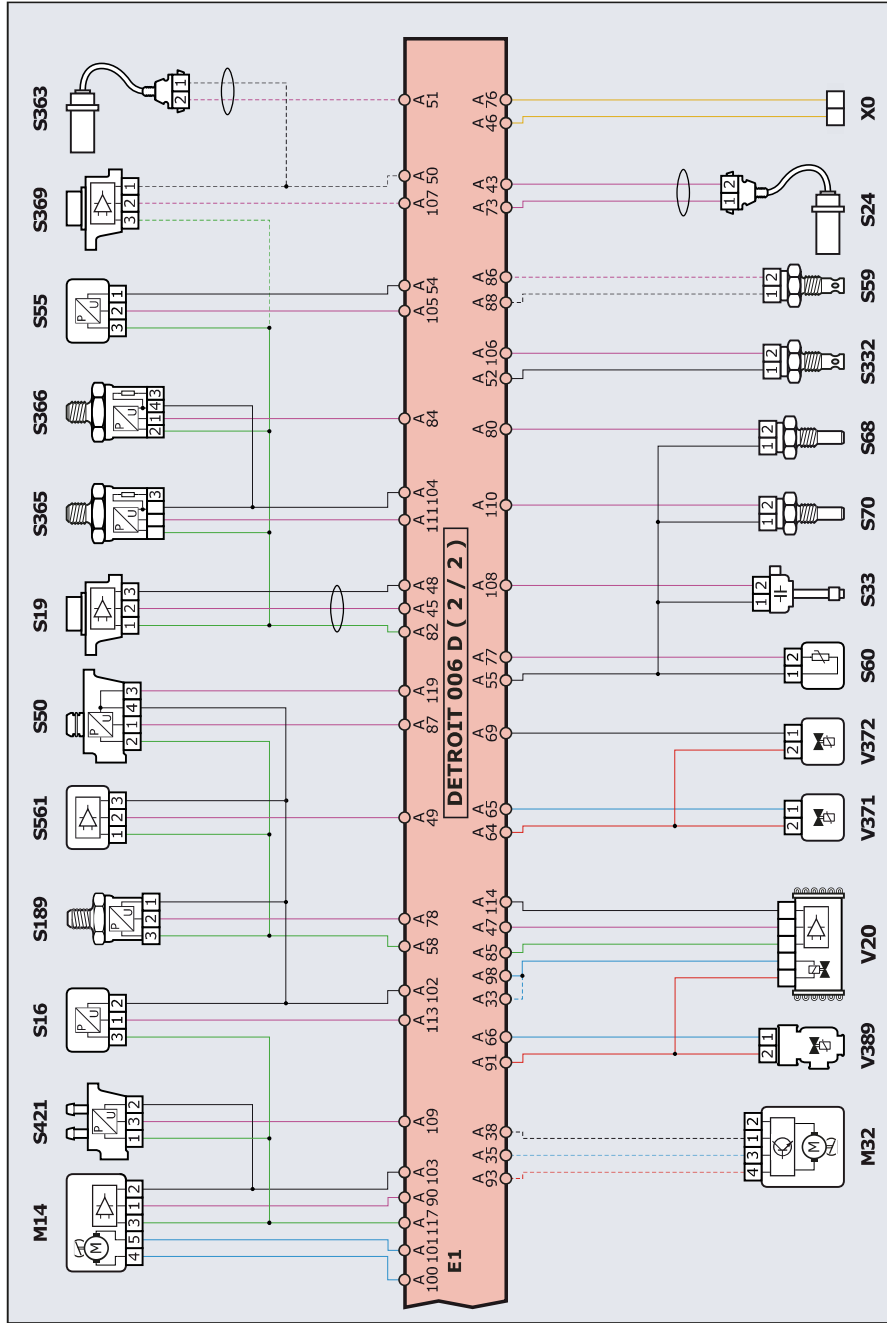


Heavy & Medium Duty/FREIGHTLINER/Detroit Diesel - Mercedes Benz/---//DTDSC/
Continental/(MCM) Engine management/EPA 07 → GHG/-/EPA 13/GHG14, DD13/15/16



Heavy & Medium Duty/FREIGHTLINER/Detroit Diesel - Mercedes Benz/---//DTDSC/
Continental/(MCM) Engine management/EPA 07 → GHG/-/EPA 13/GHG14, DD13/15/16



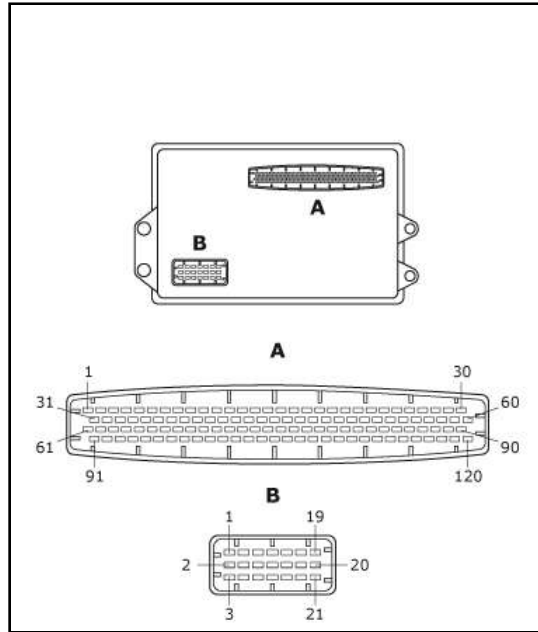
**Heavy & Medium Duty/FREIGHTLINER/Detroit Diesel - Mercedes Benz/---//DTDSC/
Continental/(MCM) Engine management/EPA 07 → GHG/-/EPA 13/GHG14, DD13/15/16**

Component list

B1	Starting battery
E1	Engine management control unit
E54	Exhaust gas after treatment electronic control unit
E62	Engine-vehicle control unit
FUSE1	40 A fuse
FUSE2	10 A fuse
I1	Ignition Switch
J331	Cylinder 1 injector
J331.1	Cylinder 1 pressure amplifier solenoid valve
J331.2	Cylinder 1 injector needle solenoid valve
J332	Cylinder 2 injector
J332.1	Cylinder 2 pressure amplifier solenoid valve
J332.2	Cylinder 2 injector needle solenoid valve
J333	Cylinder 3 injector
J333.1	Cylinder 3 pressure amplifier solenoid valve
J333.2	Cylinder 3 injector needle solenoid valve
J334	Cylinder 4 injector
J334.1	Cylinder 4 pressure amplifier solenoid valve
J334.2	Cylinder 4 injector needle solenoid valve
J335	Cylinder 5 injector
J335.1	Cylinder 5 pressure amplifier solenoid valve
J335.2	Cylinder 5 injector needle solenoid valve
J336	Cylinder 6 injector
J336.1	Cylinder 6 pressure amplifier solenoid valve
J336.2	Cylinder 6 injector needle solenoid valve
M1	Starter motor
M14	Intake manifold throttle motor with digital position sensor
M30	EGR throttle motor module
M32	Wastegate adjustment throttle valve motor module
PS	The dotted connections may not be present
S158	Water-in-fuel sensor
S16	Low pressure fuel sensor
S189	High pressure fuel sensor
S19	Hall timing sensor
S24	Inductive RPM sensor
S33	Oil level sensor
S332	Intake manifold air temperature sensor
S34	Electronic accelerator pedal sensor
S363	Turbine speed sensor
S365	Particulate filter meter fuel input pressure sensor
S366	Particulate filter meter fuel output pressure sensor
S369	Coolant pump speed sensor
S421	Exhaust gas recirculation differential pressure sensor

S50	Boost pressure and temperature sensor
S55	Oil pressure sensor
S561	Crankcase oil separator inductive speed sensor
S59	Intake air temperature sensor
S60	Fuel temperature sensor
S68	Coolant temperature sensor
S70	Radiator outlet coolant temperature sensor
V20	Engine cooling fan control solenoid valve with Hall speed sensor
V22	Low pressure fuel metering solenoid valve
V371	Particulate filter fuel meter solenoid valve
V372	Particulate filter fuel cut-off solenoid valve
V373	Coolant pump solenoid valve
V389	Cylinders 1 2 3 engine brake solenoid valve
V390	Cylinders 4 5 6 engine brake solenoid valve
X0	Interconnection plug
X1	Diagnostic socket

Heavy & Medium Duty/FREIGHTLINER/Detroit Diesel - Mercedes Benz/---//DTDSC/
Continental/(MCM) Engine management/EPA 07 → GHG/-/EPA 13/GHG14, DD13/15/16



Control unit side connector pinout

A = 120 (X1)

B = 21 (X2)