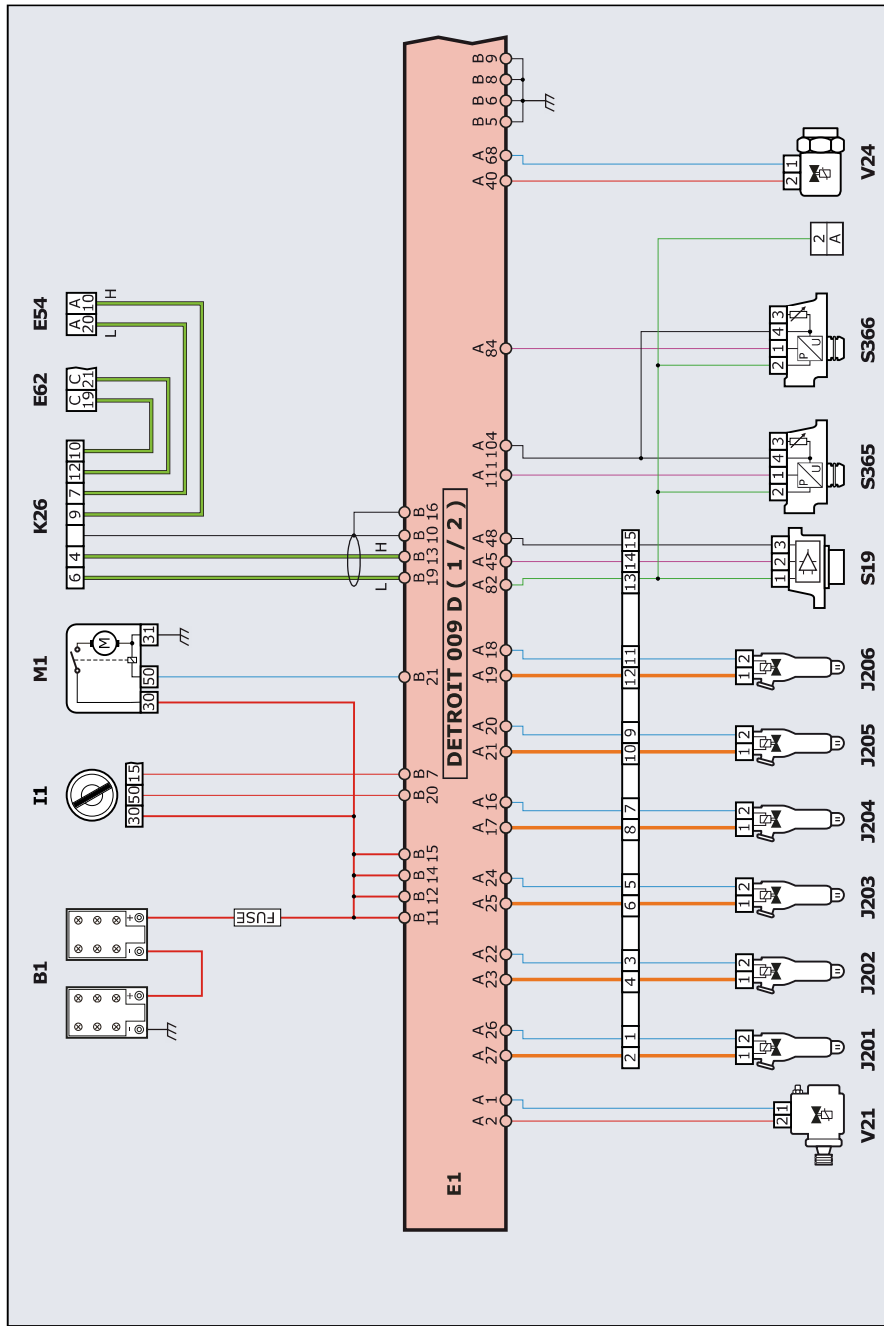


Heavy & Medium Duty/FREIGHTLINER/Detroit Diesel - Mercedes Benz/---//DTDSC/  
Continental/(MCM) Engine management/EPA 07 → GHG/-/GHG 17, DD8

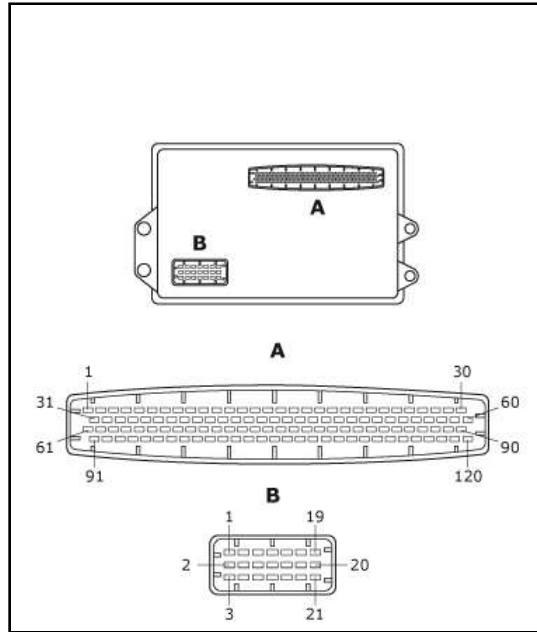




**Heavy & Medium Duty/FREIGHTLINER/Detroit Diesel - Mercedes Benz/---//DTDSC/  
Continental/(MCM) Engine management/EPA 07 → GHG/-/GHG 17, DD8**
**Component list**

B1	Starting battery
E1	Engine management control unit
E54	Exhaust gas after treatment electronic control unit
E62	Engine-vehicle control unit
FUSE	Fuse amp not defined
I1	Ignition Switch
I155	Oil pressure switch
J201	Magnetic common rail injector of cylinder n. 1
J202	Magnetic common rail injector of cylinder n. 2
J203	Magnetic common rail injector of cylinder n. 3
J204	Magnetic common rail injector of cylinder n. 4
J205	Cylinder 5 magnetic common rail injector
J206	Cylinder 6 magnetic common rail injector
K26	Drivetrain CAN bus
M1	Starter motor
M24	Rotary EGR valve control motor with digital position sensor
PS	The dotted connections may not be present
S158	Water-in-fuel sensor
S16	Low pressure fuel sensor
S189	High pressure fuel sensor
S19	Hall timing sensor
S24	Inductive RPM sensor
S363	Turbine speed sensor
S365	Particulate filter meter fuel input pressure sensor
S366	Particulate filter meter fuel output pressure sensor
S432	Boost temperature sensor in the turbocharger
S50	Boost pressure and temperature sensor
S55	Oil pressure sensor
S60	Fuel temperature sensor
S70	Radiator outlet coolant temperature sensor
S72	Oil temperature sensor
S73	Boost temperature sensor
S80	Broad band lambda probe
S85	Crankcase oil vapor pressure sensor
V138	Camshaft rotation adjustment solenoid valve
V149	Additive tank heating solenoid valve
V20	Engine cooling fan control solenoid valve with Hall speed sensor
V21	High pressure fuel metering solenoid valve
V24	Fuel pressure regulating solenoid valve
V30	Wastegate control valve
V371	Particulate filter fuel meter solenoid valve
V372	Particulate filter fuel cut-off solenoid valve
V86	Engine brake solenoid valve

Heavy & Medium Duty/FREIGHTLINER/Detroit Diesel - Mercedes Benz/---//DTDSC/  
Continental/(MCM) Engine management/EPA 07 → GHG/-/GHG 17, DD8



Control unit side connector pinout

A = 120 ( X1 )

B = 21 ( X2 )