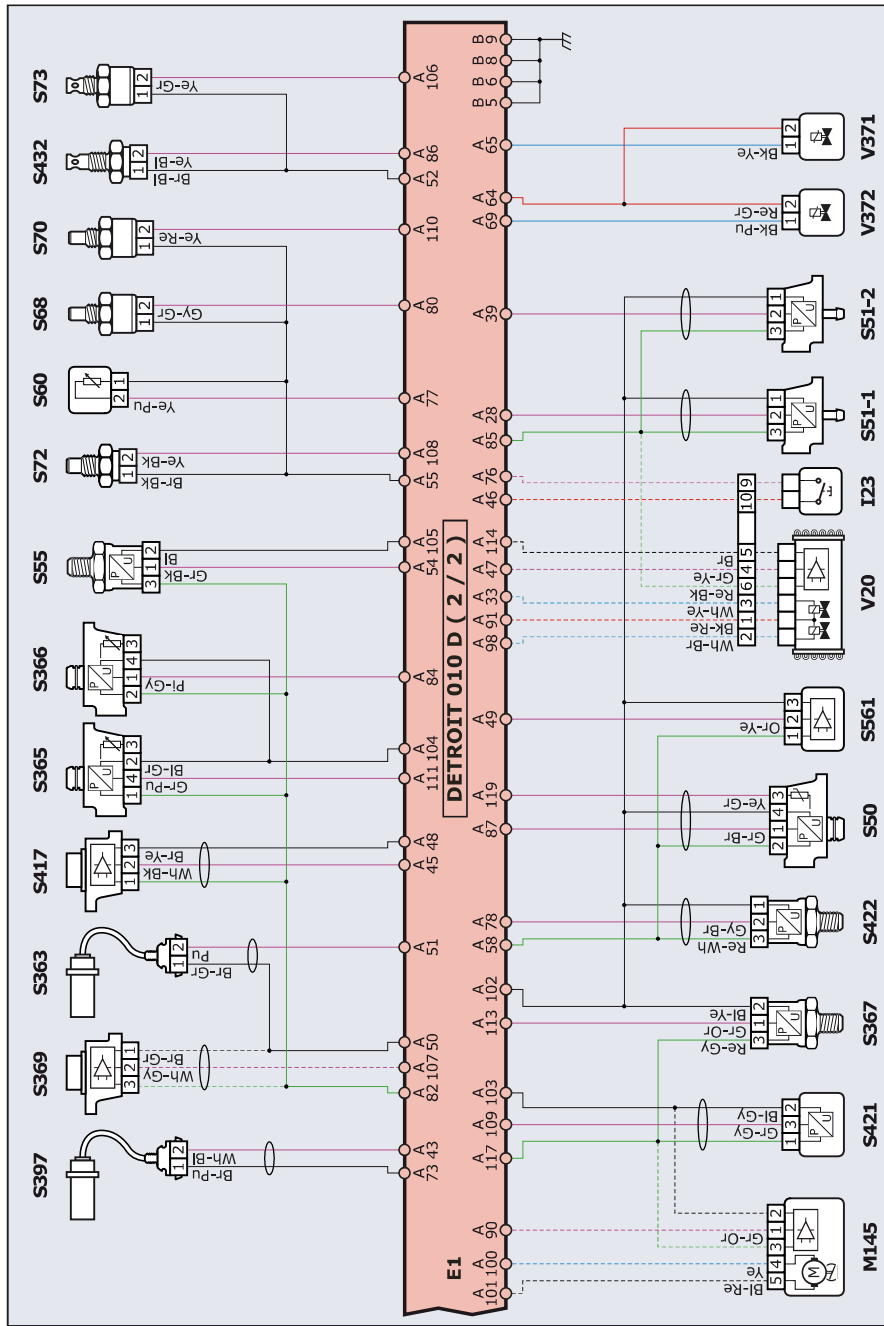




Heavy & Medium Duty/FREIGHTLINER/Detroit Diesel - Mercedes Benz/---//DTDSC/  
Continental/(MCM) Engine management/EPA 07 → GHG/-/GHG 17/21, DD13/15/16



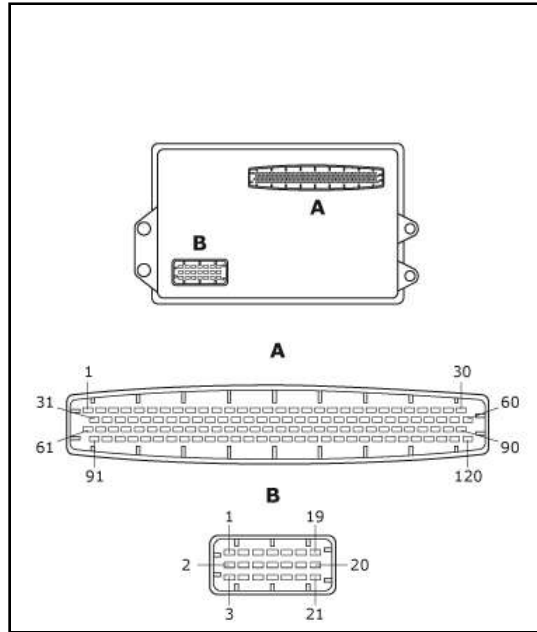
**Heavy & Medium Duty/FREIGHTLINER/Detroit Diesel - Mercedes Benz/---//DTDSC/  
Continental/(MCM) Engine management/EPA 07 → GHG/-/GHG 17/21, DD13/15/16**

**Component list**

B1	Starting battery
E1	Engine management control unit
E337	EGR valve control module
E54	Exhaust gas after treatment electronic control unit
E62	Engine-vehicle control unit
FUSE	Fuse amp not defined
I1	Ignition Switch
I23	Engine start and stop switch
J331	Cylinder 1 injector
J331.1	Cylinder 1 pressure amplifier solenoid valve
J331.2	Cylinder 1 injector needle solenoid valve
J332	Cylinder 2 injector
J332.1	Cylinder 2 pressure amplifier solenoid valve
J332.2	Cylinder 2 injector needle solenoid valve
J333	Cylinder 3 injector
J333.1	Cylinder 3 pressure amplifier solenoid valve
J333.2	Cylinder 3 injector needle solenoid valve
J334	Cylinder 4 injector
J334.1	Cylinder 4 pressure amplifier solenoid valve
J334.2	Cylinder 4 injector needle solenoid valve
J335	Cylinder 5 injector
J335.1	Cylinder 5 pressure amplifier solenoid valve
J335.2	Cylinder 5 injector needle solenoid valve
J336	Cylinder 6 injector
J336.1	Cylinder 6 pressure amplifier solenoid valve
J336.2	Cylinder 6 injector needle solenoid valve
M1	Starter motor
M145	Throttle valve motor
PS	The dotted connections may not be present
S158	Water-in-fuel sensor
S363	Turbine speed sensor
S365	Particulate filter meter fuel input pressure sensor
S366	Particulate filter meter fuel output pressure sensor
S367	Fuel filter clogging sensor
S369	Coolant pump speed sensor
S397	Crankshaft RPM sensor
S417	Camshaft speed sensor
S421	Exhaust gas recirculation differential pressure sensor
S422	Rail pressure sensor
S432	Boost temperature sensor in the turbocharger
S50	Boost pressure and temperature sensor
S51-1	Exhaust gas pressure sensor
S51-2	Exhaust gas pressure sensor

S55	Oil pressure sensor
S561	Crankcase oil separator inductive speed sensor
S60	Fuel temperature sensor
S68	Coolant temperature sensor
S70	Radiator outlet coolant temperature sensor
S72	Oil temperature sensor
S73	Boost temperature sensor
V20	Engine cooling fan control solenoid valve with Hall speed sensor
V21	High pressure fuel metering solenoid valve
V371	Particulate filter fuel meter solenoid valve
V372	Particulate filter fuel cut-off solenoid valve
V373	Coolant pump solenoid valve
V389	Cylinders 1 2 3 engine brake solenoid valve
V390	Cylinders 4 5 6 engine brake solenoid valve
V50	EGR-cooler by-pass solenoid valve

Heavy & Medium Duty/FREIGHTLINER/Detroit Diesel - Mercedes Benz/---//DTDSC/  
Continental/(MCM) Engine management/EPA 07 → GHG/-/GHG 17/21, DD13/15/16



Control unit side connector pinout

A = 120 ( X1 )

B = 21 ( X2 )