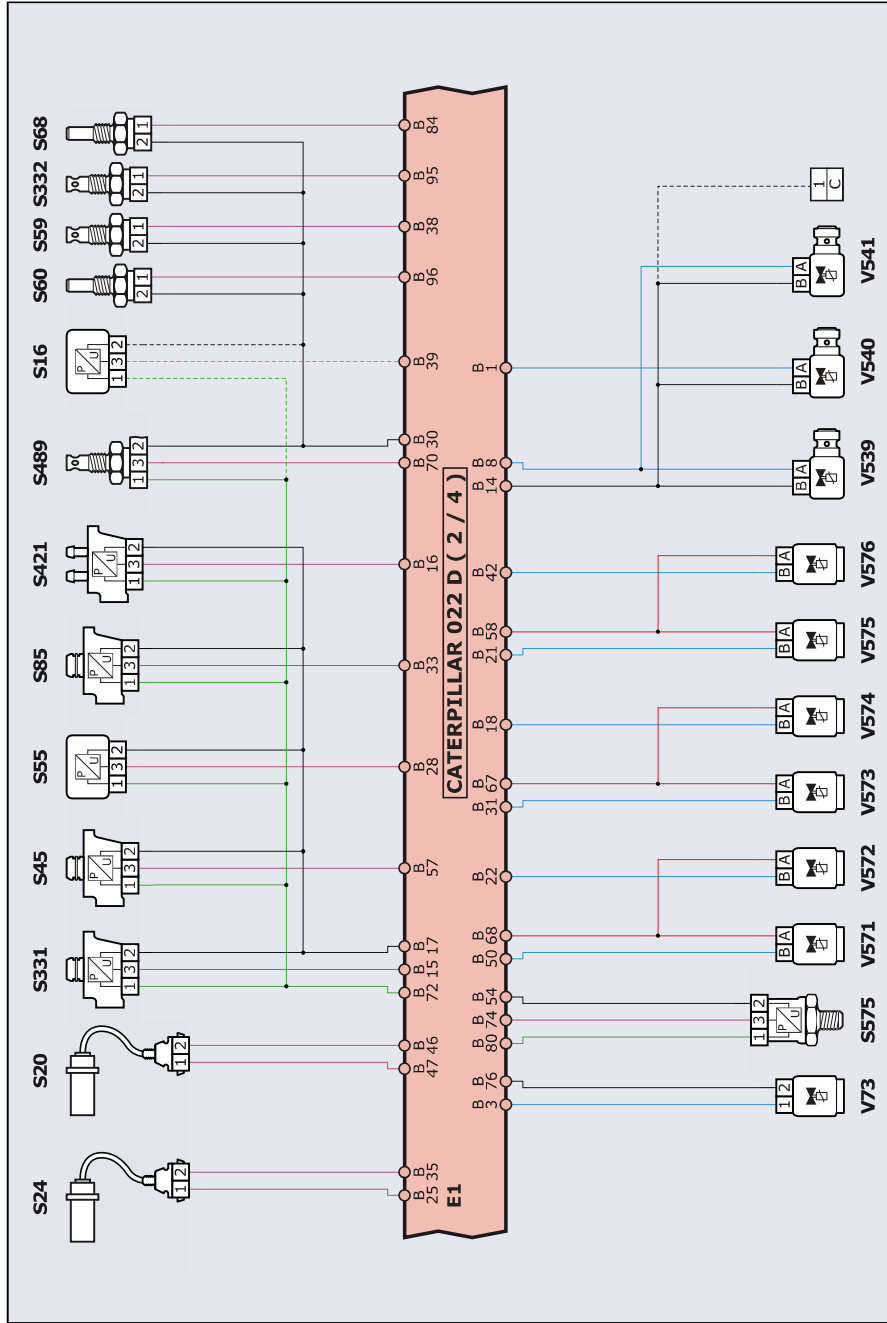
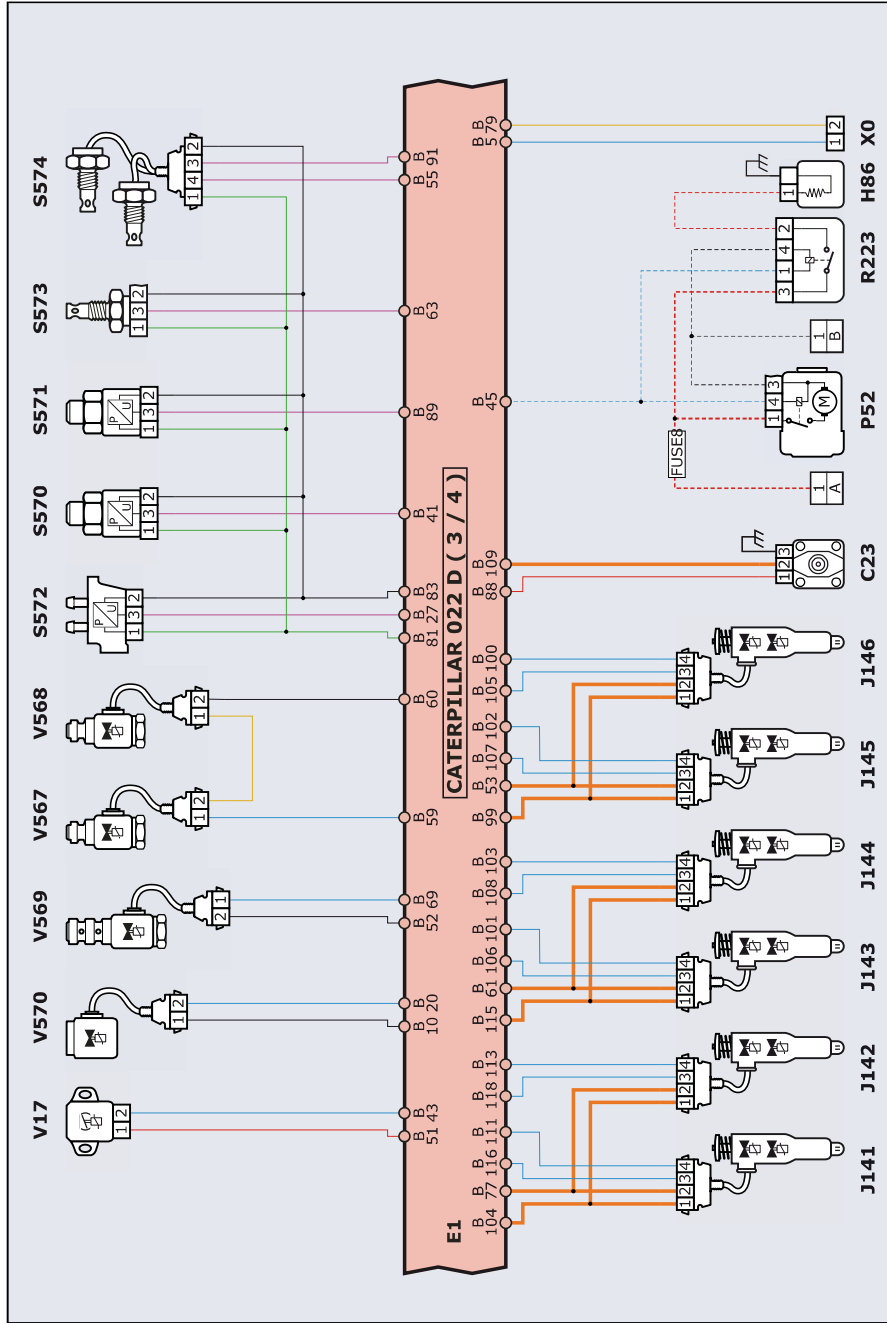


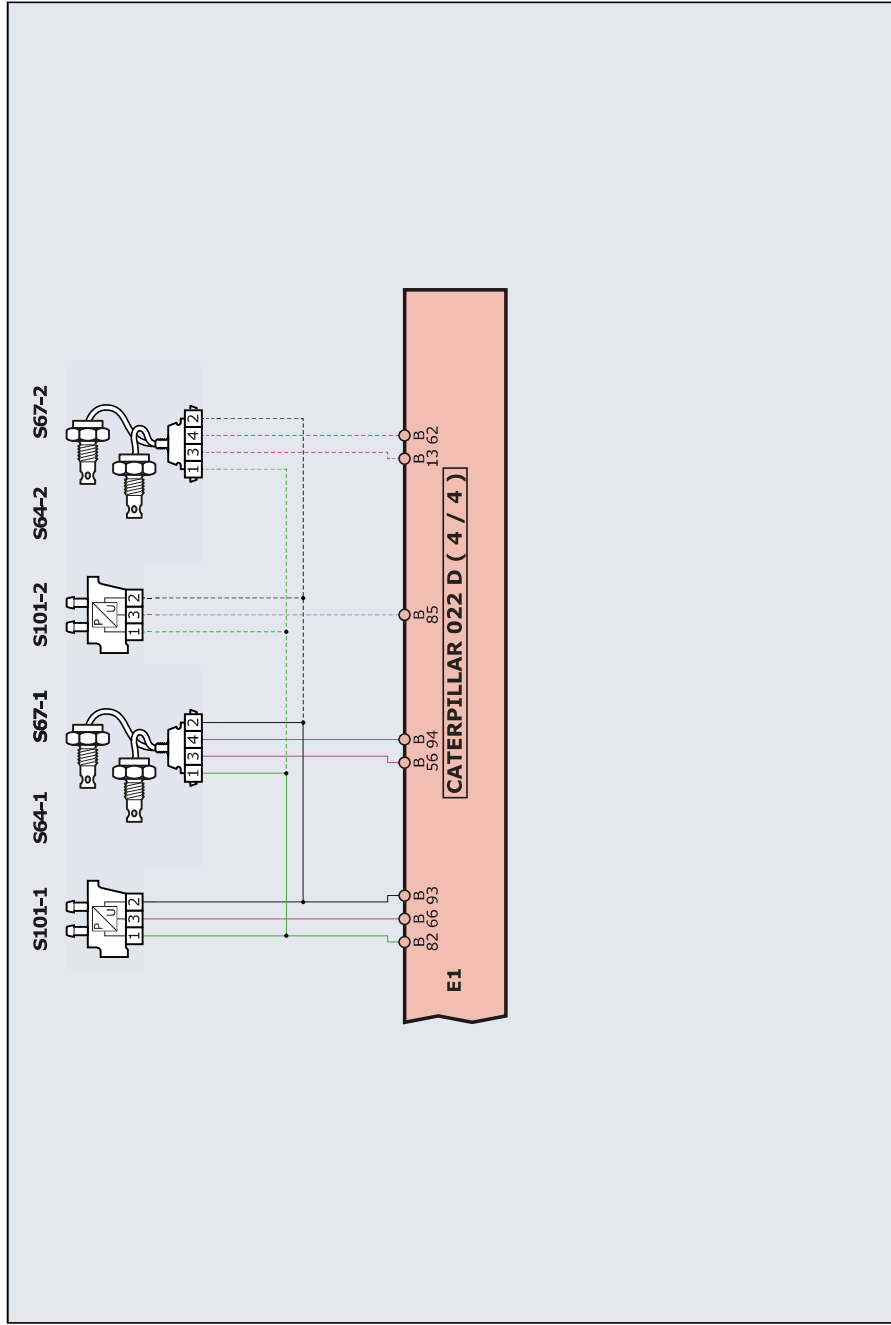
Heavy & Medium Duty/WESTERN STAR/Caterpillar/---//CTRPL/
Caterpillar/C15/ACERT/-/ADEM 4 - With particulate filter burner



Heavy & Medium Duty/WESTERN STAR/Caterpillar/---//CTRPL/
Caterpillar/C15/ACERT/-/ADEM 4 - With particulate filter burner



Heavy & Medium Duty/WESTERN STAR/Caterpillar/---//CTRPL/
Caterpillar/C15/ACERT/-/ADEM 4 - With particulate filter burner



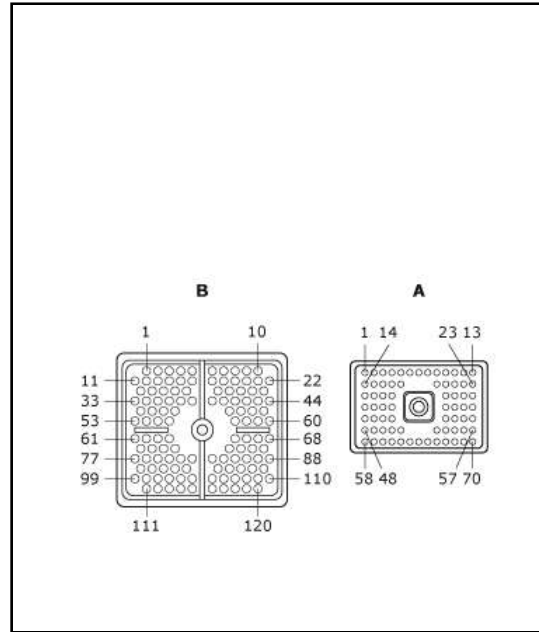
**Heavy & Medium Duty/WESTERN STAR/Caterpillar/---//CTRPL/
Caterpillar/C15/ACERT/-/ADEM 4 - With particulate filter burner**

Component list

B1	Starting battery
C23	Particulate filter burner pencil coil
E1	Engine management control unit
E170	Speed indicator
E86	Rpm indicator
FUSE1	10 A fuse
FUSE2	10 A fuse
FUSE3	10 A fuse
FUSE4	10 A fuse
FUSE5	Fuse amp not defined
FUSE6	Fuse amp not defined
FUSE7	Fuse amp not defined
FUSE8	20 A fuse
H86	Particulate filter burner nozzle heater
I1	Ignition Switch
I106	Cruise control switch
I149	A/C pressure switch
I19	Engine stop switch
I2	Brake pedal switch
I5	Clutch pedal switch
I51	Engine brake switch
I551	Engine brake level switch
I553	Set and resume speed switch
J141	Double solenoid valve driven cylinder 1 magnetic injector-pump
J142	Double solenoid valve driven cylinder 2 magnetic injector-pump
J143	Double solenoid valve driven cylinder 3 magnetic injector-pump
J144	Double solenoid valve driven cylinder 4 magnetic injector-pump
J145	Double solenoid valve driven cylinder 5 magnetic injector-pump
J146	Double solenoid valve driven cylinder 6 magnetic injector-pump
K2	High speed CAN line
L1	Engine malfunction indicator lamp MIL
L222	Warning light
L225	Exhaust gas overheating warning light
L226	Particulate filter regeneration warning light
M1	Starter motor
N3	Engine cooling fan clutch solenoid
P52	Particulate filter burner circuit purging compressed air pump
R14	Engine stop relay
R223	Particulate filter burner nozzle heater relay
S101-1	Particulate filter exhaust gas differential pressure sensor
S101-2	Particulate filter exhaust gas differential pressure sensor
S16	Low pressure fuel sensor
S20	Inductive phase sensor

S24	Inductive RPM sensor
S331	Intake manifold air pressure sensor
S332	Intake manifold air temperature sensor
S34	Electronic accelerator pedal sensor
S419	Vehicle speed sensor
S421	Exhaust gas recirculation differential pressure sensor
S45	Atmospheric pressure sensor
S489	Exhaust gas recirculation temperature sensor
S55	Oil pressure sensor
S570	Particulate filter burner primary fuel pressure sensor
S571	Particulate filter burner secondary fuel pressure sensor
S572	Particulate filter burner air differential pressure sensor
S573	Particulate filter burner temperature sensor
S574	Exhaust gas temperature sensor downstream of the turbine with particulate filter burner flame sensor
S575	Valve lift oil pressure sensor
S59	Intake air temperature sensor
S60	Fuel temperature sensor
S64-1	Exhaust gas temperature sensor upstream of the particulate filter
S64-2	Exhaust gas temperature sensor upstream of the particulate filter
S67-1	Exhaust gas temperature sensor downstream of the particulate filter
S67-2	Exhaust gas temperature sensor downstream of the particulate filter
S68	Coolant temperature sensor
S85	Crankcase oil vapor pressure sensor
V17	EGR throttle solenoid valve
V394	Diesel throttle solenoid valve
V539	Compression release engine brake solenoid valve, cylinders 1 2
V540	Compression release engine brake solenoid valve, cylinders 3 4
V541	Compression release engine brake solenoid valve, cylinders 5 6
V567	Particulate filter burner primary fuel pressure control solenoid valve
V568	Particulate filter burner secondary fuel pressure control solenoid valve
V569	Particulate filter burner fuel circuit solenoid valve
V570	Particulate filter burner input air solenoid valve
V571	Cylinder 1 valve lift control solenoid valve
V572	Cylinder 2 valve lift control solenoid valve
V573	Cylinder 3 valve lift control solenoid valve
V574	Cylinder 4 valve lift control solenoid valve
V575	Cylinder 5 valve lift control solenoid valve
V576	Cylinder 6 valve lift control solenoid valve
V73	Valve lifting deactivation solenoid valve (MDS)
X0	Interconnection plug
X1	Diagnostic socket

**Heavy & Medium Duty/WESTERN STAR/Caterpillar/---//CTRPL/
Caterpillar/C15/ACERT/-/ADEM 4 - With particulate filter burner**



Control unit side connector pinout

A = 70

B = 120