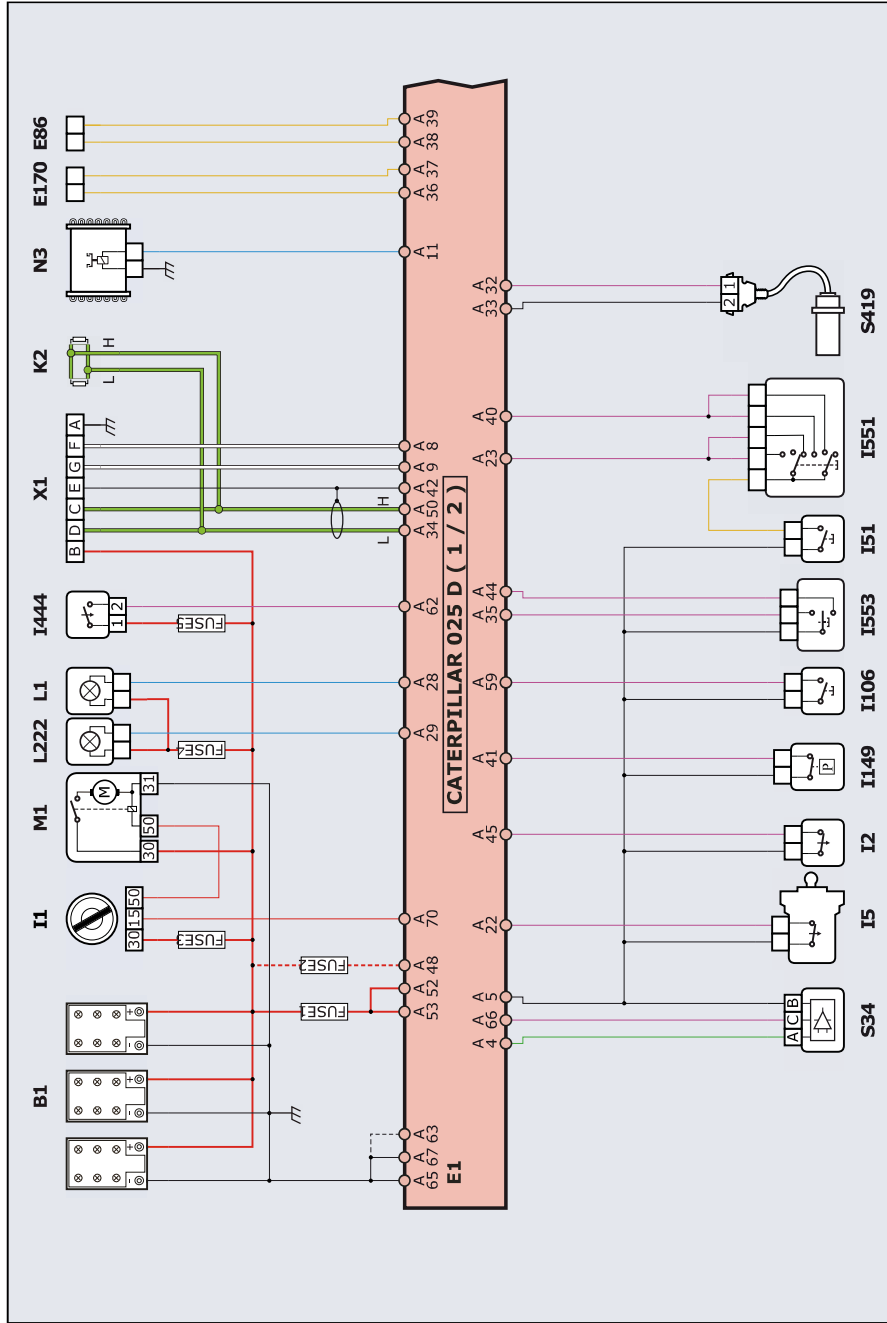
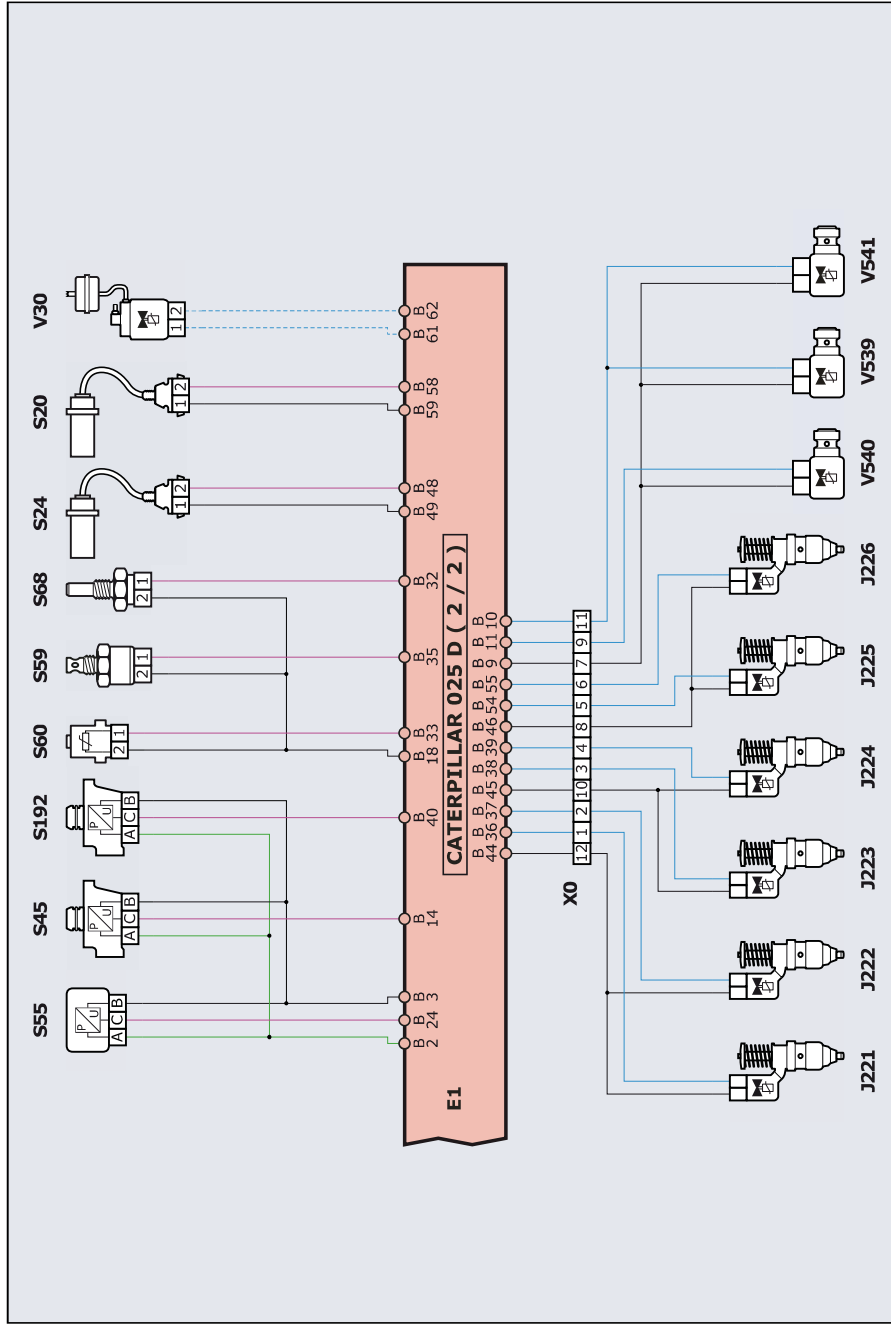


Heavy & Medium Duty/WESTERN STAR/Caterpillar/---//CTRPL/  
Caterpillar/C15/-/-/ADEM 3



Heavy & Medium Duty/WESTERN STAR/Caterpillar/---//CTRPL/  
Caterpillar/C15/-/-/ADEM 3



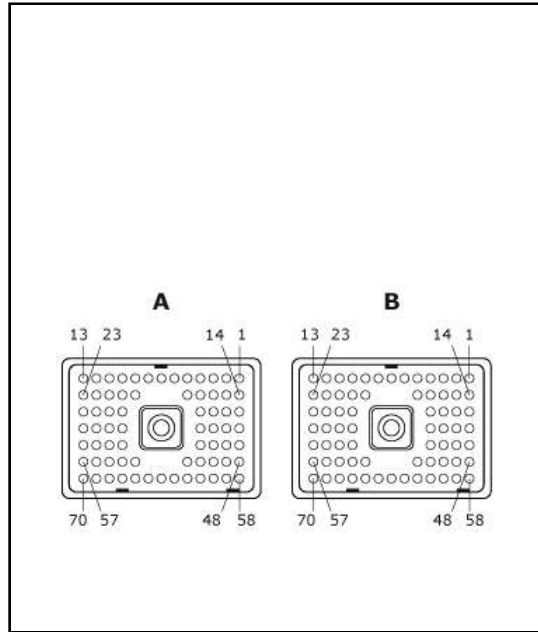
**Heavy & Medium Duty/WESTERN STAR/Caterpillar/---//CTRPL/  
Caterpillar/C15/-/-/ADEM 3**

**Component list**

B1	Starting battery
E1	Engine management control unit
E170	Speed indicator
E86	Rpm indicator
FUSE1	20 A fuse
FUSE2	10 A fuse
FUSE3	Fuse amp not defined
FUSE4	Fuse amp not defined
FUSE5	Fuse amp not defined
I1	Ignition Switch
I106	Cruise control switch
I144	Gear shift P N position switch
I149	A/C pressure switch
I2	Brake pedal switch
I5	Clutch pedal switch
I51	Engine brake switch
I551	Engine brake level switch
I553	Set and resume speed switch
J221	Cylinder 1 magnetic injector-pump
J222	Cylinder 2 magnetic injector-pump
J223	Cylinder 3 magnetic injector-pump
J224	Cylinder 4 magnetic injector-pump
J225	Electromagnetic unit injector, cylinder 5
J226	Electromagnetic unit injector, cylinder 6
K2	High speed CAN line
L1	Engine malfunction indicator lamp MIL
L222	Warning light
M1	Starter motor
N3	Engine cooling fan clutch solenoid
PS	The dotted connections may not be present
S192	Boost pressure sensor
S20	Inductive phase sensor
S24	Inductive RPM sensor
S34	Electronic accelerator pedal sensor
S419	Vehicle speed sensor
S45	Atmospheric pressure sensor
S55	Oil pressure sensor
S59	Intake air temperature sensor
S60	Fuel temperature sensor
S68	Coolant temperature sensor
V30	Wastegate control valve
V539	Compression release engine brake solenoid valve, cylinders 1 2
V540	Compression release engine brake solenoid valve, cylinders 3 4

V541	Compression release engine brake solenoid valve, cylinders 5 6
X0	Interconnection plug
X1	Diagnostic socket

Heavy & Medium Duty/WESTERN STAR/Caterpillar/---//CTRPL/  
Caterpillar/C15/-/-/ADEM 3



A = 70

B = 70

Wiring side connector pinout