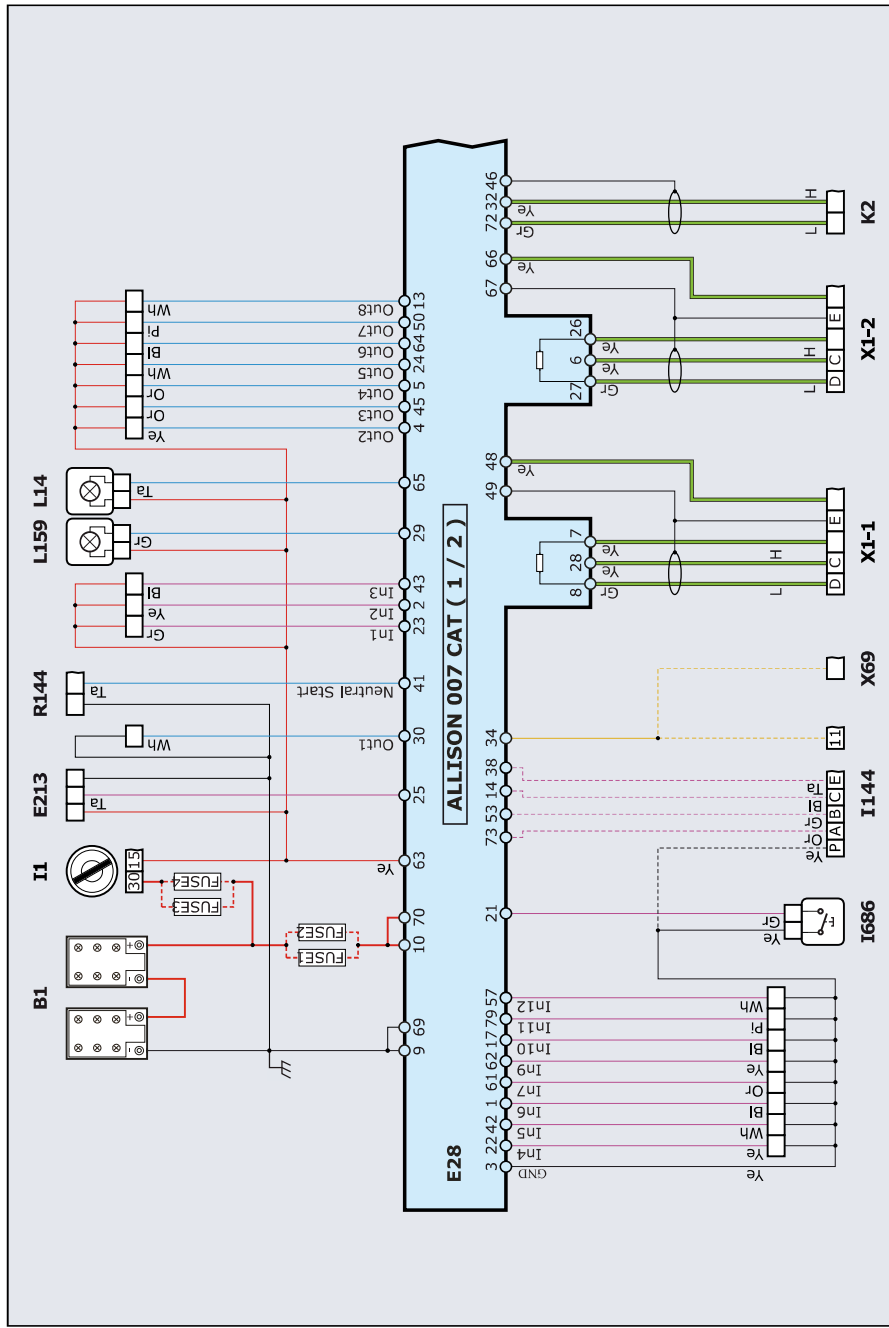
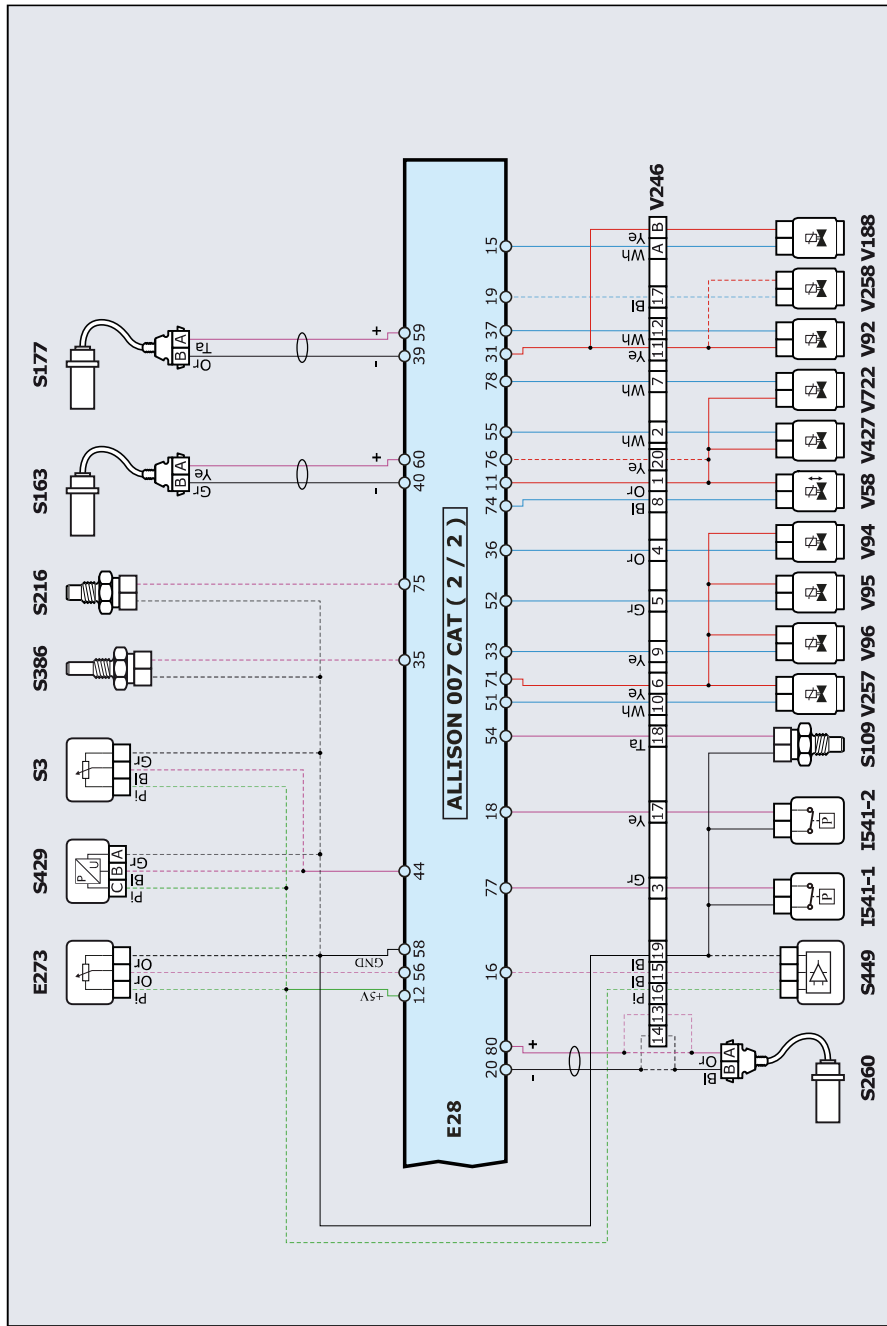


Heavy & Medium Duty/HINO/L / XL Series/---/---/
Allison/3000-4000/Generation 6/---/



Heavy & Medium Duty/HINO/L / XL Series/---/---/
Allison/3000-4000/Generation 6/---/

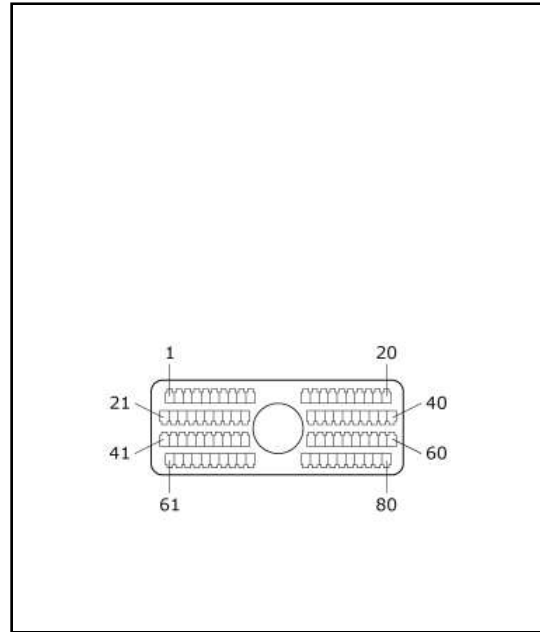


**Heavy & Medium Duty/HINO/L / XL Series/---/--/
Allison/3000-4000/Generation 6/-/-**

Component list

| | |
|--------|---|
| B1 | Starting battery |
| E213 | Analog rev indicator |
| E273 | Retarder control module |
| E28 | Automatic transmission control unit |
| FUSE1 | 15 A fuse |
| FUSE2 | 10 A fuse |
| FUSE3 | 5 A fuse |
| FUSE4 | 10 A fuse |
| I1 | Ignition Switch |
| I144 | Gear shift lever module |
| I541-1 | Transmission oil low pressure switch |
| I541-2 | Transmission oil low pressure switch |
| I686 | ABS mode selection switch |
| K2 | High speed CAN line |
| L14 | Reverse light |
| L159 | Transmission fault warning light |
| PS | The dotted connections may not be present |
| R144 | Neutral position relay |
| S109 | Transmission fluid temp. sensor |
| S163 | Transmission output shaft speed (rpm) sensor |
| S177 | Transmission input shaft speed sensor |
| S216 | Retarder oil temperature sensor |
| S260 | Torque converter turbine speed (rpm) sensor |
| S3 | Accelerator potentiometer |
| S386 | Retarder coolant temperature sensor |
| S429 | Retarder circuit fluid pressure switch |
| S449 | Transmission oil level sensor |
| V188 | Hydraulic retarder solenoid valve |
| V246 | Transmission solenoid valve block |
| V257 | Gear engagement solenoid valve 1 |
| V258 | Gear engagement solenoid valve 2 |
| V427 | Multi-disk clutch 4 engagement solenoid valve |
| V58 | Transmission fluid circuit solenoid valve |
| V722 | Multi-disc clutch 6 engagement solenoid valve |
| V92 | Torque converter clutch actuator solenoid valve |
| V94 | Multi-disk clutch solenoid valve 1 |
| V95 | Multi-disk clutch solenoid valve 2 |
| V96 | Multi-disk clutch solenoid valve 3 |
| X1-1 | Diagnostic socket |
| X1-2 | Diagnostic socket |
| X69 | Connector J1939 |

**Heavy & Medium Duty/HINO/L / XL Series/---//--/
Allison/3000-4000/Generation 6/-/-**



Control unit side connector pinout