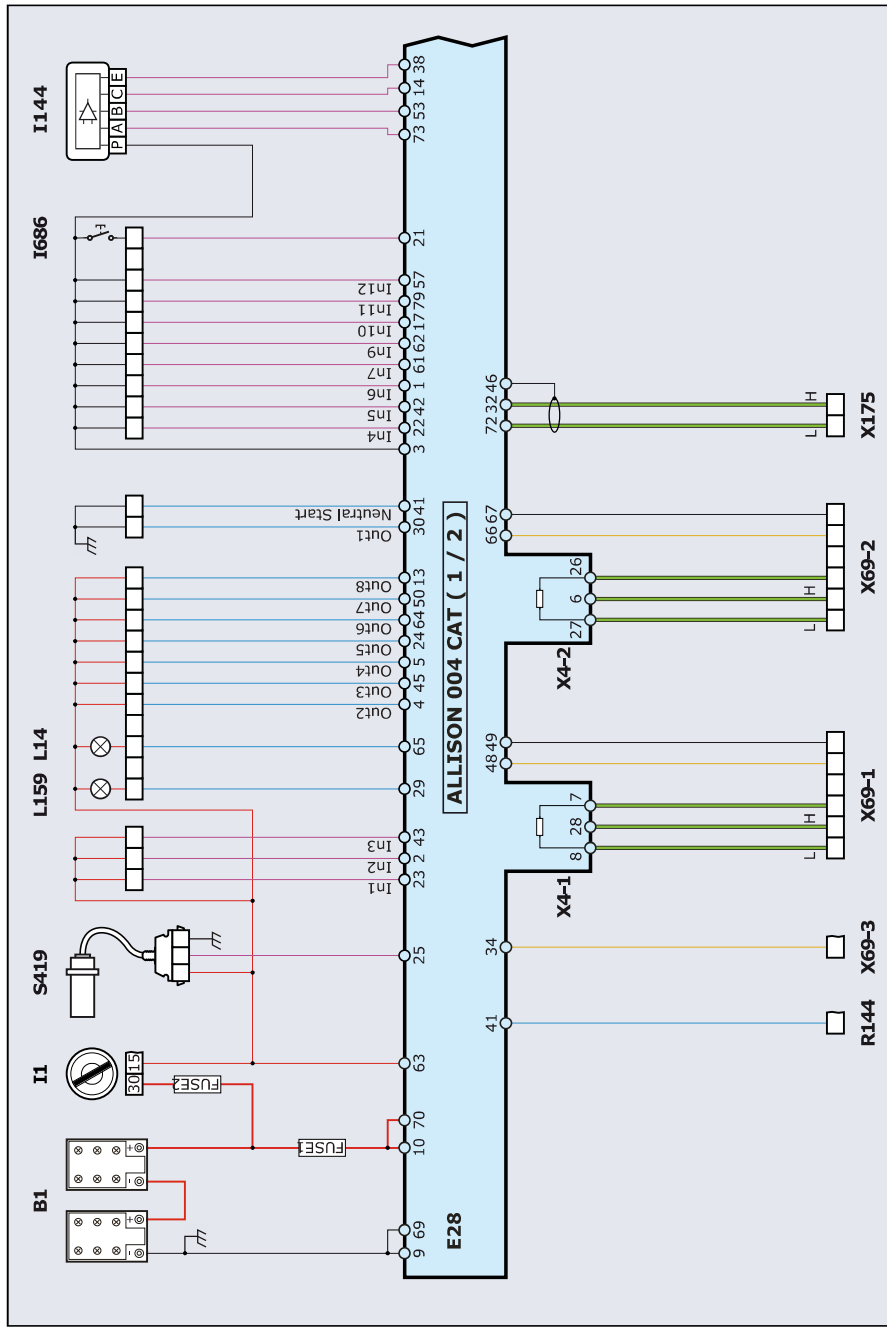
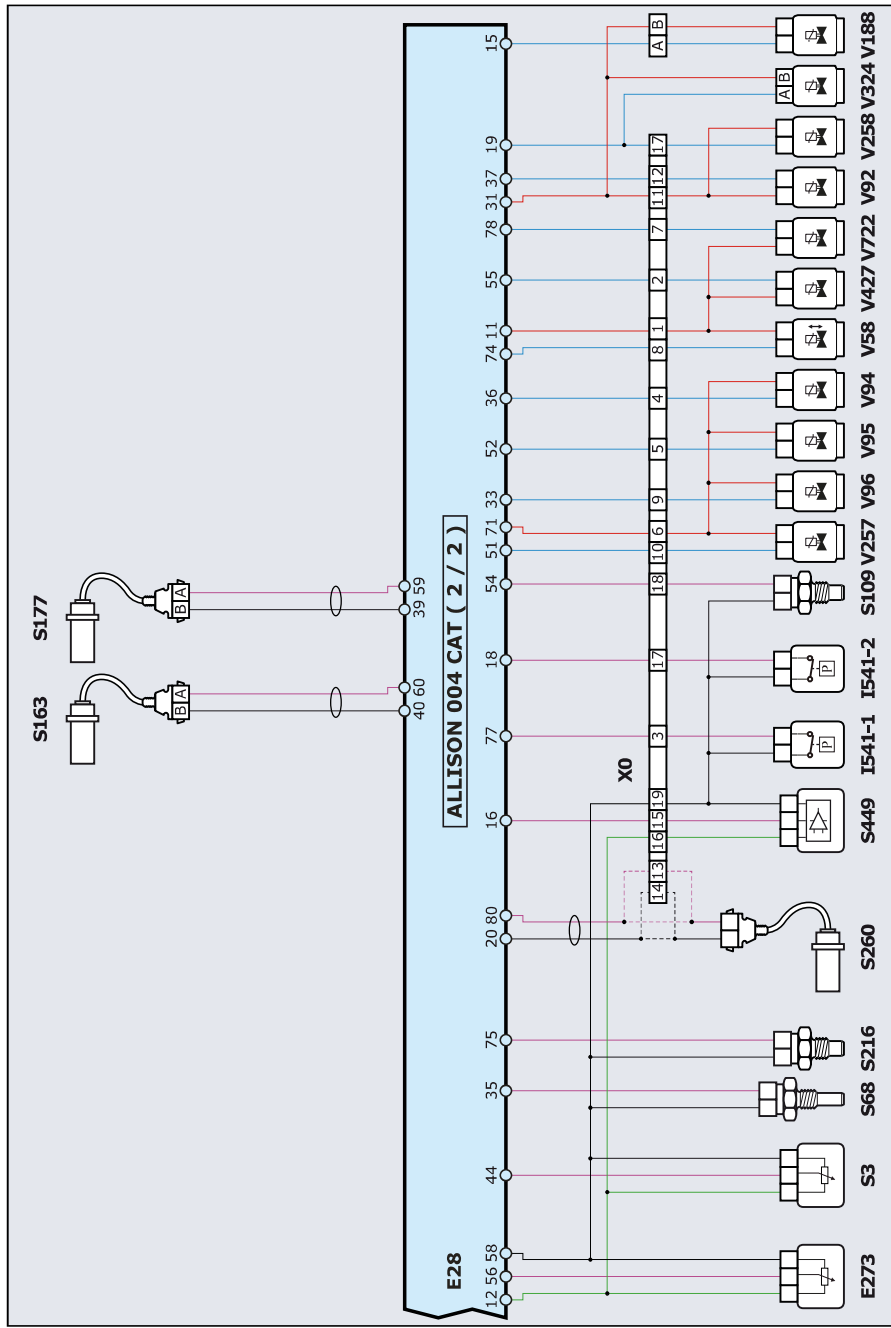


Heavy & Medium Duty/HINO/L / XL Series/---/---/  
Allison/3000-4000/ Generation 5/---/



Heavy & Medium Duty/HINO/L / XL Series/---/---/  
Allison/3000-4000/Generation 5/-/-

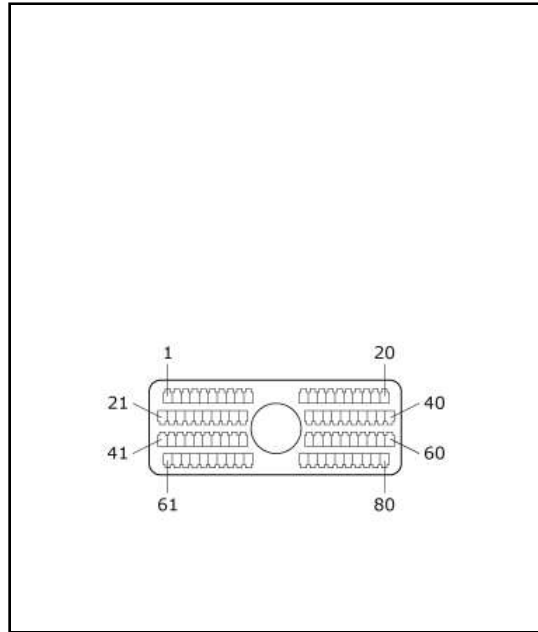


**Heavy & Medium Duty/HINO/L / XL Series/---/--/  
Allison/3000-4000/Generation 5/-/-**

**Component list**

B1	Starting battery
E273	Retarder control module
E28	Automatic transmission control unit
FUSE1	15 A fuse
FUSE2	15 A fuse
I1	Ignition Switch
I144	Gear shift lever module
I541-1	Transmission oil low pressure switch
I541-2	Transmission oil low pressure switch
I686	ABS mode selection switch
L14	Reverse light
L159	Transmission fault warning light
PS	The dotted connections may not be present
R144	Neutral position relay
S109	Transmission fluid temp. sensor
S163	Transmission output shaft speed (rpm) sensor
S177	Transmission input shaft speed sensor
S216	Retarder oil temperature sensor
S260	Torque converter turbine speed (rpm) sensor
S3	Accelerator potentiometer
S419	Vehicle speed sensor
S449	Transmission oil level sensor
S68	Coolant temperature sensor
V188	Hydraulic retarder solenoid valve
V257	Gear engagement solenoid valve 1
V258	Gear engagement solenoid valve 2
V324	Hydraulic retarder pressurized air tank solenoid valve
V427	Multi-disk clutch 4 engagement solenoid valve
V58	Transmission fluid circuit solenoid valve
V722	Multi-disc clutch 6 engagement solenoid valve
V92	Torque converter clutch actuator solenoid valve
V94	Multi-disk clutch solenoid valve 1
V95	Multi-disk clutch solenoid valve 2
V96	Multi-disk clutch solenoid valve 3
X0	Interconnection plug
X175	CAN connector
X4-1	Termination resistance connector
X4-2	Termination resistance connector
X69-1	Connector J1939
X69-2	Connector J1939
X69-3	Interconnection plug

**Heavy & Medium Duty/HINO/L / XL Series/---//--/  
Allison/3000-4000/Generation 5/-/-**



Control unit side connector pinout