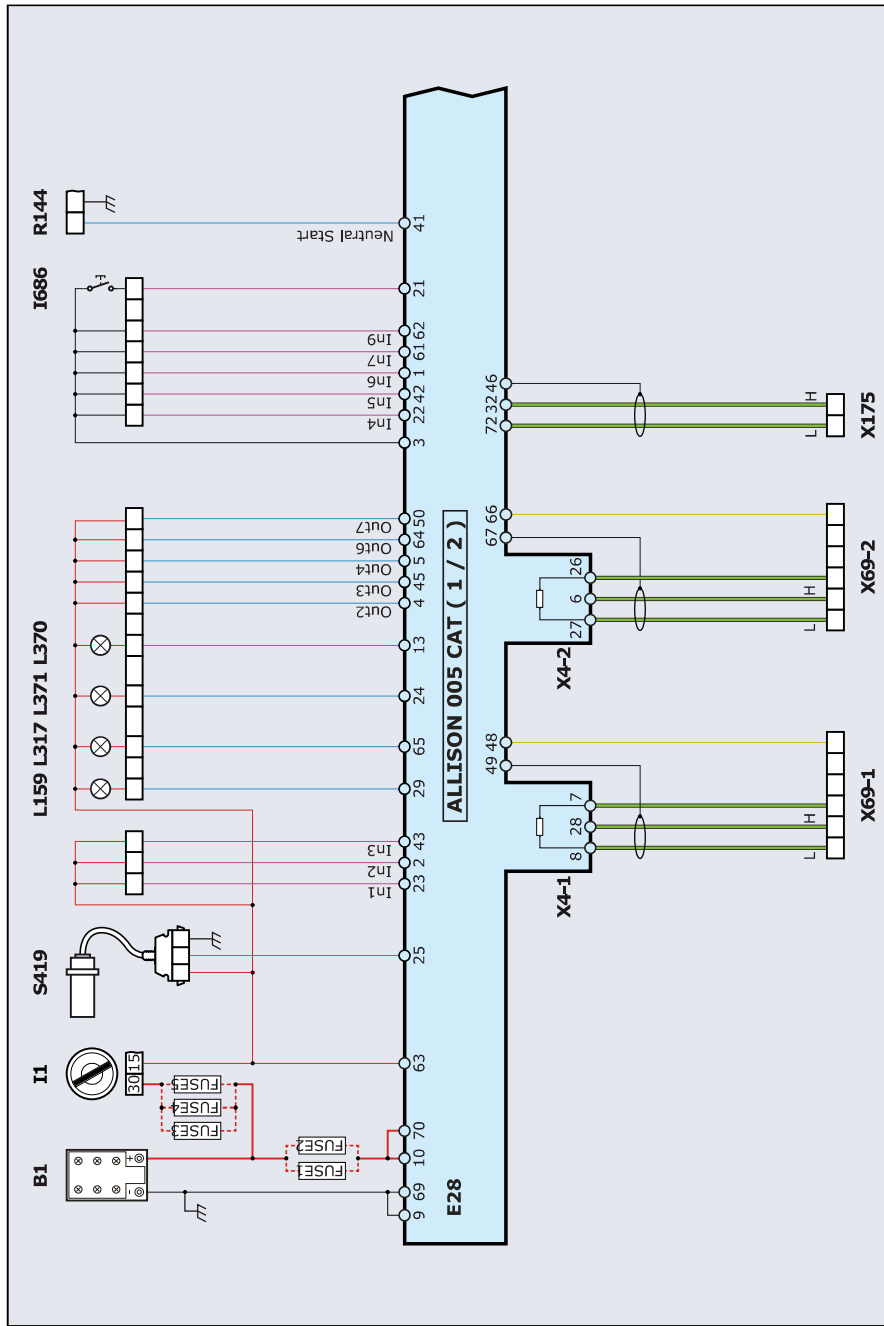
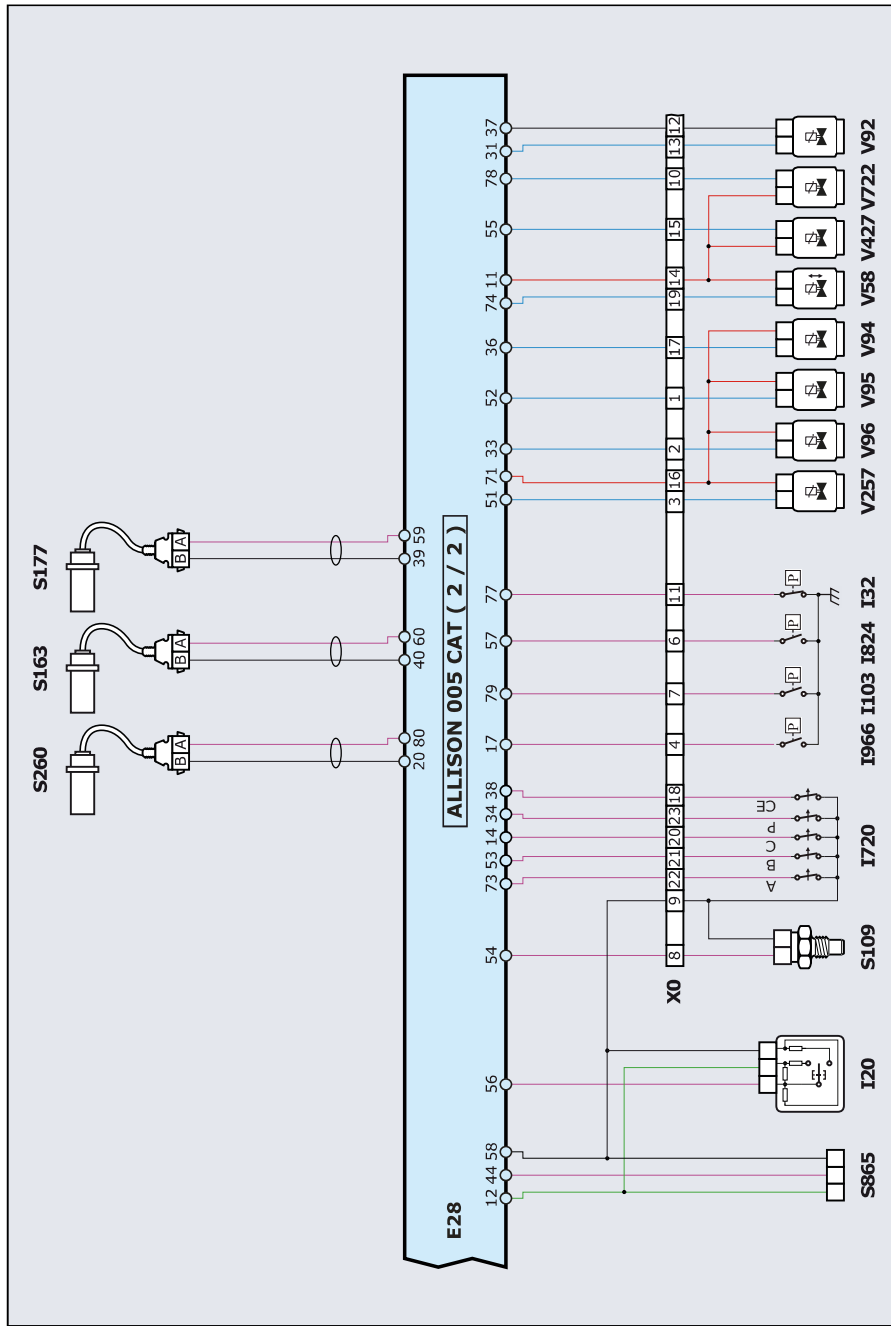


Heavy & Medium Duty/HINO/L / XL Series/---/--/  
Allison/1000-2000/Generation 5/-/-



Heavy & Medium Duty/HINO/L / XL Series/---/---/  
Allison/1000-2000/Generation 5/-/-

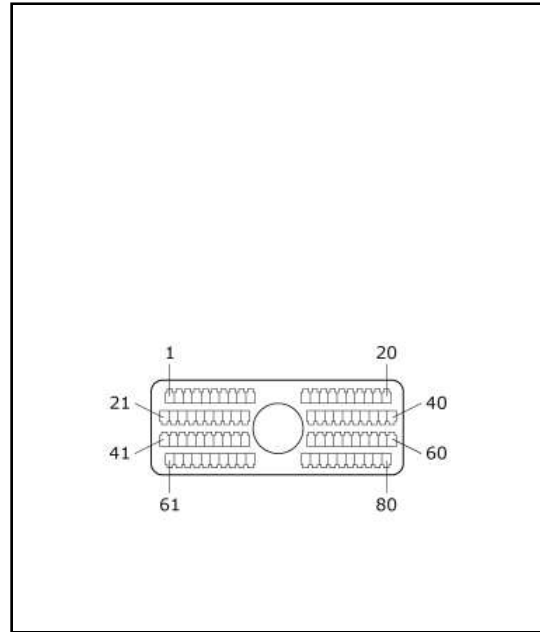


**Heavy & Medium Duty/HINO/L / XL Series/---/--/  
Allison/1000-2000/Generation 5/-/-**

**Component list**

B1	Starting battery
E28	Automatic transmission control unit
FUSE1	15 A fuse
FUSE2	15 A fuse
FUSE3	5 A fuse
FUSE4	10 A fuse
FUSE5	15 A fuse
I1	Ignition Switch
I103	Multidisk 2 clutch oil pressure switch
I20	Switch
I32	Transmission oil low pressure circuit switch
I686	ABS mode selection switch
I720	Shift position switch assembly
I824	Multi-disk clutch 3 oil pressure switch
I966	Multi-disk clutch 1 oil pressure switch
L159	Transmission fault warning light
L317	Reverse gear warning light
L370	Transmission maintenance warning light
L371	Range engagement inhibition warning light
PS	The dotted connections may not be present
R144	Neutral position relay
S109	Transmission fluid temp. sensor
S163	Transmission output shaft speed (rpm) sensor
S177	Transmission input shaft speed sensor
S260	Torque converter turbine speed (rpm) sensor
S419	Vehicle speed sensor
S865	Accelerator sensor
V257	Gear engagement solenoid valve 1
V427	Multi-disk clutch 4 engagement solenoid valve
V58	Transmission fluid circuit solenoid valve
V722	Multi-disc clutch 6 engagement solenoid valve
V92	Torque converter clutch actuator solenoid valve
V94	Multi-disk clutch solenoid valve 1
V95	Multi-disk clutch solenoid valve 2
V96	Multi-disk clutch solenoid valve 3
X0	Interconnection plug
X175	CAN connector
X4-1	Termination resistance connector
X4-2	Termination resistance connector
X69-1	Connector J1939
X69-2	Connector J1939

**Heavy & Medium Duty/HINO/L / XL Series/---//--/  
Allison/1000-2000/Generation 5/-/-**



Control unit side connector pinout