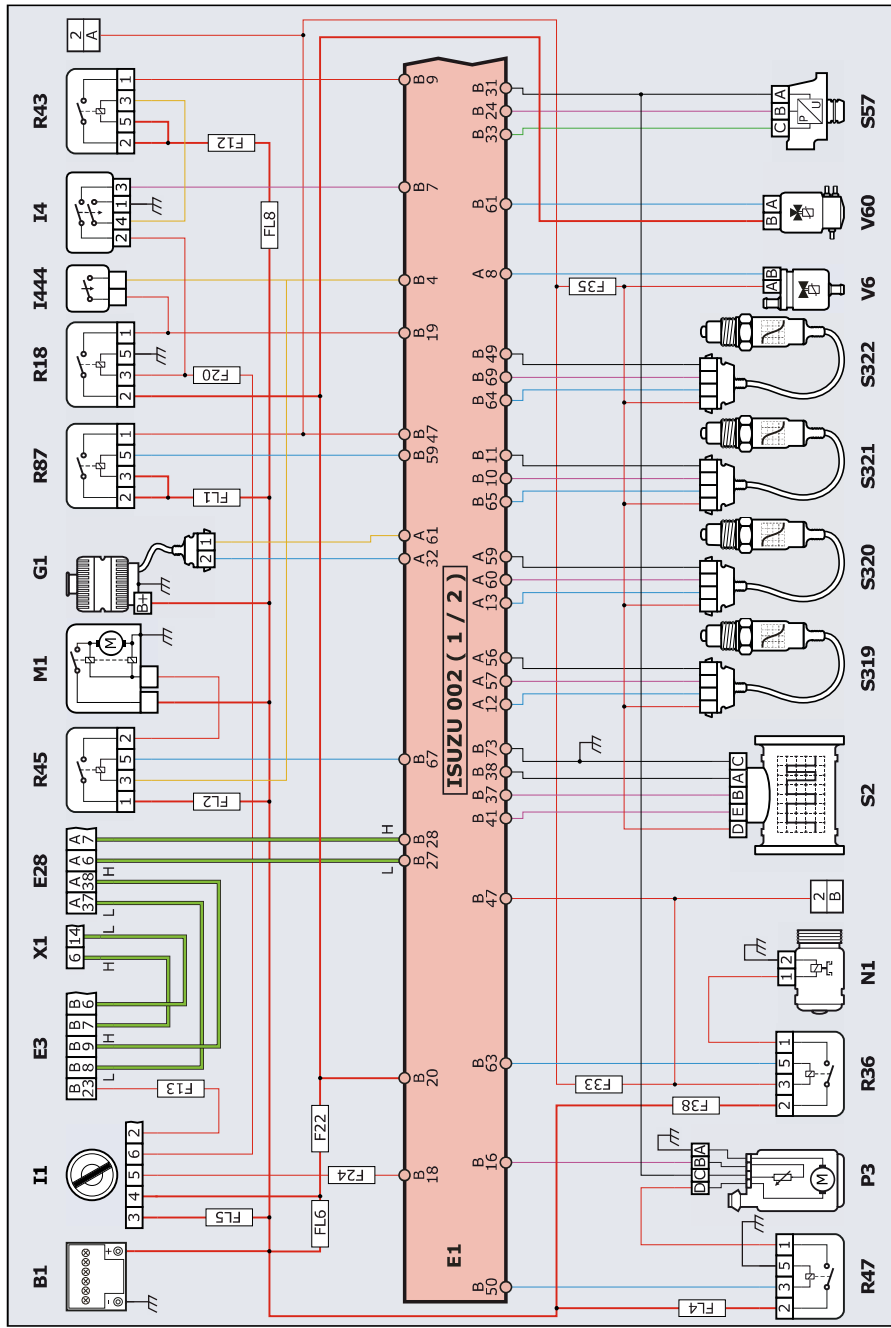
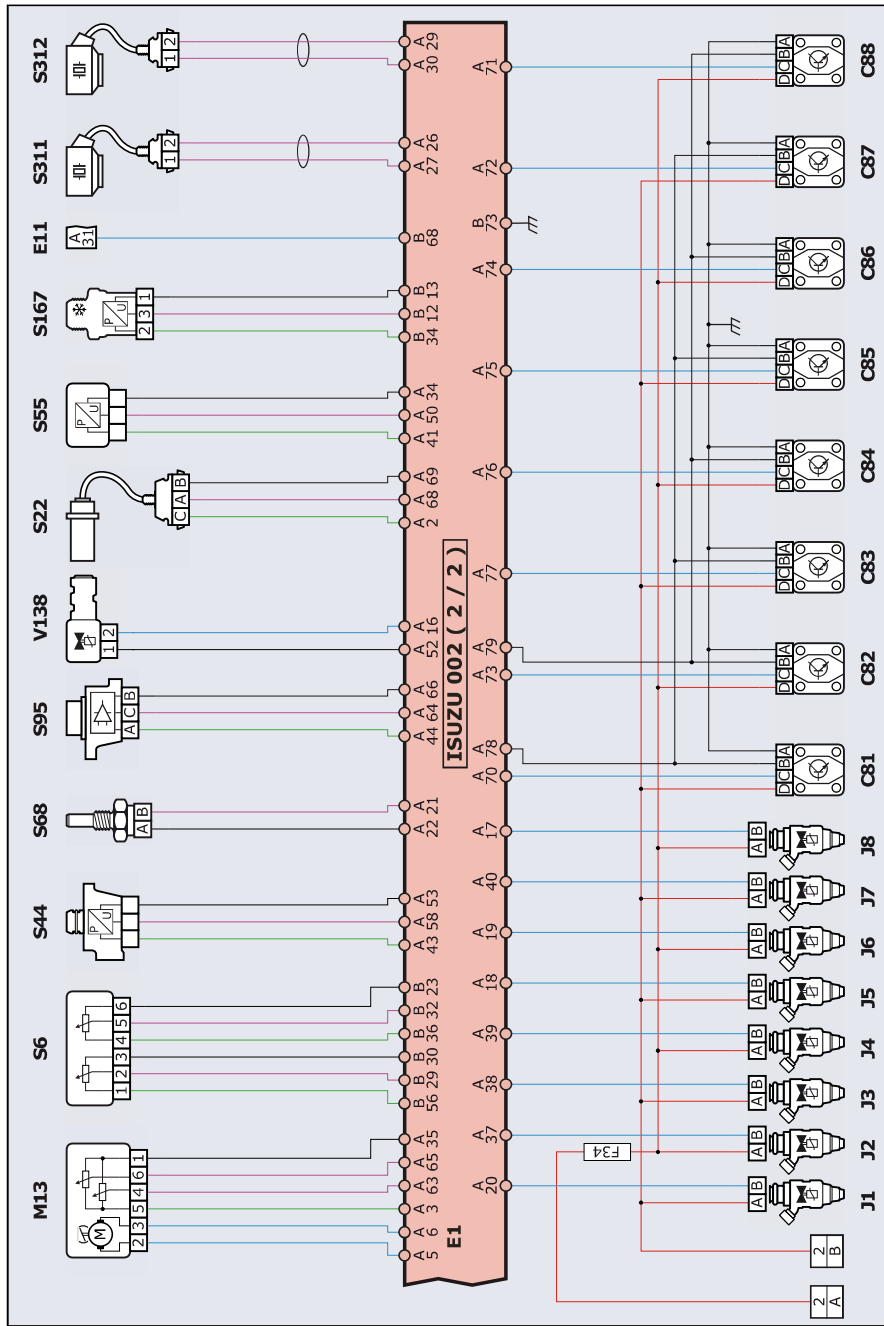


Heavy & Medium Duty/ISUZU (North America)/N Series/6.0 Gasoline//--/[2009]  
Isuzu/-/-/-/-



Heavy & Medium Duty/ISUZU (North America)/N Series/6.0 Gasoline//--/[2009]  
Isuzu/-/-/-/-



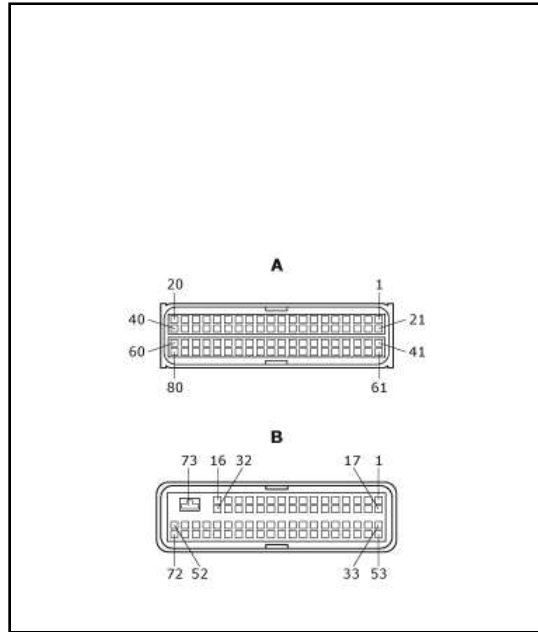
**Heavy & Medium Duty/ISUZU (North America)/N Series/6.0 Gasoline/--/[2009]  
Isuzu/--/--**

**Component list**

B1	Starting battery
C81	Cylinder 1 transistorized coil-near-plug
C82	Cylinder 2 transistorized coil-near-plug
C83	Cylinder 3 transistorized coil-near-plug
C84	Cylinder 4 transistorized coil-near-plug
C85	Cylinder 5 transistorized coil-near-plug
C86	Cylinder 6 transistorized coil-near-plug
C87	Cylinder 7 transistorized coil-near-plug
C88	Cylinder 8 transistorized coil-near-plug
E1	Engine management control unit
E11	Instrument panel control unit
E28	Automatic transmission control unit
E3	Body computer
F12	10 A fuse
F13	10 A fuse
F20	10 A fuse
F22	10 A fuse
F24	15 A fuse
F33	20 A fuse
F34	20 A fuse
F35	20 A fuse
F38	10 A fuse
FL1	40 A fuse
FL2	60 A fuse
FL4	30 A fuse
FL5	40 A fuse
FL6	30 A fuse
FL8	30 A fuse
G1	Alternator
I1	Ignition Switch
I4	Brake light switch
I444	Gear shift P N position switch
J1	Cylinder 1 magnetic injector
J2	Cylinder 2 magnetic injector
J3	Cylinder 3 magnetic injector
J4	Cylinder 4 magnetic injector
J5	Cylinder 5 magnetic injector
J6	Cylinder 6 magnetic injector
J7	Cylinder 7 magnetic injector
J8	Cylinder 8 magnetic injector
M1	Starter motor
M13	Intake manifold throttle control motor with dual potentiometer
N1	Compressor clutch engagement magnet

P3	Fuel pump with level sensor
R18	Transmission ECU relay
R36	Compressor clutch engagement relay
R43	Stop lights relay
R45	Starter motor relay
R47	Fuel pump relay
R87	Main relay
S167	Refrigerant pressure sensor
S2	Digital air mass meter
S22	Hall effect speed sensor
S311	Knock sensor, bank 1
S312	Knock sensor, bank 2
S319	Heated oxygen sensor upstream of the catalyst - bank 1
S320	Heated oxygen sensor upstream of the catalyst - bank 2
S321	Heated oxygen sensor downstream the catalyst, bank 1
S322	Heated oxygen sensor downstream the catalyst, bank 2
S44	Intake air pressure sensor
S55	Oil pressure sensor
S57	Evaporative emissions pressure sensor
S6	Accelerator dual potentiometer
S68	Coolant temperature sensor
S95	Camshaft position Hall sensor
V138	Camshaft rotation adjustment solenoid valve
V6	Evaporative emission purge solenoid valve
V60	Canister bypass solenoid valve (EVAP)
X1	Diagnostic socket

**Heavy & Medium Duty/ISUZU (North America)/N Series/6.0 Gasoline/--/[2009]**  
**Isuzu/--/--**



Wiring side connector pinout

A = 80

B = 73